

TECHNICAL DATA SHEET

Orbit Soft Close Toilet Seat - TS250S-SF

TAVISTOCK

| NO. | Description | Product Code | Fixings included | Gross Weight |
|-----|------------------------|--------------|------------------|--------------|
| I | Soft Close Toilet Seat | TS250S-SF | YES | 2KG |

Spares Codes:

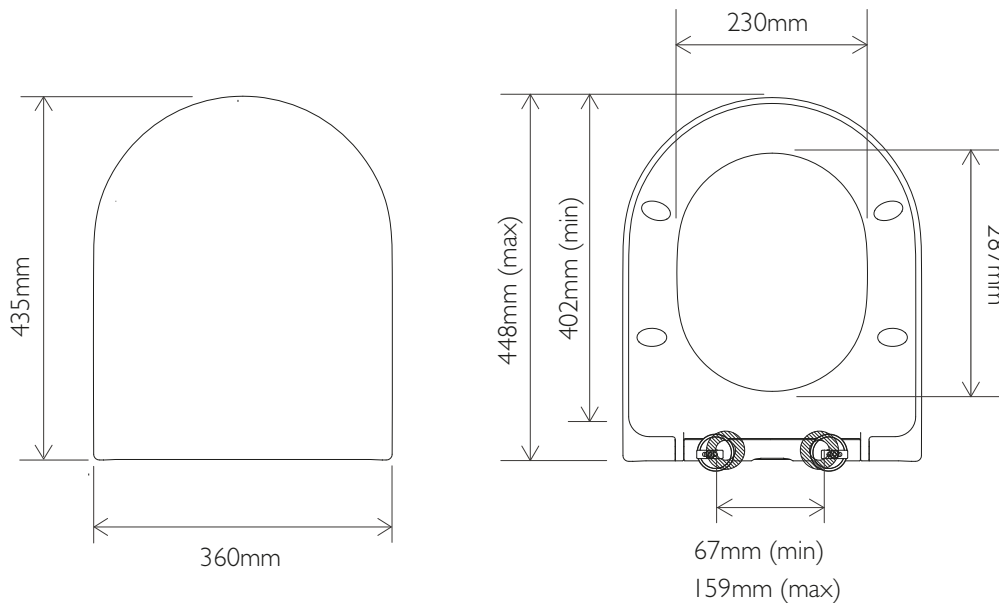
Orbit Hinge Fixing Kit - SPI7018

Orbit Wrap Over Lid Buffer - SPI7019

Orbit Wrap Over Seat Ring Buffer - SPI7020

DIMENSIONS

DIAGRAMS NOT TO SCALE | ALL DIMENSIONS IN MM TOLERANCE OF ± 5MM
ALL PRODUCTS CONFORM TO BRITISH STANDARDS



*Dimensions are subject to change, customers are advised to measure actual product before commencing installation.

FAQs

Q - What's the maximum test load of the seat?

A - 150kg

Q - What are the fixings made from?

A - Stainless Steel Cover Plates/Screws, Nylon Anchor Plates, Rubber Washers, Rubber Fixing Plugs.

Q - What finish are the hinge covers supplied with the seat?

A - Chrome

Q - Can the seat hinges be upgraded to a different finish?

A - Yes using DC4021 (black) or DC4022 (brushed brass)

Q - What colour finish is the seat?

A - Alpine White

| Key Dimensions Descriptions | Key Dimensions (mm) |
|-----------------------------|---------------------|
| Seat/Lid Front to Back | 435mm |
| Seat/Lid Left to Right | 360mm |
| Ring Hole Front to Back | 287mm |
| Ring Hole Left to Right | 230mm |
| Seat Overall Thickness | 37mm |
| Width of Back of Seat | 360mm |