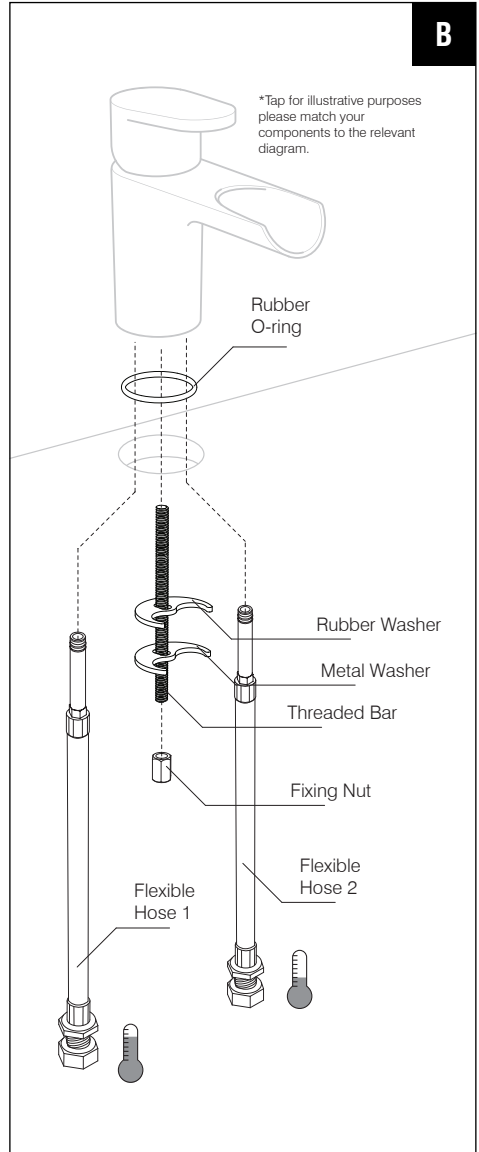
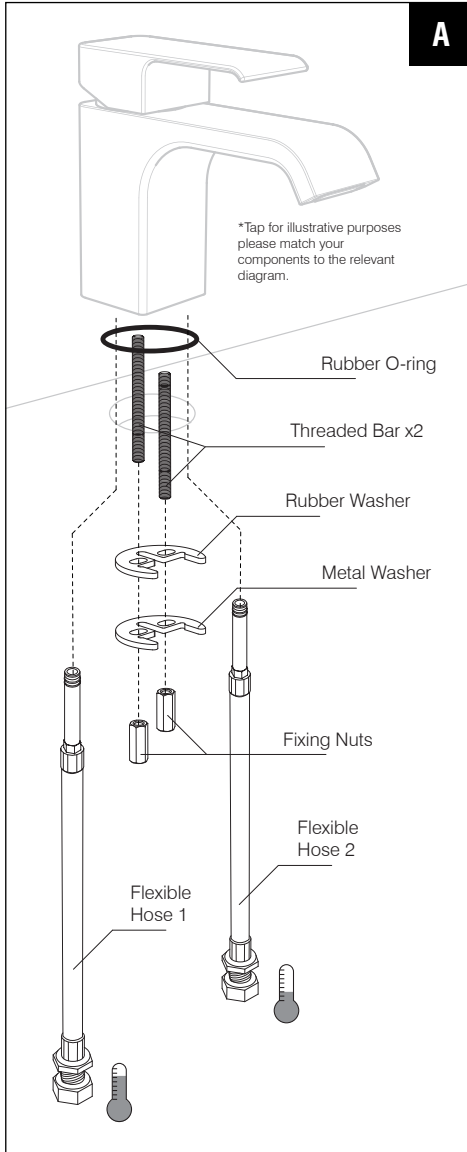


Basin Mixer

INSTALLATION & AFTERCARE INSTRUCTIONS

This guide covers the installation of all basin mixer variants. Please select the installation diagram suited to the basin mixer you have purchased. Taps shown are for illustrative purposes only. Please retain for future reference.

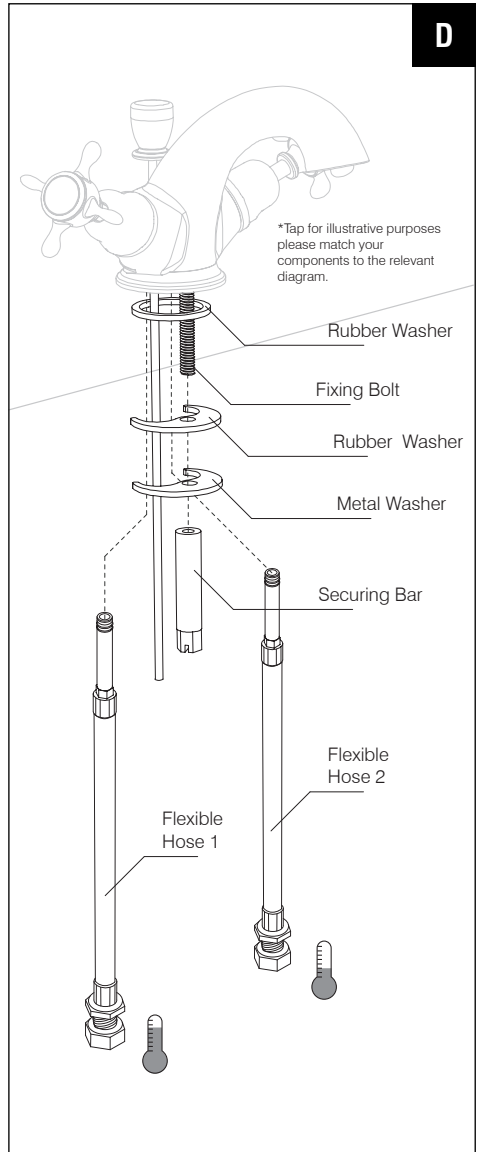
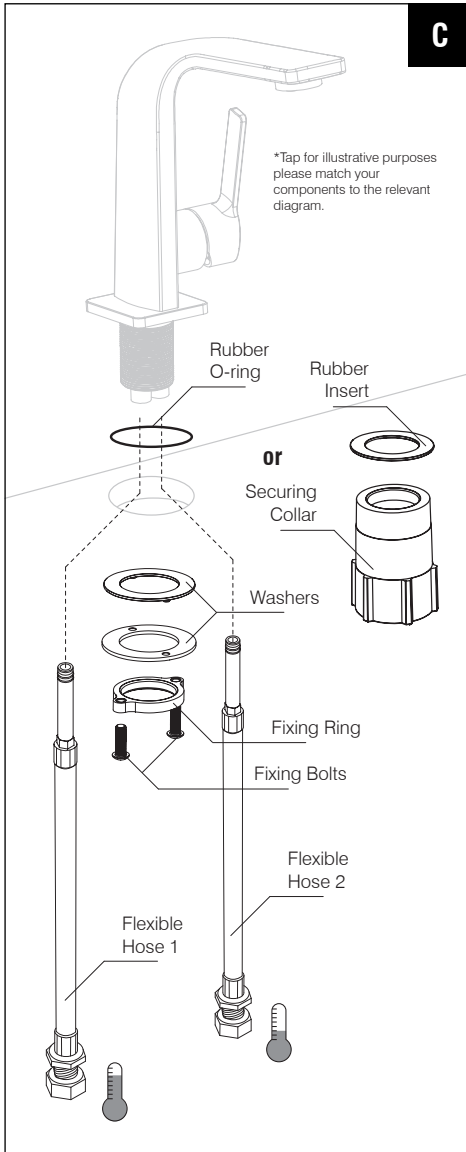
SELECT THE BASIN MIXER BASED ON THE FIXING PACK PROVIDED



- 1 Prior to installation flush out the pipe work to remove debris and then ensure that the water supply is turned off.
- 2 Refer to diagram and check that all components are present.
- 3 Fit the flexible tail hoses to the basin mixer body

Taking care not to cross thread. Tighten by hand using the tail.

- 4 (IF APPLICABLE) Screw the threaded bar(s) into their location inside the mixer body.

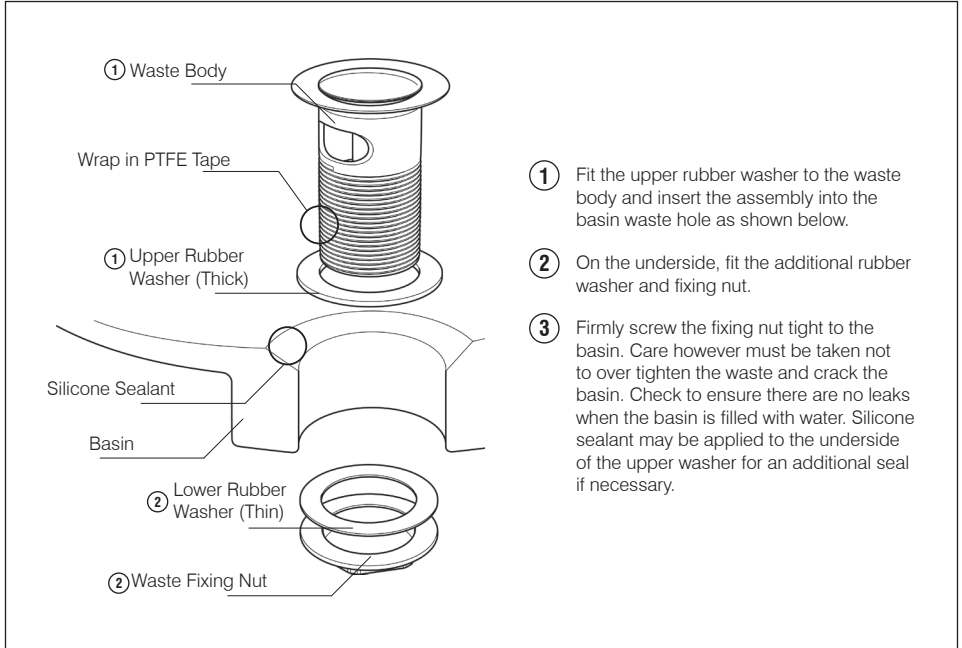


- 5 Fit the mixer body to the basin / bidet using the supplied rubber washer, metal washer and fixing nut in the order indicated in the drawings A to D.
- 6 **DO NOT** over-tighten as this may damage the basin. Remember to install the base plate or rubber o-ring between the basin mixer body & the basin / bidet.
- 7 Connect the water supply to the flexible hoses.

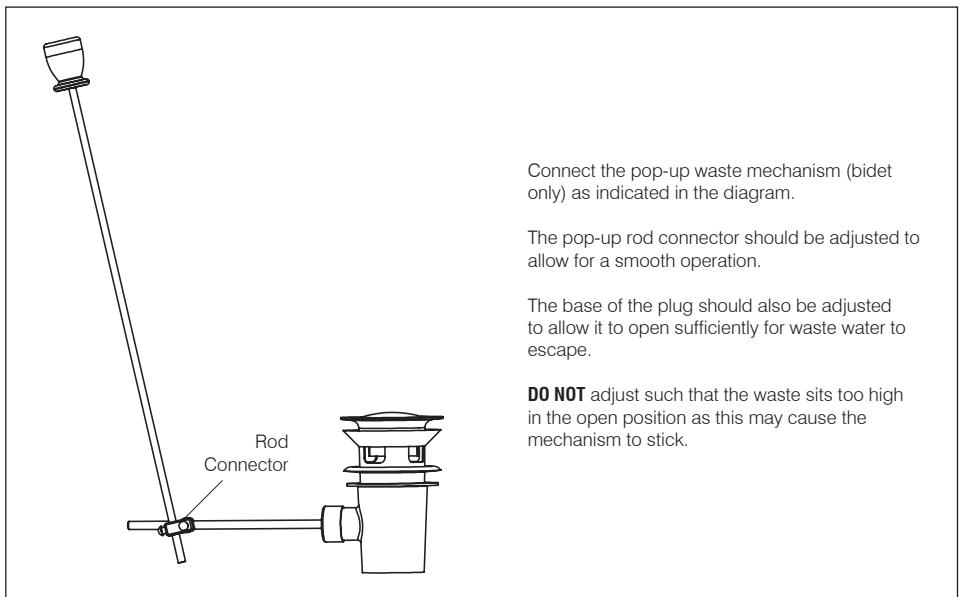
Hot supply should always be connected to the left hose (Flexible hose 1 in the diagram).

- 8 Fully open mixer on both hot & cold sides & allow water to run for approximately one minute to further flush the system.
- 9 Check all connections to ensure there are no leaks.

IF YOUR BASIN MIXER INCLUDES A CLICK WASTE

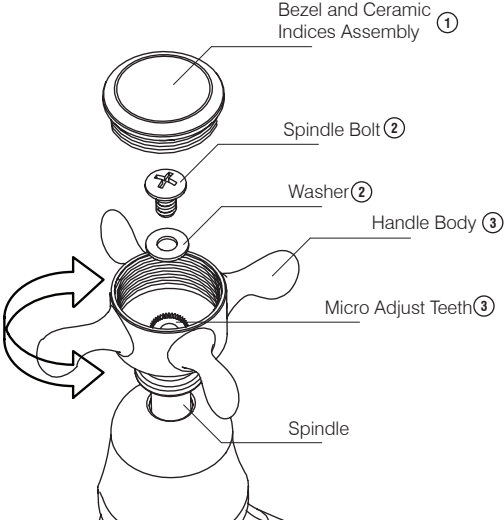


IF YOUR BASIN MIXER INCLUDES A POP UP WASTE



FURTHER INSTRUCTIONS FOR ITEMS WITH CERAMIC INDICES

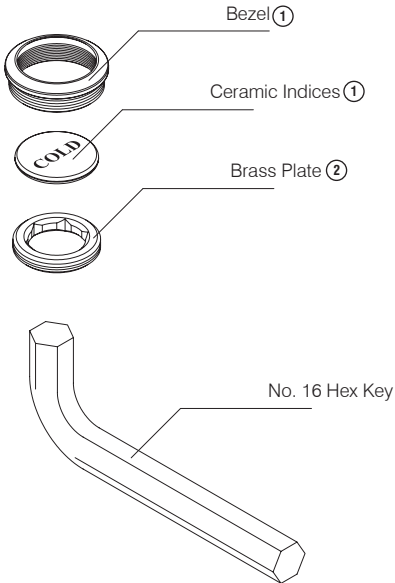
- 1 To adjust the alignment of the handle in relation to the body, unscrew the bezel and ceramic indices from the top of the handle.
- 2 Unscrew the spindle bolt, and set aside with the spindle bolt washer.
- 3 Lift the handle off the spindle and replace at the desired angle using the micro adjustment teeth.
- 4 Re-attach the washer and spindle bolt and tighten.
- 5 Screw the bezel and ceramic indices assembly back onto the handle body.



The diagram shows an exploded view of a tap handle assembly. At the top is the 'Bezel and Ceramic Indices Assembly' (1). Below it is the 'Spindle Bolt' (2) with a 'Washer' (2). The 'Handle Body' (3) is shown with 'Micro Adjust Teeth' (3) on its top surface. The 'Spindle' is at the bottom. Arrows indicate the assembly sequence: the handle body is lifted off the spindle, the spindle bolt and washer are removed, the handle body is rotated, and then the spindle bolt and washer are re-attached, followed by the bezel and ceramic indices assembly.

ADJUSTING CERAMIC INDICES

- 1 To adjust the alignment of the ceramic indices, first unscrew the bezel and ceramic indices assembly from the tap handle.
- 2 The ceramic indices are held in place by a threaded brass plate. Loosen the brass plate with a No. 16 Hex (Allen) Key, but do not remove from bezel.
- 3 Rotate the ceramic indices until the printed logo is at the desired position. You may need to screw the bezel and indices assembly back onto the handle body to check alignment and adjust as necessary.
- 4 When you are happy with the position, re-tighten the brass plate, making sure to hold the ceramic indices still.

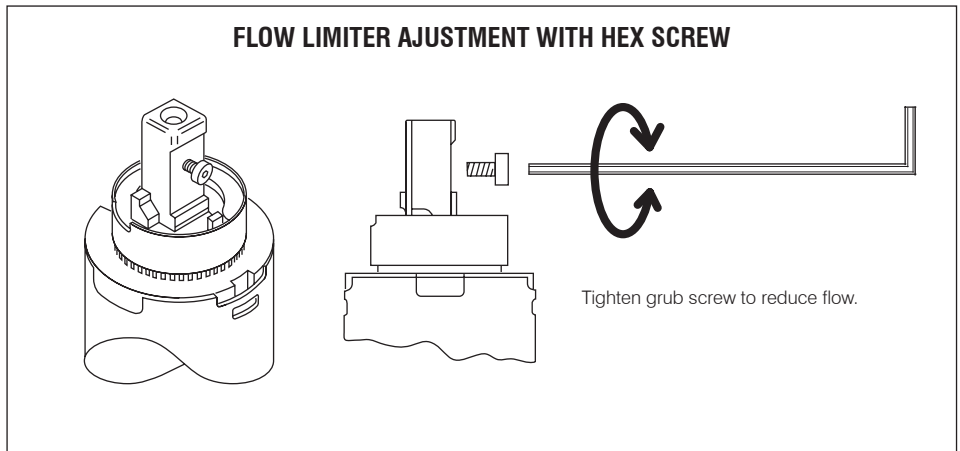
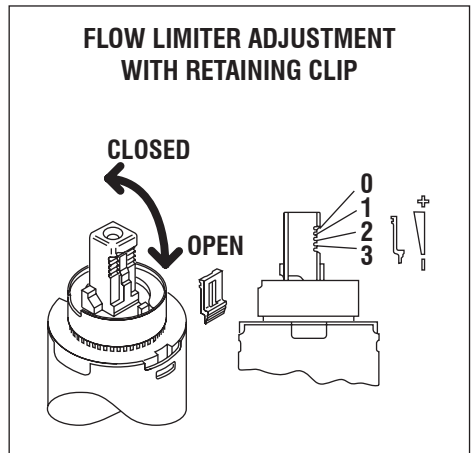
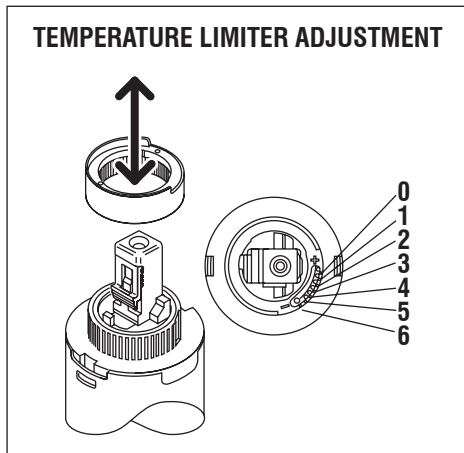


The diagram illustrates the components for adjusting ceramic indices. It shows the 'Bezel' (1) and 'Ceramic Indices' (1) assembly, a 'Brass Plate' (2) with the word 'COLD' printed on it, and a 'No. 16 Hex Key'. The brass plate is shown being loosened from the bezel and ceramic indices assembly.

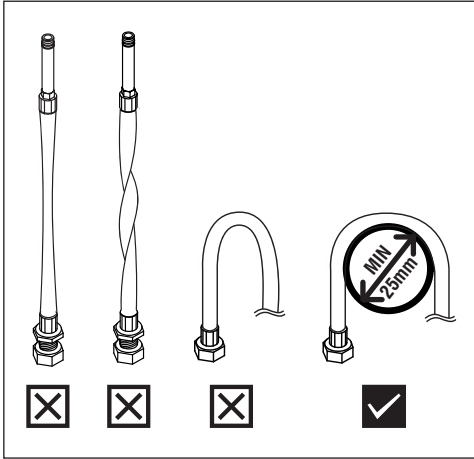
FOR ITEMS WHICH INCLUDE FLOW AND / OR TEMPERATURE LIMITERS

This mixer is fitted with a special cartridge that allows you to limit both the flow rate (should water pressure be too strong) and the hot water temperature (should the temperature be dangerously high). The opportunity to limit temperature is particularly useful if unsupervised young children are using this fitting. Fittings are supplied with both limiters in the fully open position. Should you wish to limit either flow rate or temperature it is first necessary to remove the handle. This is done by loosening the handle grub screw using an allen key. Access the grub screw by removing the rubber bung or lever handle. Adjustments to the flow limiter can now be made. See diagram for reference. To adjust the temperature limiter it is necessary to first unscrew the domed cover cap beneath the handle, then the brass cartridge retaining nut (30mm spanner required). To make adjustments to the temperature limiter lift the purple cover on the cartridge and reposition in the required limiting position. See diagram for reference.

LIMITER POSITION	0	1	2	3	4	5	6
FLOW REDUCTION	0%	5%	12%	25%			
TEMPERATURE REDUCTION	0%	3%	10%	20%	30%	40%	50%

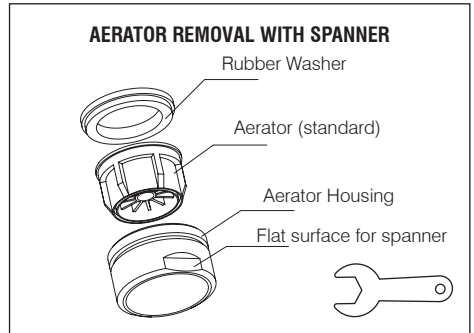
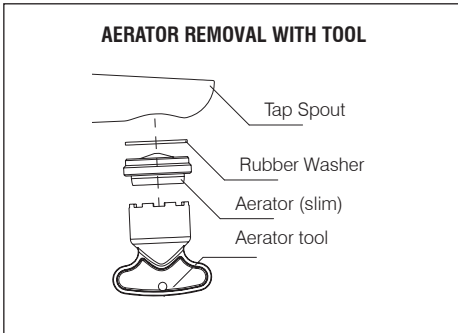


FLEXIBLE HOSE GUIDANCE



REMOVING AERATORS

There are two methods for aerator removal. refer to diagram below.



AFTERCARE INSTRUCTIONS

Whilst this item has a high quality durable finish, it should nevertheless be treated with care. Surfaces should be cleaned using only a soft damp cloth and clean water & dried using a soft cotton cloth. Bath cleaning products, even non-scratch ones could damage the finished surface.

REF: GENBM.AR.09.19 | V2

Customer Services, Brassmill Lane Trading Estate, Bath, BA1 3JF
Tel:01225 303 900