

Technical Data Sheet

Cheltenham 2F Concealed Shower System CH - SMT1611

TAVISTOCK

No.	Description	Code	Fixings Included
1	Cheltenham 2F Concealed Shower System CH	SCM1611	YES



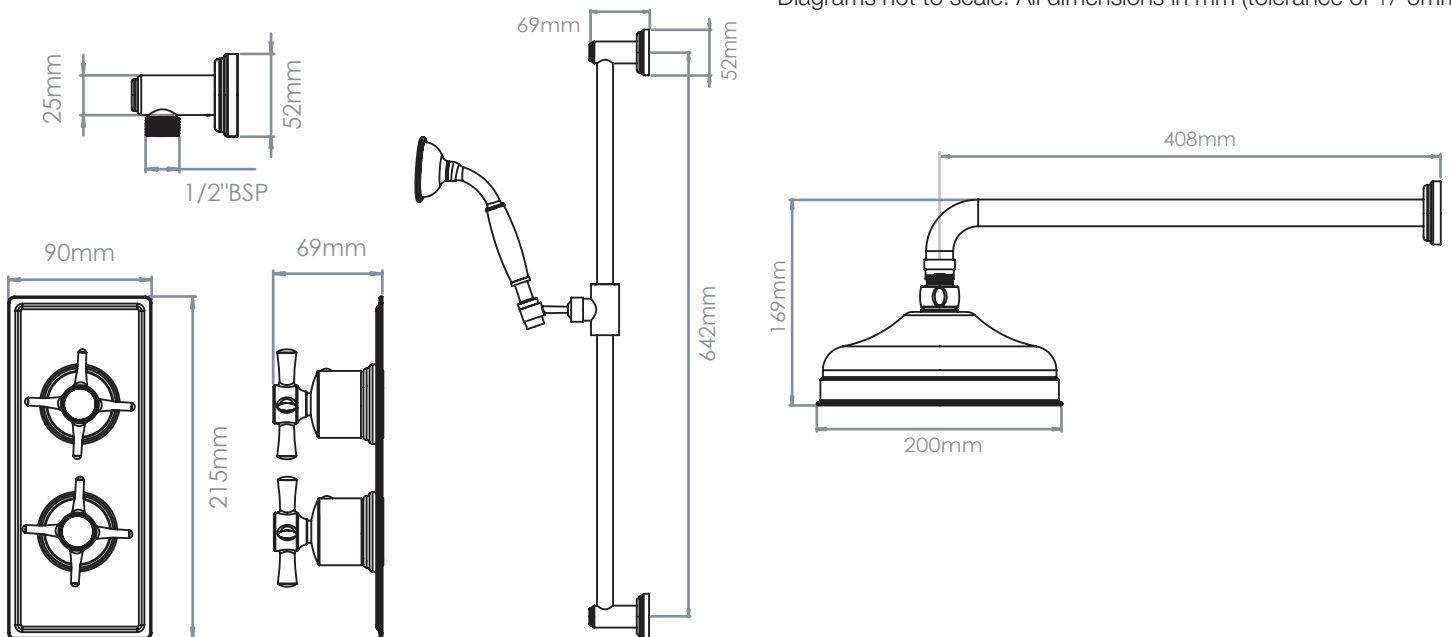
Chrome Plated

FLOW RATE DATA IS TESTED UNDER LABORATORY CONDITIONS: ACTUAL FLOW RATE MAY VARY DEPENDING ON DOMESTIC SUPPLY AND ACCESSORIES

Minimum Pressure:	1BAR
Inlet Pressure	Flow Rate (l/min)
1bar	11.6
2bar	17
3bar	21

Dimensions - SCM1611

Diagrams not to scale. All dimensions in mm (tolerance of +/-5mm)



FAQs

What is the size of the connections? The valve uses 1/2" connections.

Can I have both shower options on at the same time? Yes

What size Pipework do i need? 15mm

Is it suitable for stud walls? It is recommended you use CLS size 89mm depth within the wall

Does the valve include isolation points? Yes

What is the recommended minimum pressure? 1.0bar

Components

- Dual Function Valve - Brass
- Chrome Shower Plate - Brass
- Chrome Valve Handle - ABS
- Riser rail - Brass
- Handset - Brass
- Shower Hose - Stainless Steel
- Wall Elbow - Brass
- Adjustable Fixed arm - Brass
- Shower Head - Brass

Technical Data Sheet

Zone Dual Function Concealed Shower Valve
SZN1611 (Chrome)

TAVISTOCK

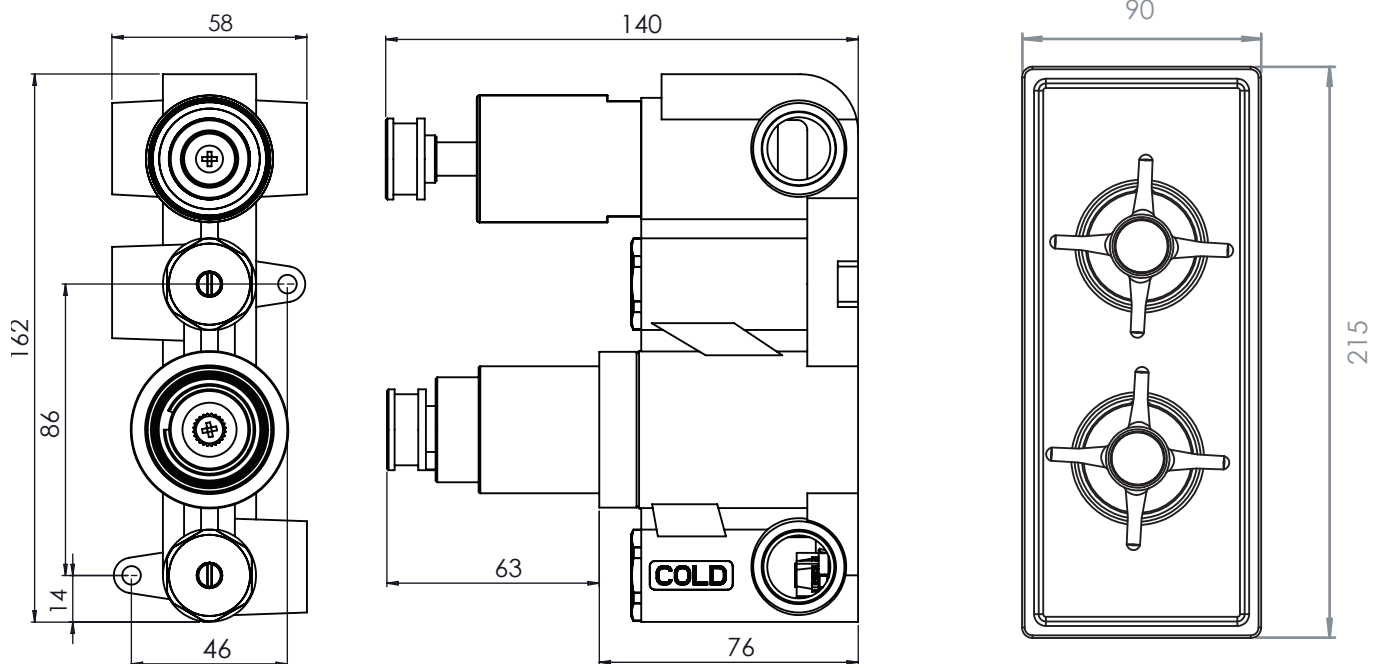
No.	Description	Code	Fixings Included
1	Cheltenham 2F Concealed shower System CH	SCM1612	YES



FLOW RATE DATA IS TESTED UNDER LABORATORY CONDITIONS: ACTUAL FLOW RATE MAY VARY DEPENDING ON DOMESTIC SUPPLY AND ACCESSORIES

Minimum Pressure:	1BAR
Inlet Pressure	Flow Rate (l/min)
1bar	11.6
2bar	17
3bar	21

Dimensions - Overview



FAQs

What is included in the valve box? The valve, a cover plate, a set of handles and trim rings.

What is the size of the connections? The valve uses 1/2" connections.

What is the recommended minimum pressure? 1.0bar

Can both outlets be used at the same time? No, only one outlet can be on at a time

Components

Dual Function Valve - Brass

Valve Cover Plate - Steel

Concealed Valve Handle - ABS