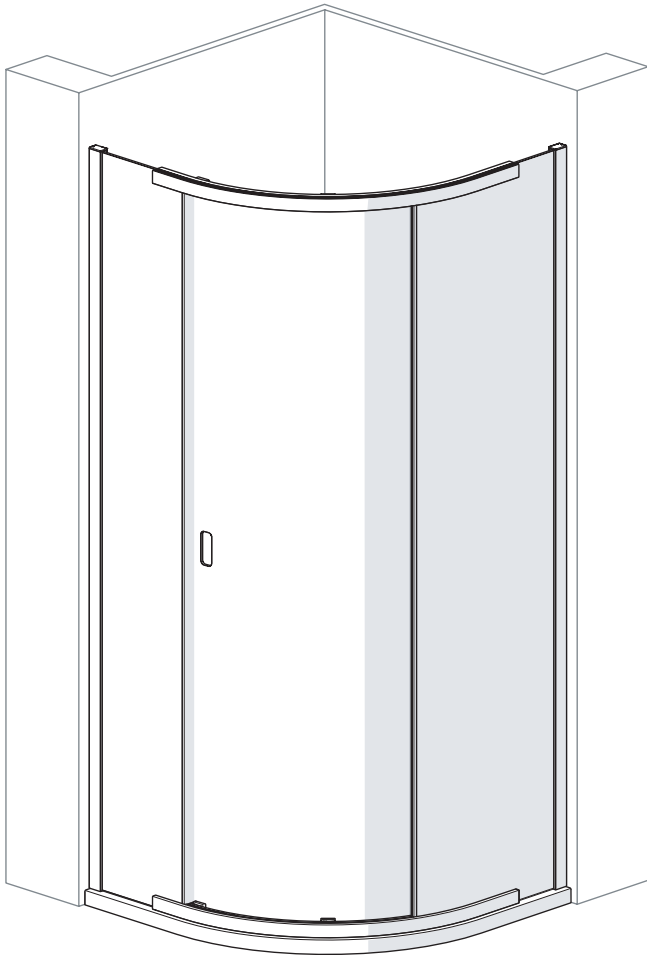


INSTALLATION INSTRUCTIONS - CURVED QUAD

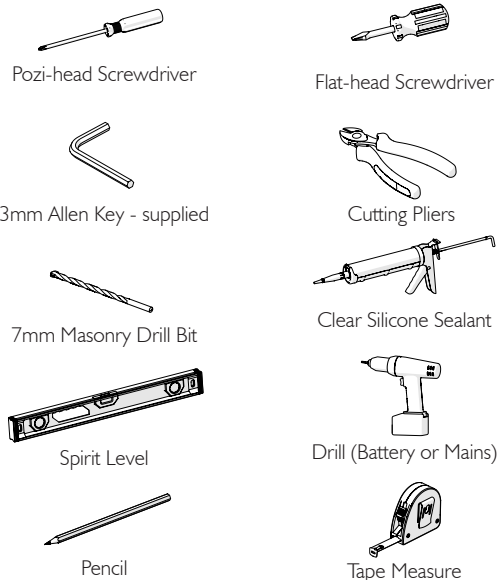
Please read these instructions throughout before installing as incorrect fitting will invalidate the guarantee.
If you are unsure about these instructions please contact Kudos Shower Products 01539 564040.

HEALTH & SAFETY WARNING

DUE TO THE WEIGHT & SIZE OF THE GLASS PANEL(S) A MINIMUM OF TWO PERSONS ARE REQUIRED TO MOVE AND INSTALL THIS ENCLOSURE



Tools Required



Cleaning - General

For the wall post and fixings use only warm soapy water and damp cloth/ sponge on a regular basis. After cleaning please rinse with clean water to remove any residue.

Do not use abrasive scouring powders, chemicals or aerosol cleaners - these may result in damage to the surfaces, in particular, the plated component parts.

Kudos LifeShield Glass Treatment

The glass panels are pre-treated with Life Shield on the inside surfaces only. Whilst this makes cleaning the glass easier and helps prevent the build up of harmful lime-scale and soap deposits, the glass still needs to be maintained on a regular basis. We recommend the use of a detergent and aroma free glass cleaner (A 50/50 mix of white vinegar and water works well).

DO NOT use strong detergents, abrasive cleaners or abrasive scrubbing equipment for cleaning, these can damage the coating.

DO use a squeegee to remove remaining droplets of water from glass after showering, any build up of residue can be removed easily using an appropriate cleaner and agitation from soft cleaning equipment.

Important

Check appearance of all product - any defects must be reported to Kudos Shower Products before assembly/installation. Claims for imperfections will only be accepted prior to assembly/installation.

Any claims made under the terms of the Lifetime Guarantee must be reported to Kudos within 21 days of the fault occurring.

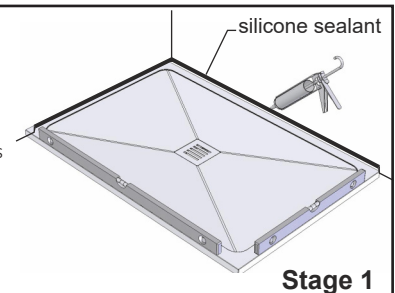
Check the enclosure adjustment sizes are suitable for your installation.

Use care when drilling into the walls to avoid hidden pipes or electric cables.

Shower Tray

Ensure the top of shower tray is LEVEL in ALL directions.

Once the tray is installed but before the wall tiles are fitted, any gap between the tray and the walls must be filled with silicone sealant flush with the top of the tray.



Stage 1

Once the walls have been tiled but before the enclosure is installed, the tiles must be silicone sealed to the tray all of the way around in one continuous bead.

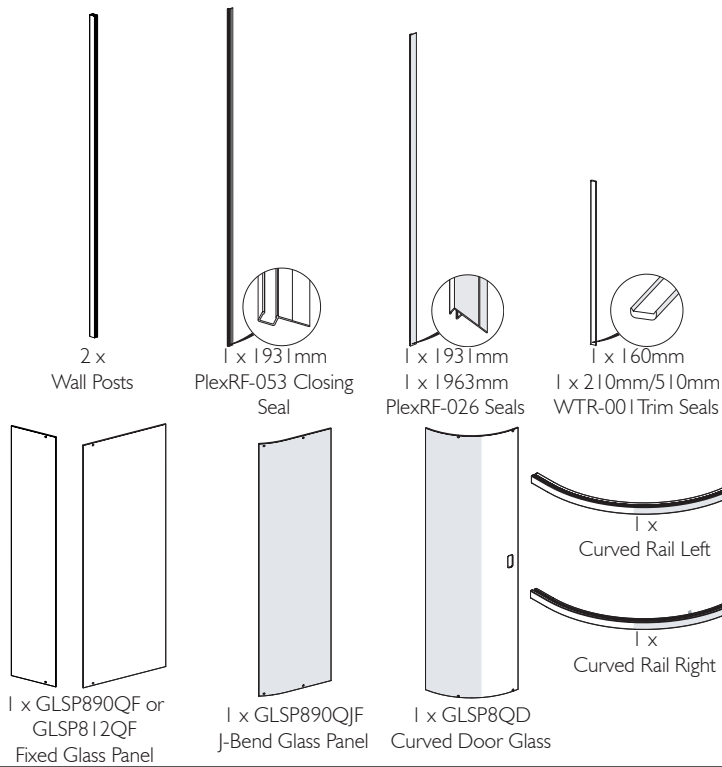
Failure to follow these instructions will result in leakage problems.



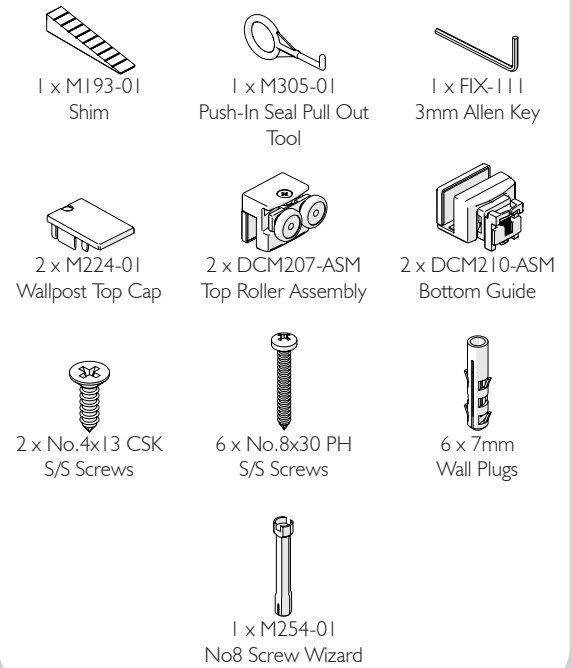
Stage 2

THESE INSTRUCTIONS ARE TO BE LEFT WITH THE CONSUMER

Parts List



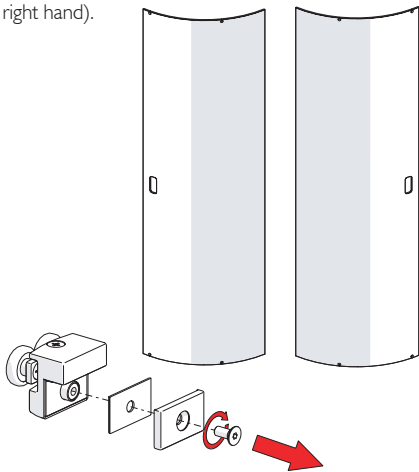
Installation Pack



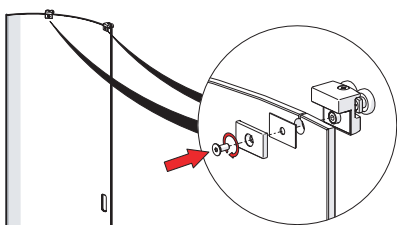
Installation Steps

Step 1 - Determine Opening Side

1. Stand the 'Door Glass' (GLSP8QD) upright, leaning against a wall with the curved face (the outside) coming away from the wall, ensuring all contact corners are protected. Determine if the shower enclosure is to be opening from the left or right (handle will be on the left for left and right for right hand).

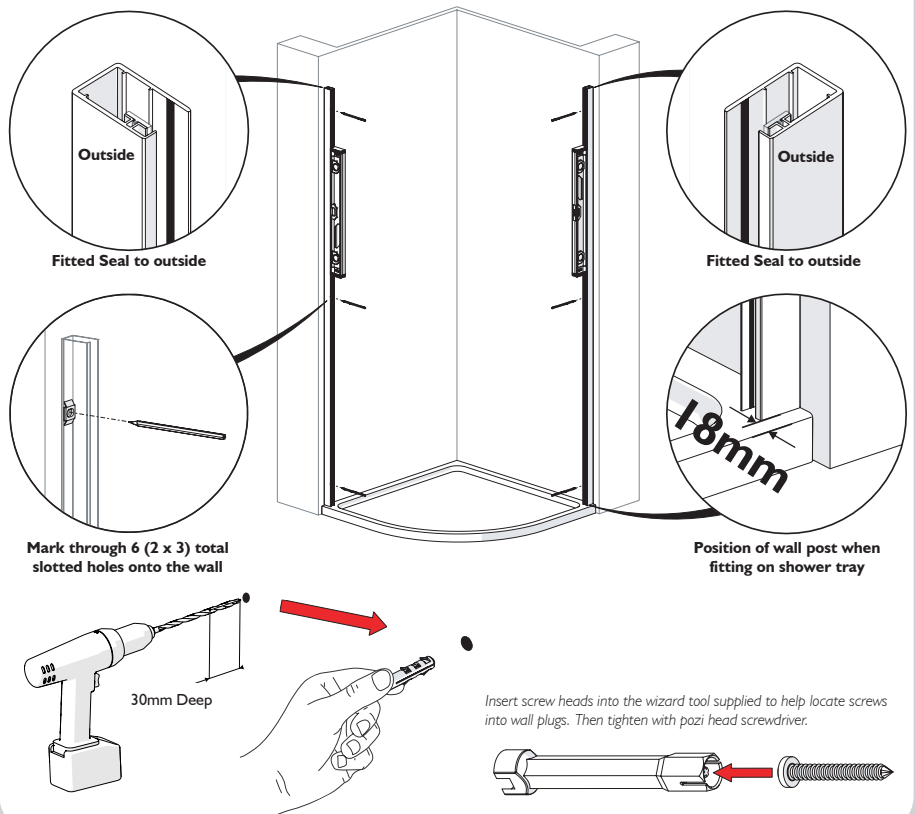


2. Once the 'handing' has been determined, fit the two 'Top Roller Assemblies' to the top corners of the glass, with the wheels facing the outside. To do this, the screw is removed using the 3mm Allen Key and the small casting half and patch pad are placed to the inside of the glass, before the wheel casting and patch are placed to the outside of the glass. The screw is reinserted and tightened.



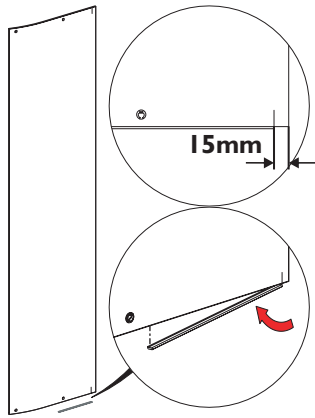
Step 2 - Install Wall Posts

1. Position wall posts 18mm in from front edge of the tray, as shown. Using spirit level to ensure wall post is vertical, mark through 3 slotted holes (6 total) onto wall surface. Remove the posts from the tray, placing safely off to one-side.
2. Using a 7mm masonry drill bit and drill (or appropriate drill bit if drilling tiles), drill six holes using the 'spot' marks, each hole should be 30mm in depth.
3. Insert the six '7mm Wall Plugs' into the six holes. Fix wall post using 3x No.8 x 30mm long screws provided. Tighten all screws using pozi-head screwdriver.
4. Repeat for other wall post.



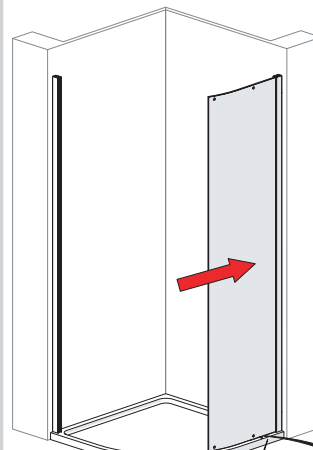
Step 3 - Add Trim to J-Bend Panel

1. Take note of label on glass **This surface to outside'** this will determine which is the bottom edge of your installation.
2. Use 160mm Trim Seal.
3. Peel off a small length of the bottom trim adhesive tape and apply to bottom of glass panel 15mm from the end as shown. Continue along length of trim, peeling away the tape as you go, until the full trim length is adhered to the panel.

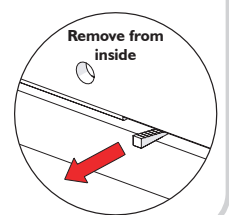
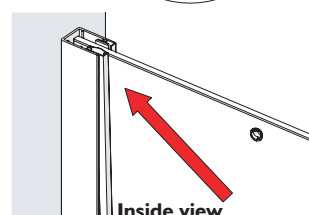
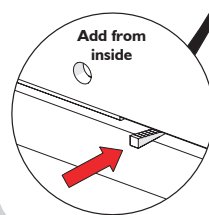
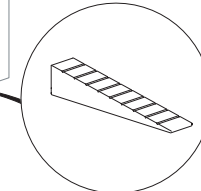


Step 4 - Fit J-Bend Panel Glass and secure Panel using Push-in channel

1. Carefully fit glass panel fully into slot in wallpost, ensuring panel is parallel to tray edge.
2. Acquire the shim from the installation back. Place the shim under the glass so that there is approx. 3-4mm gap underneath the glass panel. Make sure the shim isn't in contact with the Trim seal from step 3. See below.
3. From inside the enclosure, place the push-in channel (black strip towards glass) against the glass. At this stage don't need to fully insert. Insert 1/4 at the top to secure glass panel whilst installing.
4. Now **remove** the shim as the push-in channel will hold the glass in position.

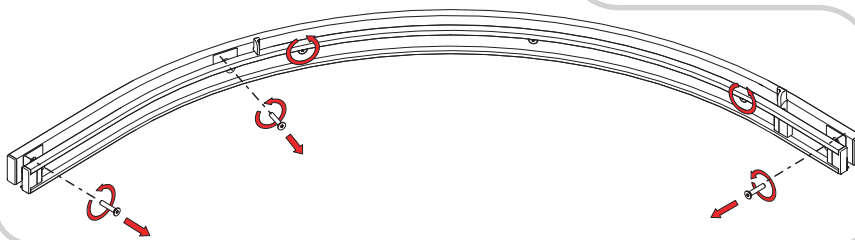


Push-in channel can be removed, if necessary, by inserting tool (M305-01) supplied to pull the channel out at top.



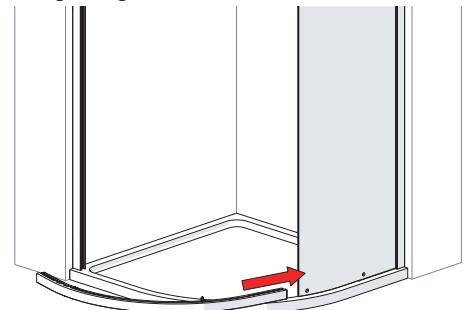
Step 5 - Select Rail for bottom

1. The rails are handed to suit both left hand and right hand access. Select the correct rail for fitting to bottom.
2. Remove the three screws that fix the inner and outer extrusion, as shown below.
3. Very lightly loosen the mid-rail outer screws, as shown below. Do not remove, or loosen too much that the screws could self remove.

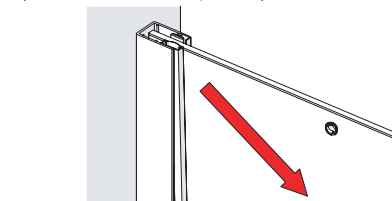


Step 6 - Fit Bottom Rail to J-Bend Panel

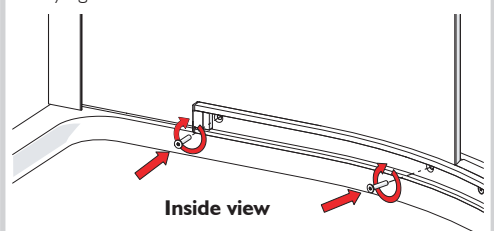
1. Carefully slide the dis-assembled rail from step 5 underneath and along the glass panel until the mid-rail endcaps abuts the glass panel edge. Line up the 2 holes on the rail with 2 holes on the glass. Be careful not to dislodge any glass patches on the rail with the J-Bend Panel glass edge.



2. Remove push-in channel using the M305-01 provided. So that the J-Bend panel sits on the rail.



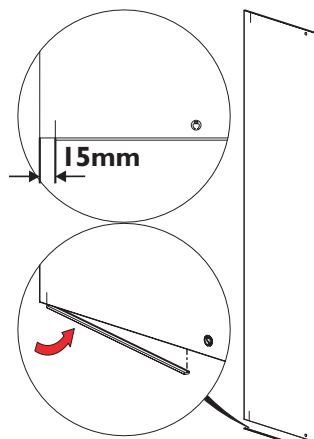
3. Lightly re-insert 2 of the 3 screws removed previously, as shown below from the inside. Do not fully tighten.



4. Re-insert push-in channel, like step 4.

Step 7 - Add Trim to Fixed Panel

1. Take note of label on glass **This surface to outside'** this will determine which is the bottom edge of your installation.
2. Use 210mm (for 900x900 unit) / 510mm (for 1200x900 unit) Trim Seal depending on which Unit you're installing.
3. Like step 3, peel off a small length of the bottom trim adhesive tape and apply to bottom of glass panel 15mm from the end as shown. Continue along length of trim, peeling away the tape as you go, until the full trim length is adhered to the panel.



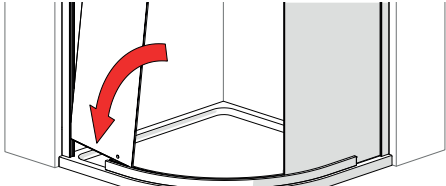
Step 8 - Prepare Top Rail

1. Remove the three screws that fix the inner and outer extrusion, as shown below.
2. Very lightly loosen the mid-rail outer screws, as shown below. Do not remove, or loosen too much that the screws could self remove.

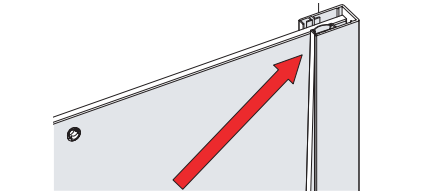


Step 9 - Fit Fixed Panel Glass

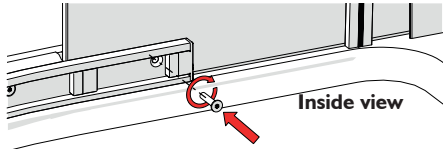
1. Carefully lift and fit glass panel into slot in wall post and slot in the bottom rail, ensuring panel is parallel to tray edge. Make sure hole rail matches up with the hole on the Fixed Panel. Ensure the mid-rail end cap is tight against the edge of the glass panel.



2. From inside the enclosure, place the push-in channel (black strip towards glass) against the glass. At this stage don't need to fully insert. Insert 1/4 at the top to secure glass panel whilst installing.



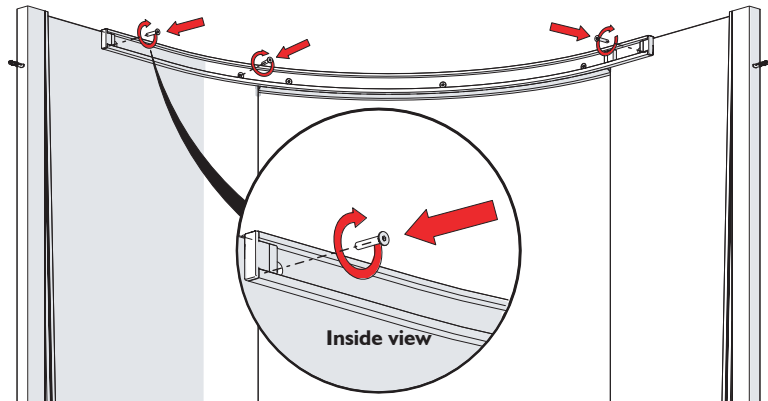
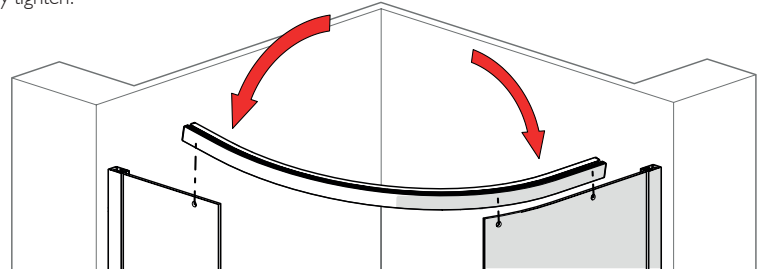
3. Once the hole are lined up lightly re-insert the last remaining screw previously removed, as shown below from the inside. Do not fully tighten.



Step 11 - Fit Top Rail to Glass Panels

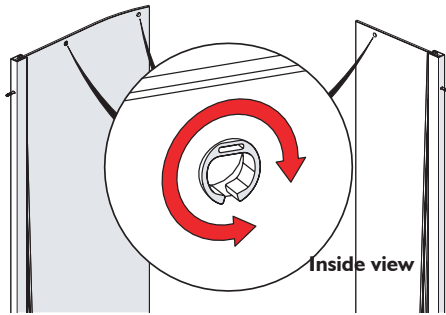
1. Carefully place the dis-assembled rail from step 8 over both Glass Panels. Outer extrusion to be on the outside of the glass, and the inner extrusion to be the inside of the glass. Line up the 2 holes on the rail with 2 holes on the glass on the J-Bend Panel. Make sure hole rail matches up with the hole on the Fixed Panel.

2. Ensure the mid-rail end caps are tight against the edges of the fixed panels. Once the holes are lined up lightly re-insert the 3 screws removed previously, as shown below from the inside. Do not fully tighten.



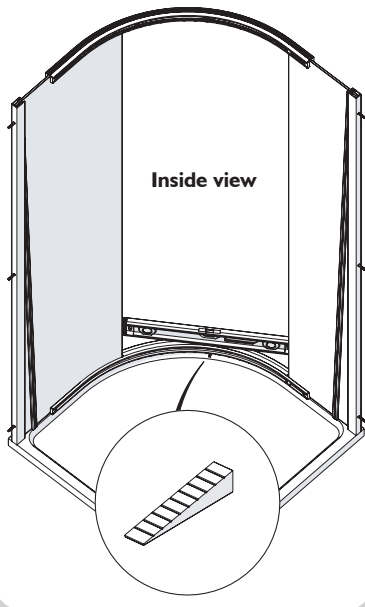
Step 10 - Adjust Panel CAM Rings

1. Using the Flat-head Screwdriver turn the CAM Rings at the top of the fixed panels to the orientation as shown below. Slot to be at the top. CAM rings at the bottom of the fixed panels can be left as they are.



Step 12 - Level Bottom Rail

1. Often shower trays have different angled top faces, in order to help keep the frame supported use the 'Shim (M193-01)' supplied. On the inside of the enclosure measure the gap between the bottom of the rail and top of the tray, select the height required from the shim strip supplied, break off and insert under rail. The shim will be concealed by silicone sealant later.



Step 14 - Fully Insert Push-In Channels

1. Remove the push-in channels previously inserted in step 4 and 9.

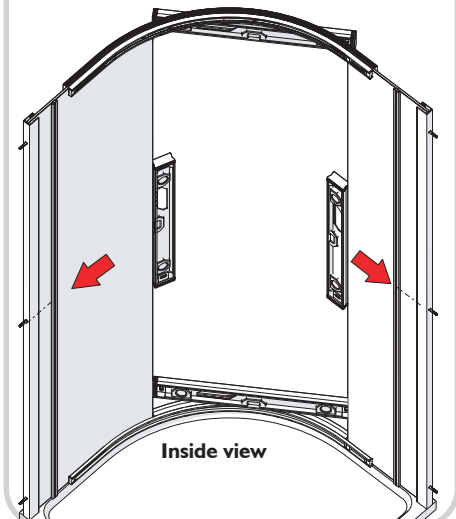
Push-in channel can be removed, by inserting tool (M305-01) supplied to pull the channel out at top.

2. Ensure outer edge of the Glass Panels are vertical, as shown, using spirit level. Make sure the rails are also level.

3. Fully insert the push-in channel (black strip towards glass) against the glass, starting from the bottom, insert into wall posts.

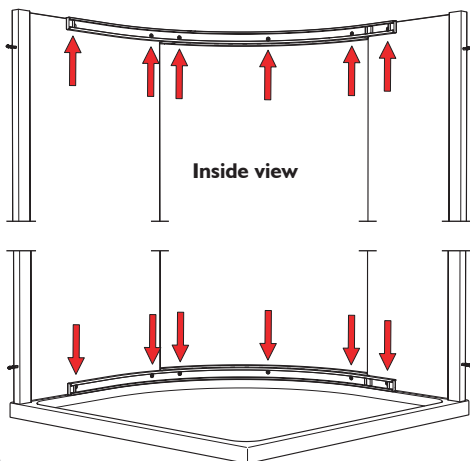
Ensure they are fully inserted so that the channel is flush with the surface of the wall post along the entire height.

Drawn lines on the glass panels should not be visible beyond the wallposts after fitting push-in channels.



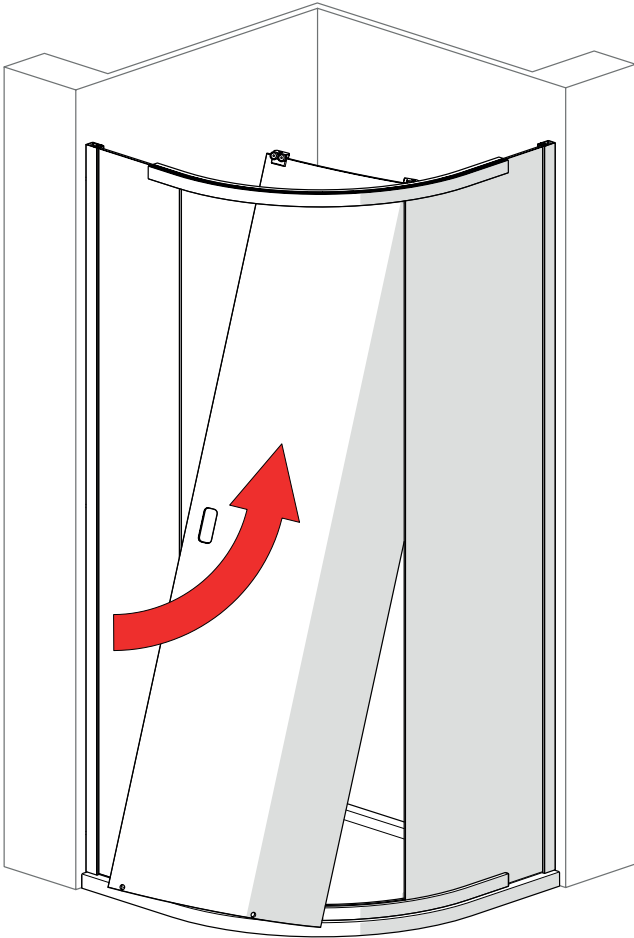
Step 13 - Tighten Screws in Rails

1. Carefully tighten the 6 screws per rail.

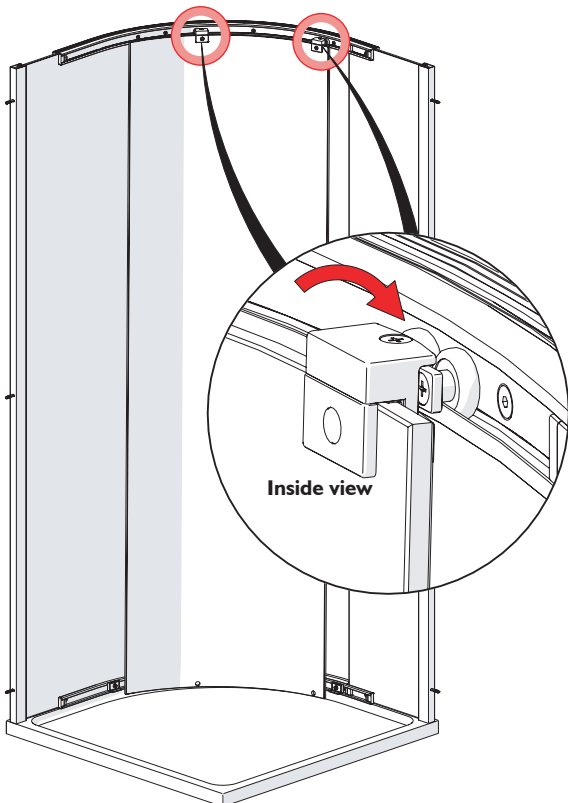


Step 15 - Fit the Door Glass

1. Before fitting the door make sure the top rail is free from debris. Use a lint free cloth to wipe the inside of the rail.
2. **Carefully** lift the door into position.

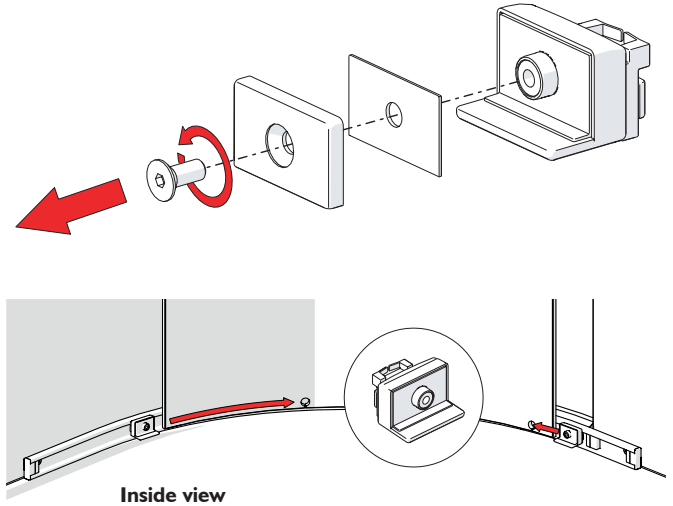


3. Carefully position both sets of wheels assemblies into the running groove in the top rail.

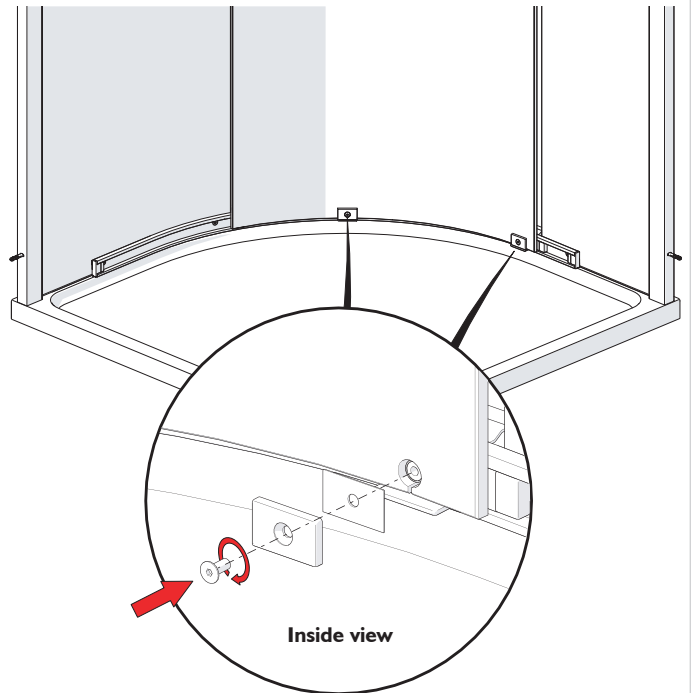


Step 16 - Add the Bottom Guides to Door

1. Disassemble both DCM210-ASM guides. Slide the guides along the rail so that they match up with the holes on the 'hanging' Door Glass.



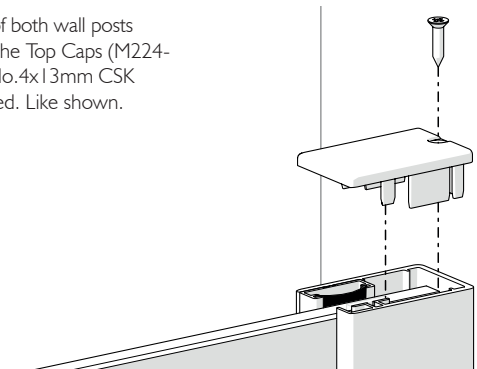
2. Re-insert the removed pads and screws. Use both hands. One to hold the guide and pads in position and the other to re-insert the screw. Ensure the guides are fitted tightly against the bottom edge of the curved sliding door.



*Note: To allow smooth operation of the cast sprung guides, apply Vaseline or appropriate lubricant to inside of the **bottom rail only**.*

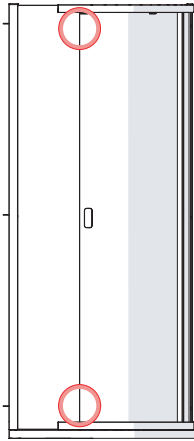
Step 17x - Fit Cover Caps

1. At the top of both wall posts secure and fit the Top Caps (M224-01) with the No.4x13mm CSK screws provided. Like shown.

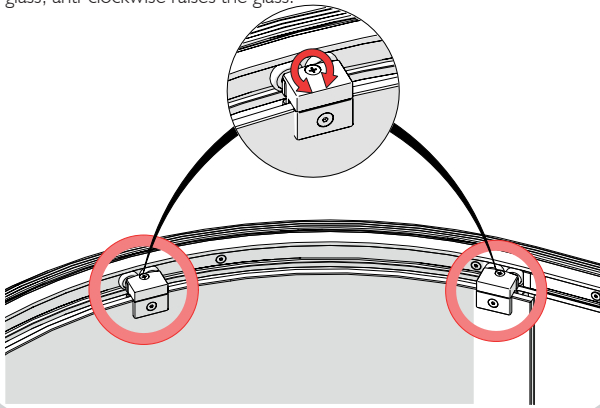


Step 18 - Adjust Door Glass

1. Looking from the outside of the enclosure, slide the door into the closed position. Check the door glass is level with the Straight Fixed Panel down the entirety of its edge.



2. If there is an uneven gap, the glass in the door can be adjusted either up or down at each corner with the rollers. Using a Pozzi-head Screwdriver, loosen or tighten the bolt located on the top of each roller set. Each roller has around 6mm of adjustment, clockwise will lower the glass, anti-clockwise raises the glass.



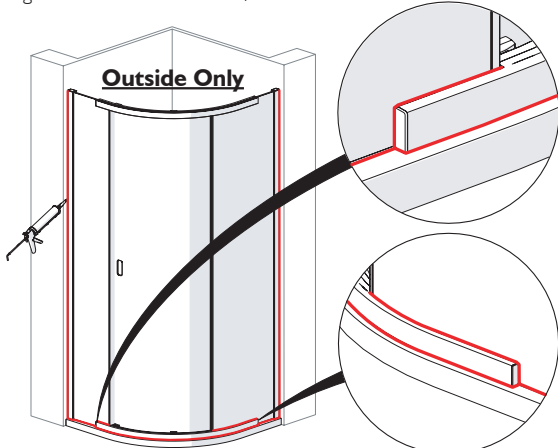
Step 20 - Silicone

1. On the outside, silicone around all three junctions with the wall and tray, and also all the way round the bottom rail. A thick bead of silicone will need to be applied between the curve of the J-bend panel and the rail. On the inside, only silicone along the two vertical junctions with the wall. And along the shim only if used.

Do not silicone seal on the inside of unit (except where shown). Sealing the wall posts & sills to the tray on the inside can result in leakage problems - please note that, in use, water can penetrate into the frame extrusions- this has no detrimental effect to the product- however, this water must be allowed to drain out of the extrusions to the inside. Silicone down the wall posts wall junction.

When installed correctly, Kudos guarantee the enclosure will not leak under normal showering use, ie. when the shower head is in it's normal showering position.

N.B. - Using the shower head to clean/rinse down the enclosure does not constitute normal showering use.

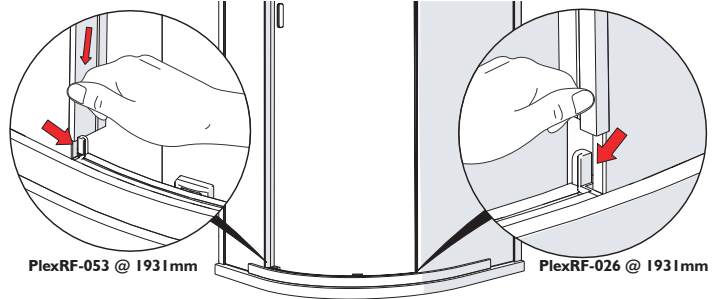


SILICONE ALONG SHIM ONLY

Step 19 - Fit Seal to Fixed Glass Panels

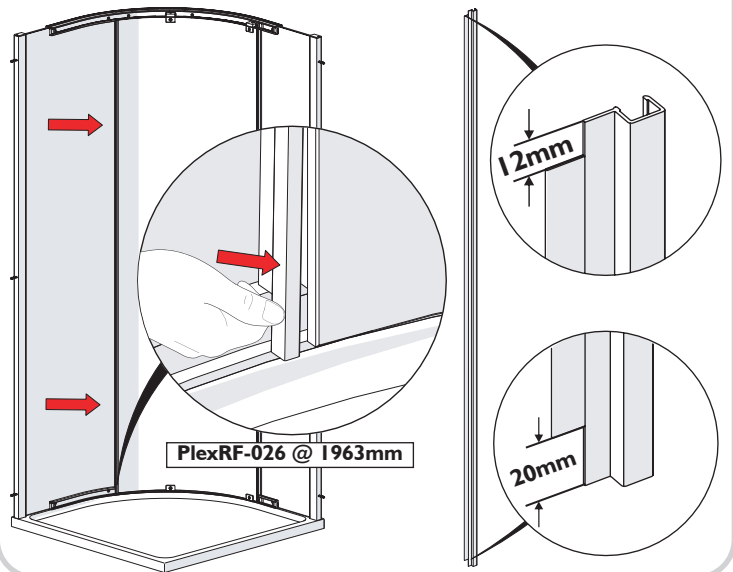
1. Acquire the '1931mm - PlexRF-053 Closing Seal' and fit to the edge of the fixed panel, with the soft 'skirt' facing the inside, in order to contact with the sliding door glass. Fit from bottom to top. Make sure the seal sits inbetween the mid-rail end cap and the panel edge.

2. Acquire the '1931mm - PlexRF-026 Seal' and fit to the edge of the J-Bend Fixed panel, with the soft 'skirt' facing the inside, in order to contact with the sliding door glass. Fit from bottom to top. Make sure the seal sits inbetween the mid-rail end cap and the panel edge.



3. Acquire the '1963mm - PlexRF-026 Closing Seal'. You'll need to notch both ends so that it doesn't catch the rails once fitted to the door glass. Determine which end will be at the top and at the bottom. Cut 12mm from the top and 20mm from the bottom, **only cut the 'soft' plastic**. See below.

4. Use the notched '1963mm - PlexRF-026 Closing Seal' and fit to the edge of the Door Glass (vertical edge furthest away from the handle), with the soft 'skirt' facing the outside, in order to contact with the J-Bend Glass Panel PlexRF-023 seal. Fit from bottom to top like shown.



Step 21 - Wait 24hr

1. Allow 24 hours before using the shower.

