

TECHNICAL DATA SHEET

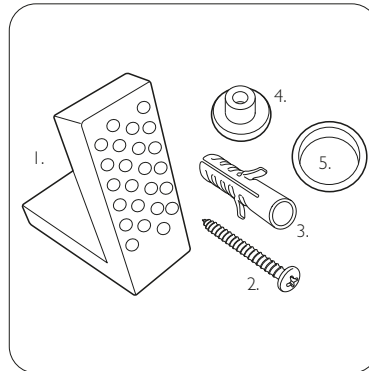
Structure Closed Coupled Open Back WC

TAVISTOCK

NO.	Description	Product Code	Fixings included	Gross Weight
1	Close Coupled Cistern	C450S	YES	13KG
2	Soft Close Toilet Seat	TS450S-SF	YES	3KG
3	Open Back WC	P450S	YES	24KG



Floor Fixings

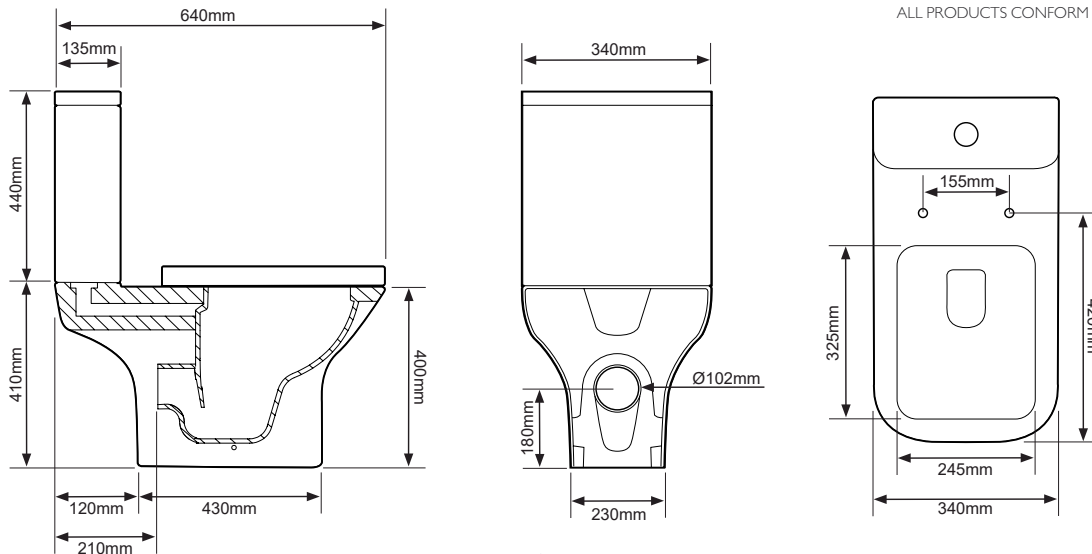


- 1. 2x Nylon Floor Bracket
- 2. 4x Stainless Steel Screws
- 3. 2x Nylon Screw Plugs
- 4. 2x Nylon Screw Collars
- 5. 2x Nylon Collar Caps (Metalic Finish)

Spare Code: SP14211

DIMENSIONS

DIAGRAMS NOT TO SCALE | ALL DIMENSIONS IN MM TOLERANCE OF ± 5MM
ALL PRODUCTS CONFORM TO BRITISH STANDARDS



*Dimensions are subject to change, customers are advised to measure actual product before commencing installation.

**Fixing point dimensions are for guidance only. The positions of fixings must be checked when product is received.

FAQs

Q - Where is the inlet valve?
A - Bottom inlet, back right of the pan.

Q - What is the flush volume?
A - 4.5/3L

Q - Can this pan be used with a side connection outlet pipe?
A - Yes.

Q - Are there any other compatible seats?
A - Yes, TS451S-SF Structure Slim Seat

Q - Rim type?
A - Box rim

Q - What finish is the ceramic glaze?
A - Alpine White

Q - What finish is the flush button supplied with the cistern?
A - Chrome

Q - Can the flush button be upgraded to a different finish?
A - Yes using TR9026 (black) or TR9038 (brushed brass)

Key Dimensions Descriptions	Key Dimensions (mm)
Front to Back Footprint	430mm
Left to Right Footprint	230mm
Bowl Front to Back	325mm
Bowl Left to Right	245mm
Pan Height (+Cistern)	400mm (850mm)
Pan Overall Front to Back	640mm
Centre Waste Outlet to Floor	180mm
Width of Void	155mm
Is there a Ceramic Brace Bar	No
Distance from Spigot to back of Pan	195mm