

# ELISA™

## Wall Outlets



### Installation & Care Guide

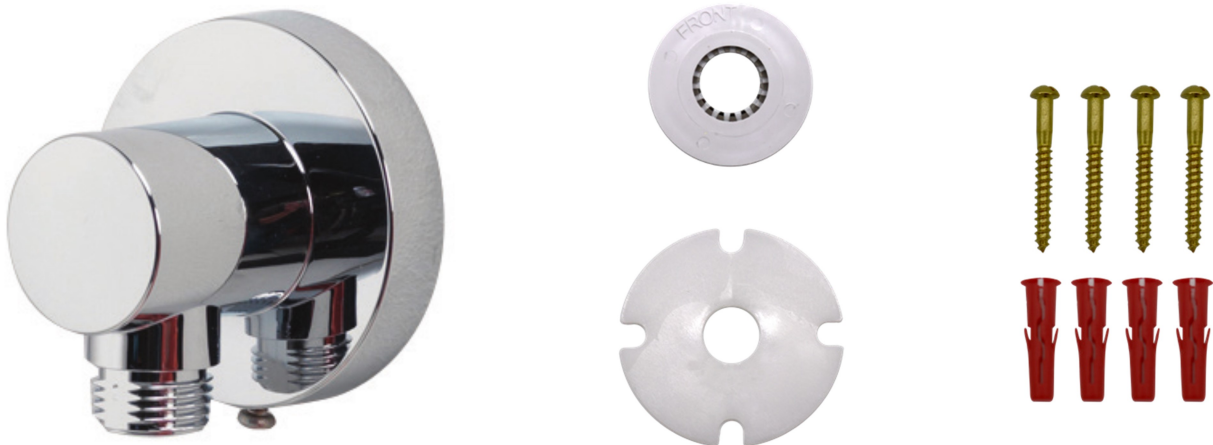


### **Important Information**

This product must be installed by a competent person in accordance with the relevant Water Supply Regulations. Prior to installation, ensure all literature supplied with this product is read and understood. We have taken great care to ensure that this product reaches you in perfect condition, however, should any parts be damaged or missing please contact your point of purchase. If you require assistance, please contact the Customer Helpline. Some kits are supplied with universal fixings intended to secure it to a suitable wall.

## Components

### **Push Fit Models**



Refer to page 5 for brass models.

# Wall Outlets

1. Ensure the finished wall surface is even, prepare pipework from the shower valve to the required position for the hose outlet using a  $\text{Ø}15\text{mm}$  pipe. Slide the wall spacer down the projecting pipe until flush with the finished wall surface.



We recommend applying a suitable sealant around the pipework to stop water entering the wall.

2. Slide the 15mm gripper ring down the projecting pipe until flush with the wall spacer fitting. Should the gripper ring become damaged or compromised, please contact the Customer Helpline for a replacement.



3. Trim the projecting pipe to a length of 15-22mm, measured from the face of the gripper ring, using a suitable cutter. If a hacksaw is used, the pipe end must be carefully de-burred and chamfered.
4. Clean and lubricate the pipe using a suitable (silicone based) lubricant.
5. Remove the locking screw, rotate the chrome outlet assembly and remove the outlet from the wall mounting plate by carefully levering with a flat bladed screwdriver.



The sealing o-ring may unseat itself from the mounting plate spigot and lodge inside the chrome assembly. This must be removed and refitted as per point 8.

## Wall Outlets

6. Ensuring the locking screw hole is positioned at the bottom, place the wall outlet mounting plate onto the pipe assembly and mark and prepare the fixing points, using the fixings provided (if suitable).



7. Secure the wall mounting plate to the wall using the screws provided (if suitable).

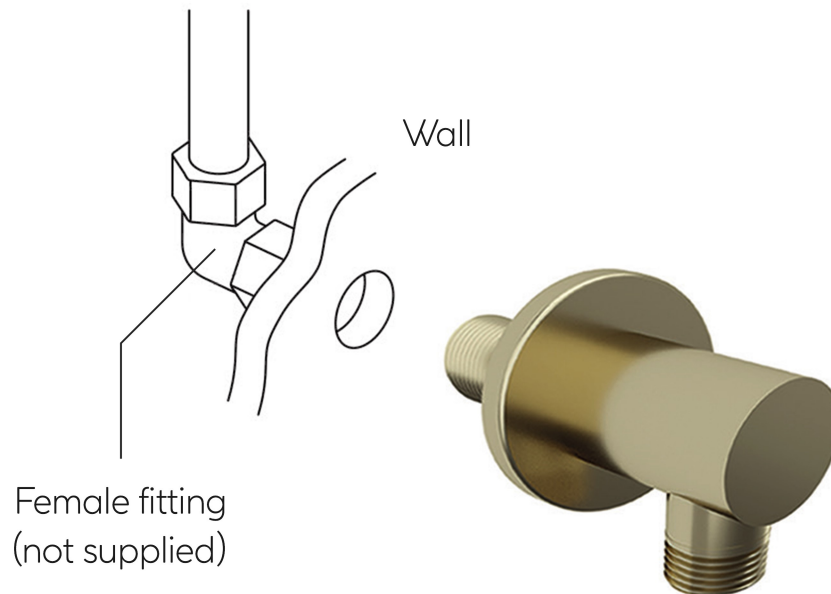


8. Place the 'O' ring on the recess of the spigot section on the mounting plate, offer the chrome assembly onto the mounting plate in the 5 o'clock position and rotate clockwise until a stop is reached.

9. Refit the locking screw taking care not to over tighten. Run the shower for a few seconds to clear any debris and to check for leaks.



## Brass Models



1. Run pipework from the shower valve to the desired location for the wall outlet ensuring it terminates in a suitable 1/2" female connector (not supplied). All pipework and connectors must be secured using suitable fixings.



We recommend applying a suitable sealant around the pipework to stop water entering the wall.

*Note: a 22mm hole is required to accommodate the wall outlet thread.*

2. Attach the cover plate to the wall outlet thread and wind the wall outlet directly into the 1/2" female connector (not supplied) using PTFE tape or similar, to achieve a watertight seal.
3. Run the shower for a few seconds to clear any debris and to check for leaks.
4. Where required, apply a small bead of suitable sealant around the cover plate where it meets the wall.

## Caring for your Product



**DO NOT USE ABRASIVE CLEANERS.** It is imperative that descaling is carried out in accordance with the manufacturer's instructions, substances that are not suitable for plastics and electroplated surfaces must not be used.



Cleaning tip: to keep your product effortlessly clean, we recommend drying all shower components with a soft cloth after use. Your product can be cleaned using only a soft cloth and washing up liquid.



**Scan for warranty registration**



affix label here



[www.elisabathrooms.com](http://www.elisabathrooms.com)

The Flyers Way, Westerham, Kent TN16 1DE, UK

Register your guarantee instantly at  
[www.elisabathrooms.com/guarantee](http://www.elisabathrooms.com/guarantee)

Speak to our Customer Service team on  
01959 560003



The company reserves the right to alter, change or modify the product specifications without prior warning.

Q5662 Part No 706506 Issue 01 - Jan 22