

PRODUCT DATA SHEET

Burlington[®]



PRODUCT CODE

GU130WNC

RANGE

Guild

DESCRIPTION

Guild Basin 3TH Trim Set Wall Mounted Chrome

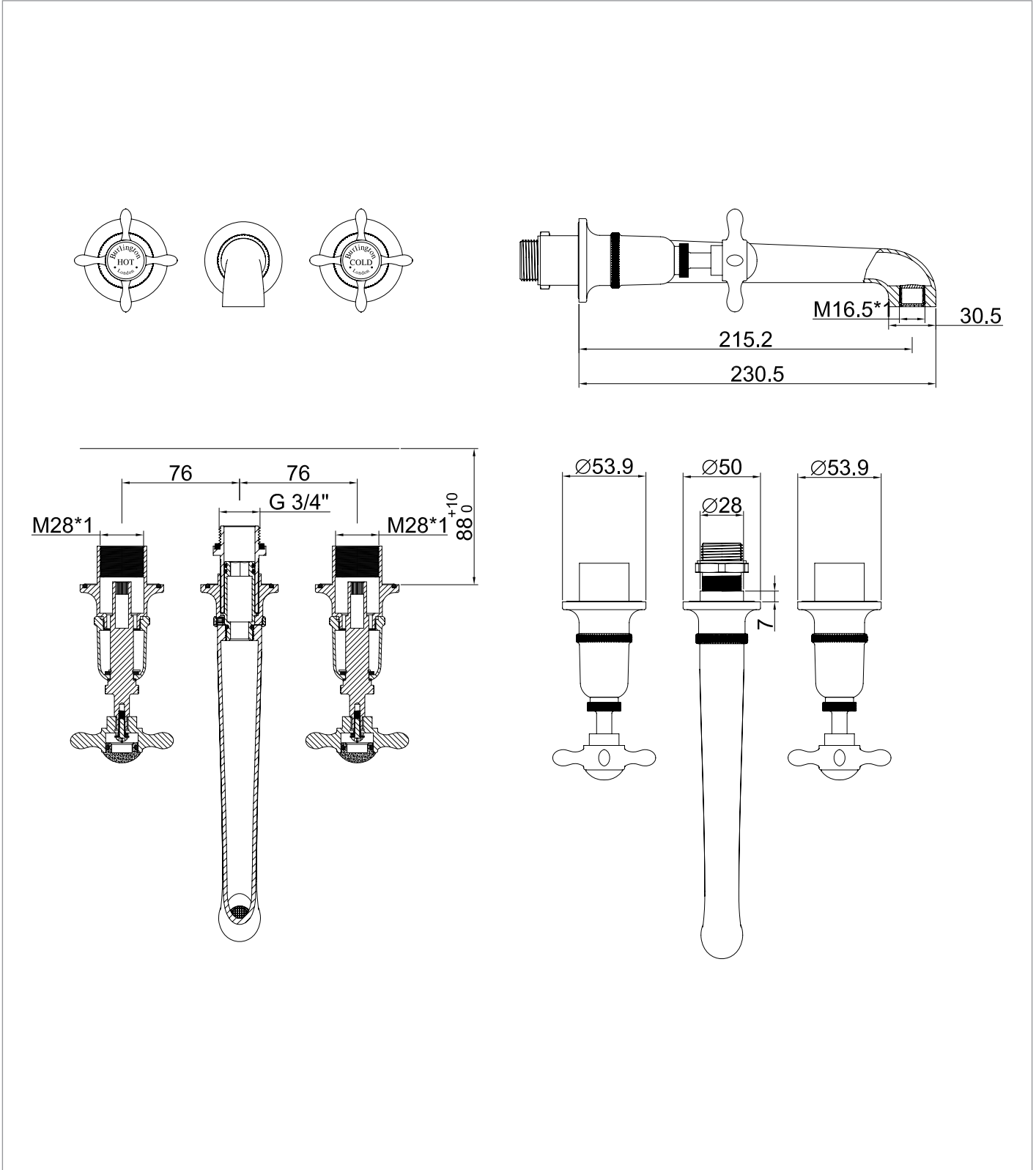
| | | | | | | | |
|-----------------------|----------------|-------|-------|-------|-------|-------|-------|
| CATEGORY | Brassware | | | | | | |
| WARRANTY DETAILS | 15 Years | | | | | | |
| COLOUR | Chrome | | | | | | |
| FINISH APPLICATION | Electroplated | | | | | | |
| PRIMARY MATERIAL | Brass | | | | | | |
| SECONDARY MATERIAL | Vitreous China | | | | | | |
| INSTALL TYPE | Wall Mounted | | | | | | |
| PRODUCT WIDTH MM | 218.5 | | | | | | |
| PRODUCT HEIGHT MM | 53.9 | | | | | | |
| PRODUCT LENGTH MM | 230.5 | | | | | | |
| PRODUCT NET WEIGHT KG | 1.23 | | | | | | |
| STANDARDS | EN200,EN817 | | | | | | |
| PRESSURE (BAR) | 0.2 | 0.5 | 1 | 2 | 3 | 4 | 5 |
| PRIMARY FLOWRATE | 11.85 | 18.74 | 26.52 | 36.63 | 44.49 | 48.18 | 59.29 |
| HANDSET FLOWRATE | | | | | | | |
| MASSAGE FLOW RATE | | | | | | | |
| AIR FLOW RATE | | | | | | | |
| WIRE FLOW RATE | | | | | | | |
| WATERFALL FLOW RATE | | | | | | | |
| MIST FLOW RATE | | | | | | | |
| HANDSPRAY FLOW RATE | | | | | | | |

| | |
|------------------------------------|----------------------------|
| MINIMUM PRESSURE (BAR) | 0.3 |
| MAX WORKING PRESSURE (BAR) | 5 |
| NUMBER OF OUTLETS | 1 |
| NUMBER OF FUNCTIONS | 1 |
| SPOUT PROJECTION | 215.20 |
| SWIVEL SPOUT | No |
| INLET CONNECTIONS THREAD | G1/2" |
| OUTLET CONNECTIONS THREAD | M16.5*1 |
| FLOW REGULATOR | Aerator, Flow straightener |
| WASTE INCLUDED | No |
| ANTI-SCALD | No |
| ENERGY SAVING | No |
| SHOWER HOSE & HANDSET ARE INCLUDED | No |

TECHNICAL DIMENSIONS

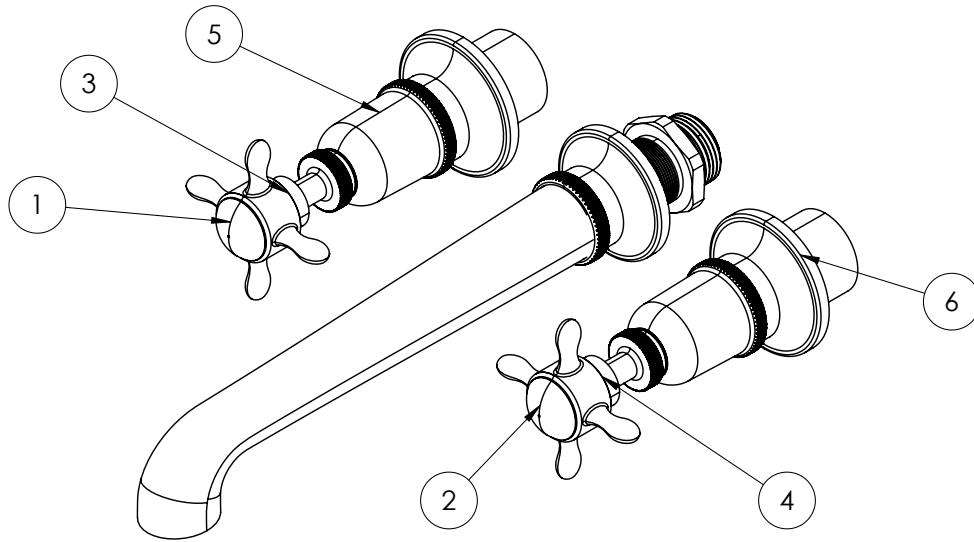
Dimensions in mm unless otherwise specified.

Tolerances (per material type) apply.



SPARES LIST

Only the parts labelled are available as spares.



| NUMBER | PART CODE | DESCRIPTION |
|--------|------------|--|
| 1 | SP1832 | Guild Hot logo ceramic indice with O ring |
| 2 | SP1833 | Guild Cold logo ceramic indice with O ring |
| 3 | SP1835CHR | Guild Hot handle assembly in Chrome |
| | SP1835BNKL | Guild Hot handle assembly in Brushed Nickel |
| | SP1835GOLD | Guild Hot handle assembly in Gold |
| 4 | SP1836CHR | Guild Cold handle assembly in Chrome |
| | SP1836BNKL | Guild Cold handle assembly in Brushed Nickel |
| | SP1836GOLD | Guild Cold handle assembly in Gold |
| 5 | SP1844CHR | Guild handle collar assembly in Chrome |
| | SP1844BNKL | Guild handle collar assembly in Brushed Nickel |
| | SP1844GOLD | Guild handle collar assembly in Gold |
| 6 | SP1845CHR | Guild Fixing thread part for handle collar in Chrome |
| | SP1845BNKL | Guild Fixing thread part for handle collar in Brushed Nickel |
| | SP1845GOLD | Guild Fixing thread part for handle collar in Gold |