

L Shape Furniture

Basin Unit & W/C Unit Installation and Aftercare Instructions

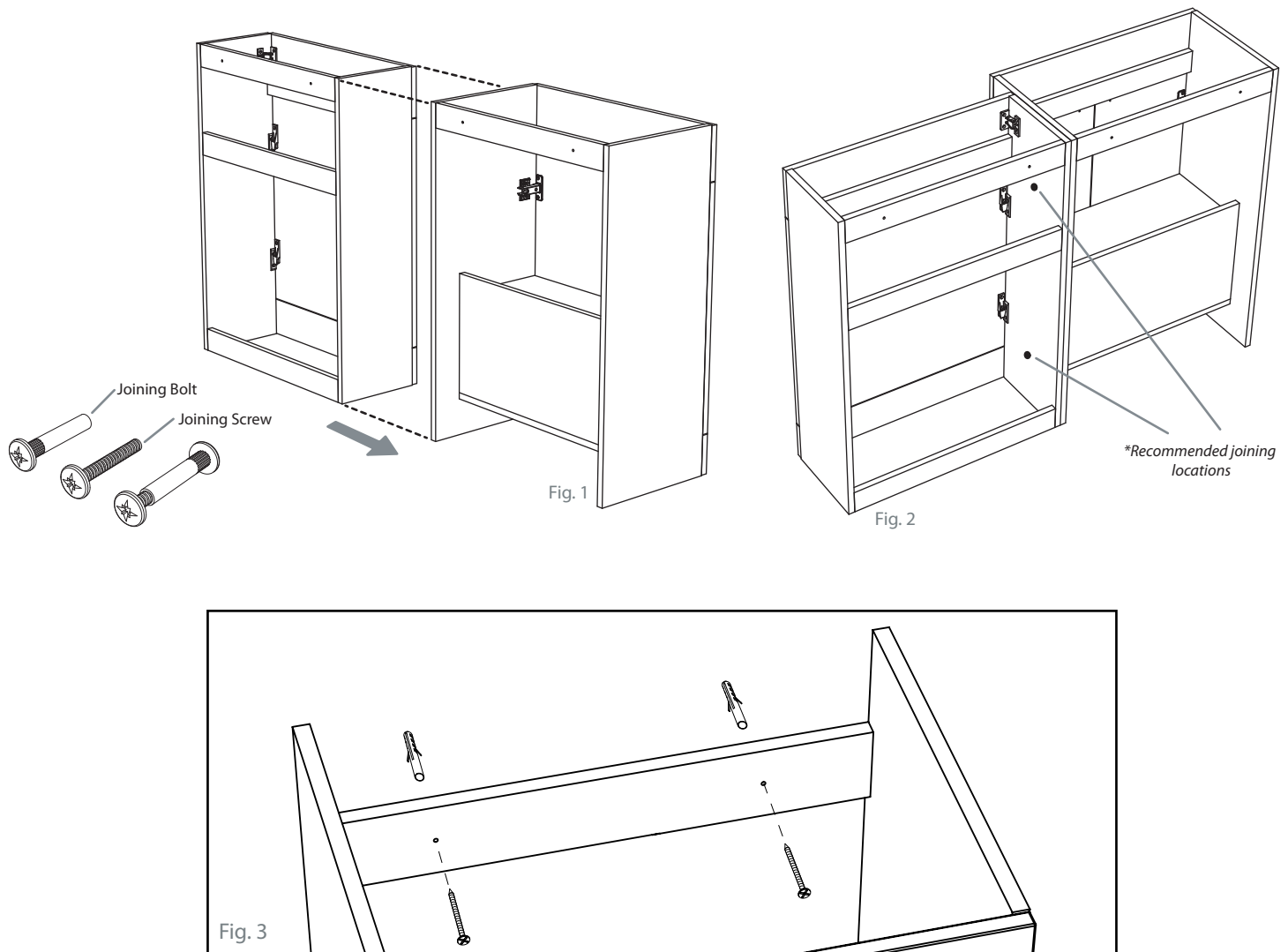
Before you start

Wear suitable eye protection when drilling. Take care when using power tools near water - the use of a residual current device (RCD) is recommended. Beware of hidden pipes or cables. Take care when drilling tiled surfaces as the drill might slip. Use a piece of masking tape to prevent the drill from wandering.

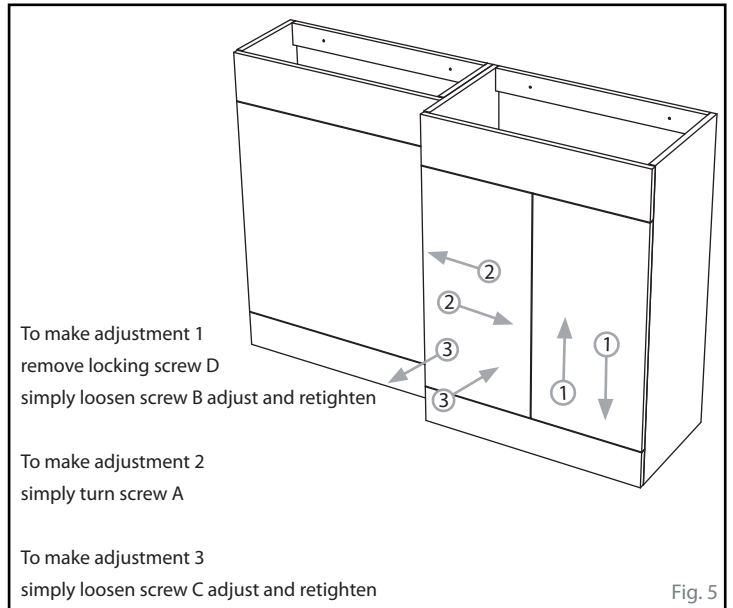
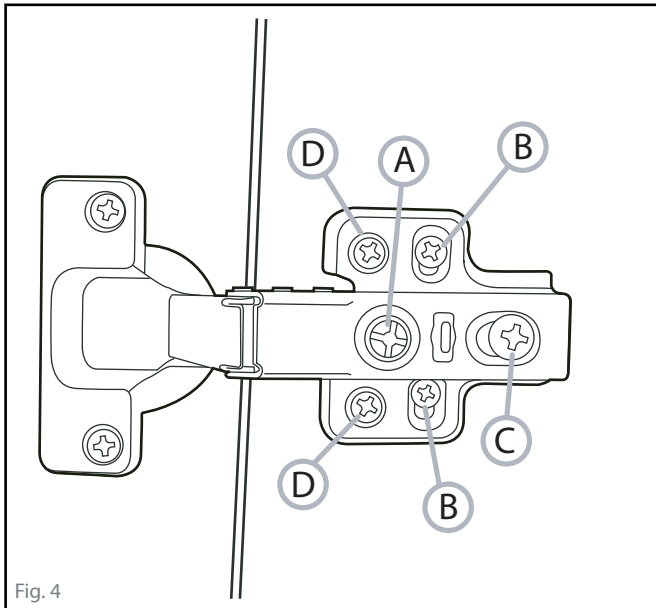
Joining Units

Before fixing units to the wall, they will need to be joined together.

1. Choose desired configuration (LH or RH)
2. Push unit together so that back of units line up
3. Clamp units together and drill a suitable hole in locations as per as per figure 2.
Note: For tidy holes we recommend clamping a scrap piece of wood to the inside of the W/C unit and drilling through the side panels of the basin unit into this wood. This prevents any side panel break out.
4. Fix together using jointing screws or similar fixings (not supplied)
5. Push connected units to wall and secure in place as per figure 3 (fixings not supplied)

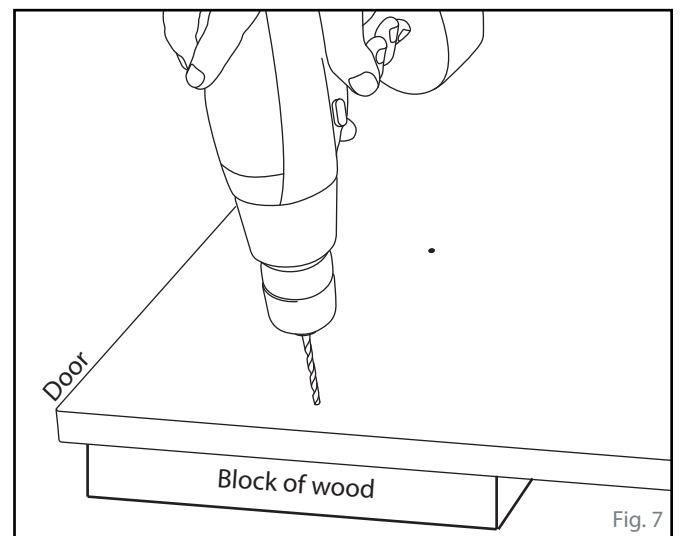
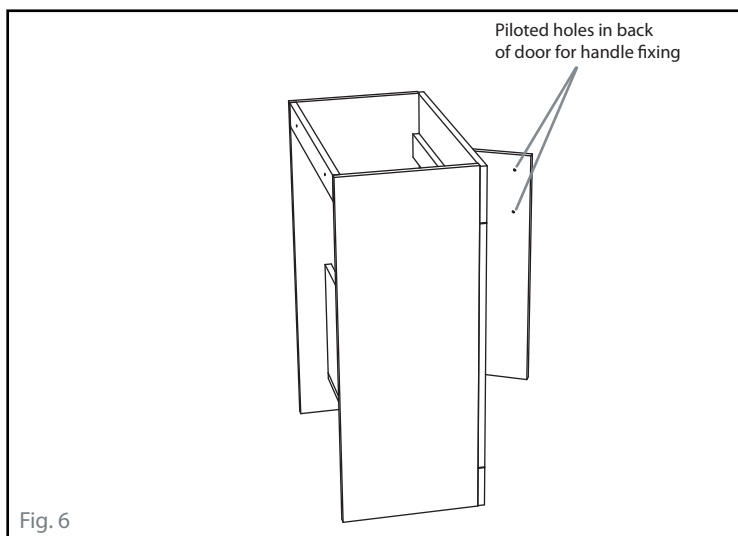


Hinge Adjustment

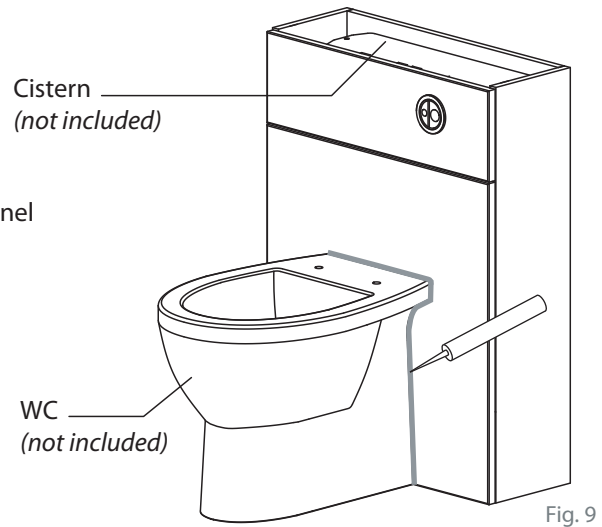
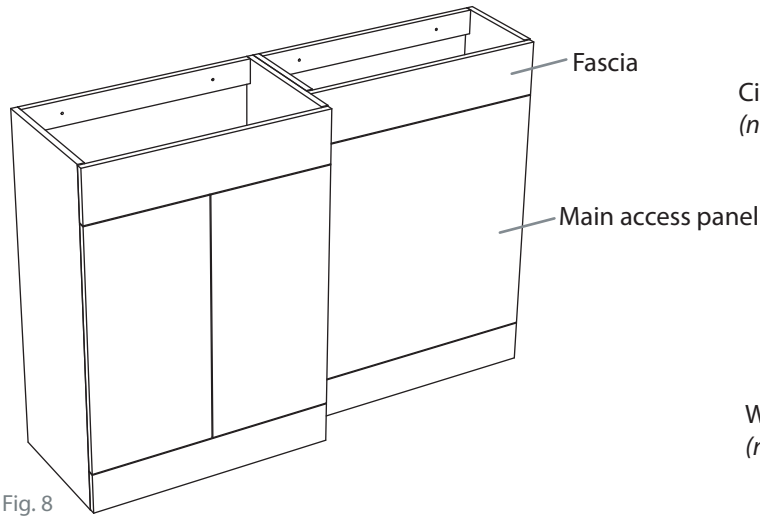


Installing handles

1. There are pilot holes in back face of doors, suitable for use with handles supplied.
2. Clamp a piece of wood on the front of the door (being careful not to damage the front) and drill through pilot holes carefully from the back. See figure 7.
3. Screw handles into place.



Back-to-Wall Installation



1. Remove top fascia by gently pulling it forwards. This is fixed with push fit clips.
2. Remove main access panel by simply sliding upwards. This is fixed on sliding clips.

3. For standard W/C pan

- Fit base unit to wall in required location ensuring correct position of supply and waste pipes.
- Fit WC and cistern according to manufacturer's instructions - check system carefully for leaks.
- Cut a suitable slot in the main access panel to allow for the soil pipe and inlet. Note: Cut this slot as wide as possible to make refitting the main access panel easier.
- Refit the panel by sliding it back into position. Silicone the join between WC and access panel.

5. Re-fit fascia.

4. For Wall hung pan and frame

- Fit base unit to wall in required location ensuring correct position of supply and waste pipes.
- Fix the frame to the floor and into a SOLID BRICK WALL (through the top brace of the W/C unit) as per instructions included with frame.
- Cut a suitable hole in the main access panel to allow for the soil pipe, inlet and wall hung pan bolts.
- Refit the panel by sliding it back into position.
- Fix WC and cistern according to manufacturer's instructions - check system carefully for leaks.
- Silicone the join between WC and access panel.

Basin Installation

Once the basin is plumbed in finish by securing to the unit with a silicone sealant (not supplied).

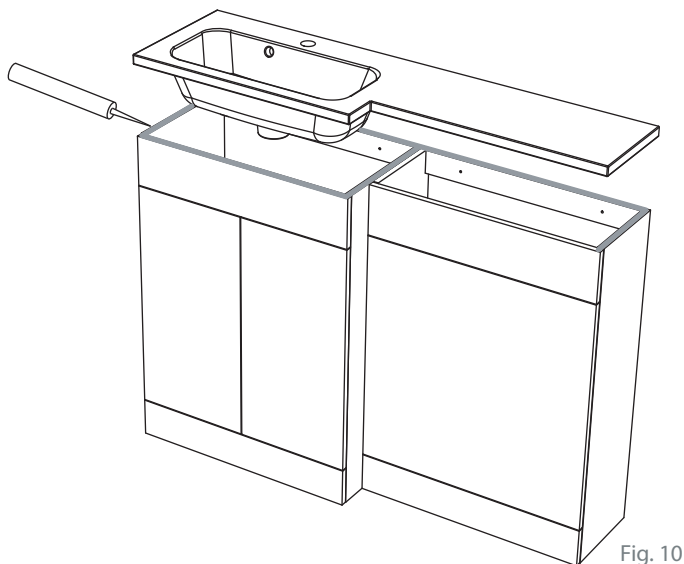


Fig. 10

Aftercare Instructions

We recommend...



Wipe away any water splashes or condensation after use. Excessive exposure to water will deteriorate the furniture.



All bathrooms should be well ventilated with suitable extractor fan.



Clean with a soft damp cloth only.



For removal of lime scale deposits use a suitable proprietary cleaner. If necessary test on an inconspicuous area first.

Please DO NOT...



Do not scrub or scour



Do not use abrasive cleaning agents