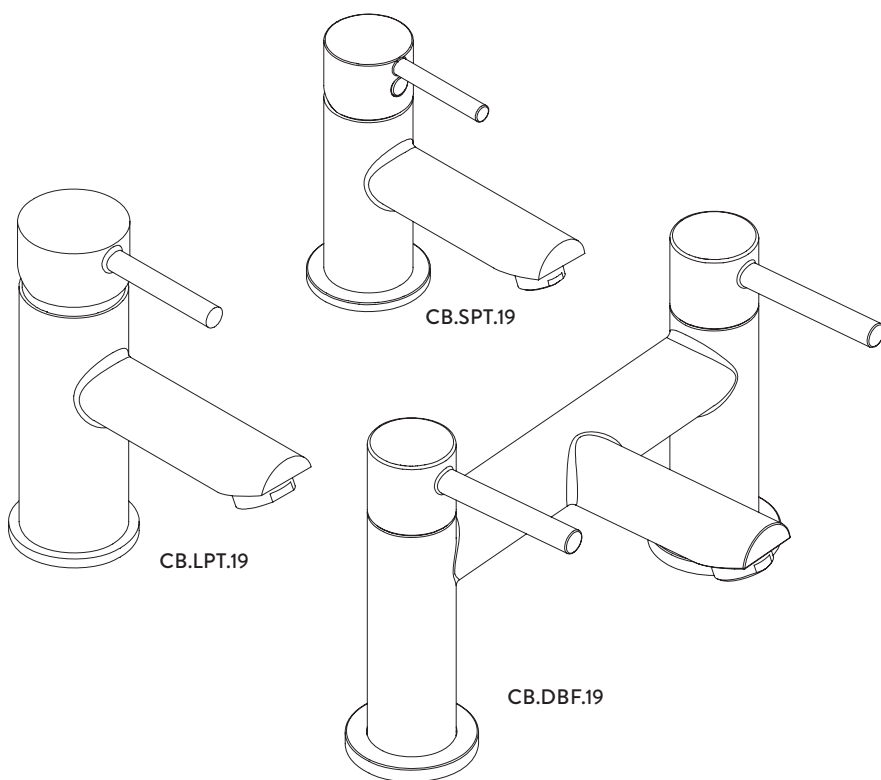


# AQUALISA TAPS

---

INSTALLATION AND USER GUIDE

---



# CONTENTS

---

Safety Information	2
Warranty	2
Flushing	2
Isolating Valves	3
Pressures	3
Installation	3
Cleaning	3
Small Pillar Tap	4
Large Pillar Tap	6
Deck Mounted Bath Filler	8

## SAFETY INFORMATION

---

This product must be installed by a competent person in accordance with all relevant current Water Supply and Building Regulations.

This product is suitable for domestic use only.

## WARRANTY

---

Aqualisa products are supplied complete with a 1 year guarantee that can be upgraded by registering this product with Aqualisa.

For details see: [www.aqualisa.co.uk/warranty](http://www.aqualisa.co.uk/warranty)

## FLUSHING

---

Some modern fluxes can be very corrosive and, if left in contact, will attack the working parts of this unit. All soldering must be completed and the pipe work thoroughly flushed out in accordance with current Water Supply Regulations prior to connection of the product.

## ISOLATING VALVES

---

Suitable full bore isolation valves such as gate valves must be fitted to both supplies in accordance with the Water Supply Regulations and our terms of warranty.

## PRESSURES

---

Suitable for gravity stored, gravity pumped, balanced high pressure and combination boiler systems. This product is designed to control static pressure up to 5 bar. Where pressures are likely to exceed 5 bar a pressure reducing valve must be fitted into the incoming mains supply. A setting of 3 bar is recommended. It should be noted that daytime pressures approaching 3 bar can rise above the stated maximum overnight. For optimum performance, the following minimum pressures are recommended.

### **Minimum inlet pressure:**

Small Pillar Tap: 0.1 bar

Large Pillar Tap: 0.1 bar

Deck Mounted Bath Filler: 0.2 bar

For optimum performance hot and cold pressures should be equal. A suitable PRV is available from Aqualisa, if required.

N.B. Not suitable for mixed water supplies, i.e. gravity hot/cold mains.

## INSTALLATION

---

The product must not be used with a hot water supply temperature of over 65°C. The hot supply should be on the left when viewed from the front of the product.

## CLEANING

---

Your Aqualisa taps should be cleaned using only a soft cloth and washing up liquid. **DO NOT USE ABRASIVE CLEANERS.**

## SMALL PILLAR TAP INSTALLATION

---



In addition to the guide below it is essential that the important information section is read and understood and that you have all the necessary components before commencing installation. Failure to install the product in accordance with these instructions may adversely affect the warranty terms and conditions. Do not undertake any part of this installation unless you are competent to do so. Prior to starting, ensure that you are familiar with the necessary plumbing regulations required to install the product correctly and safely.

1

Offer the cover plate (3) to the bottom of the tap body.

2

Place the fixing bolts (2) through the cover plate (3) into the tap body and secure using a screwdriver in the machined slot.

3

Screw the flexible hoses (5) into the tap body (see Fig.1 overleaf), feed through the hole in the mounting surface and offer the mixer tap into position.

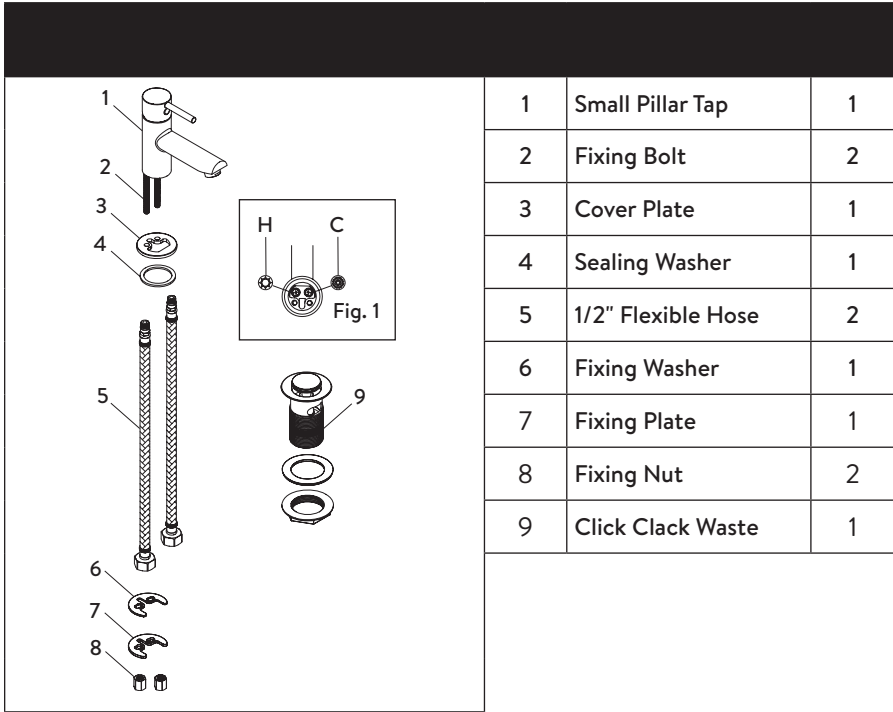
4

Feed the fixing washer (6) and fixing plate (7) onto the fixing bolts and secure to the underside of the mounting surface using a suitable tool. Ensure correct alignment of the mixer tap over the basin.

5

Connect flexible hoses to the supply inlets ensuring washers are fitted and tighten firmly.

# COMPONENTS



1	Small Pillar Tap	1
2	Fixing Bolt	2
3	Cover Plate	1
4	Sealing Washer	1
5	1/2" Flexible Hose	2
6	Fixing Washer	1
7	Fixing Plate	1
8	Fixing Nut	2
9	Click Clack Waste	1

# CLICK CLACK WASTE INSTALLATION

- 1 \_\_\_\_\_  
Ensure the sealing ring is in position on the waste.
- 2 \_\_\_\_\_  
Pass it through the basin.
- 3 \_\_\_\_\_  
Tighten with the base nut.

# LARGE PILLAR TAP INSTALLATION

---



In addition to the guide below it is essential that the important information section is read and understood and that you have all the necessary components before commencing installation. Failure to install the product in accordance with these instructions may adversely affect the warranty terms and conditions. Do not undertake any part of this installation unless you are competent to do so. Prior to starting, ensure that you are familiar with the necessary plumbing regulations required to install the product correctly and safely.

1

Place the fixing bolts (2) into the tap body and secure using a screwdriver in the machined slot.

2

Fit cover plate (3) at the base on the tap.

3

Screw the flexible hoses (5) into the tap body (see Fig.1 overleaf), feed through the hole in the mounting surface and offer the mixer tap into position.

4

Feed the fixing washer (6) and fixing plate (7) onto the fixing bolts and secure to the underside of the mounting surface using a suitable tool. Ensure correct alignment of the mixer tap over the basin.

5

Connect flexible hoses to the supply inlets ensuring washers are fitted and tighten firmly.

# COMPONENTS

1	Large Pillar Tap	1
2	Fixing Bolt	2
3	Cover Plate	1
4	Sealing Washer	1
5	1/2" Flexible Hoses	2
6	Fixing Washer	1
7	Fixing Plate	1
8	Fixing Nut	2
9	Click Clack Waste	1

# CLICK CLACK WASTE INSTALLATION

- 1 \_\_\_\_\_  
Ensure the sealing ring is in position on the waste.
- 2 \_\_\_\_\_  
Pass it through the basin.
- 3 \_\_\_\_\_  
Tighten with the base nut.

# DECK MOUNTED BATH FILLER INSTALLATION

---



In addition to the guide below it is essential that the important information section is read and understood and that you have all the necessary components before commencing installation. Failure to install the product in accordance with these instructions may adversely affect the warranty terms and conditions. Do not undertake any part of this installation unless you are competent to do so. Prior to starting, ensure that you are familiar with the necessary plumbing regulations required to install the product correctly and safely.

1

Remove fixing washers (3) and fixing nuts (4) from the mixer, leaving the base rings (2) fitted onto the tails.

2

Locate the tails of the bath filler into the holes of the bath.

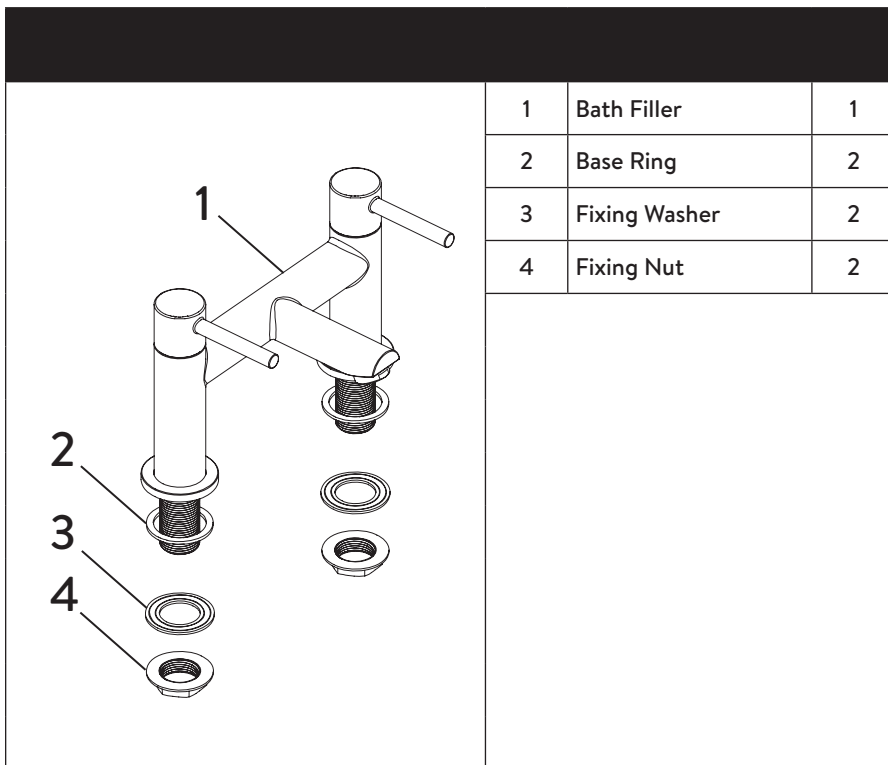
3

Underneath the bath, put the fixing washers (3) onto the tap tails and secure them using the fixing nuts (4).



# COMPONENTS

---







# AQUALISA

Aqualisa Products Limited  
The Flyers Way  
Westerham Kent TN16 1DE

Customer Helpline: 01959 560010 | Brochure Hotline: 0800 652 3669  
Website: [www.aqualisa.co.uk](http://www.aqualisa.co.uk) | Email: [enquiries@aqualisa.co.uk](mailto:enquiries@aqualisa.co.uk)  
Warranty: [www.aqualisa.co.uk/warranty](http://www.aqualisa.co.uk/warranty)

Republic of Ireland  
Sales enquiries: 01-864-3363  
Service enquiries: 01-844-3212



Please note that calls may be recorded for training and quality purposes.

The company reserves the right to alter, change or modify the product specifications without prior warning.

™ Trademark of Aqualisa Products Limited.



Part No: 704652 Issue 02 Oct 20