

CADENCE WALL MOUNTED & FLOOR MOUNTED UNITS

FURNITURE AFTERCARE INSTRUCTIONS

Before You Start

- The product should only be installed by a suitably qualified / competent / experienced bathroom installer.
- Check the contents of the pack for defects before installation. The supplier will not accept any refitting costs if faulty product has been fitted.
- The furniture should only be installed in a well ventilated bathroom at a distance from bath / showers to avoid splashing. It should also be protected from any shower / handset spray by a shower screen or similar.
- Make sure the unit and basin are secured to a suitably strong / reinforced wall to ensure stability.

Caution

- Take care when using power tools near water - the use of a residual current device (RCD) is recommended.
- Beware of hidden pipes or cables.
- Wear suitable eye protection when drilling.
- Take care when drilling tiled surfaces as the drill might slip. We recommend using a piece of masking tape to prevent the drill from wandering.

Aftercare

Do ✓

- Wipe away any water splashes or condensation after use. Excessive exposure to water or sitting water will damage the furniture.
- Clean with a soft damp cloth with a mild detergent only. Surfaces should then be fully dried using a soft lint free cloth.
- A suitable lime scale remover can be used on the BASIN ONLY if required but MUST be tested on an inconspicuous area of the basin.

Don't ✗

- Scrub or scour any part of the furniture or basin.
- Use furniture polish.
- Use abrasive or bleaching cleaning agents.
- Allow hot or sharp objects to contact the furniture or basin.

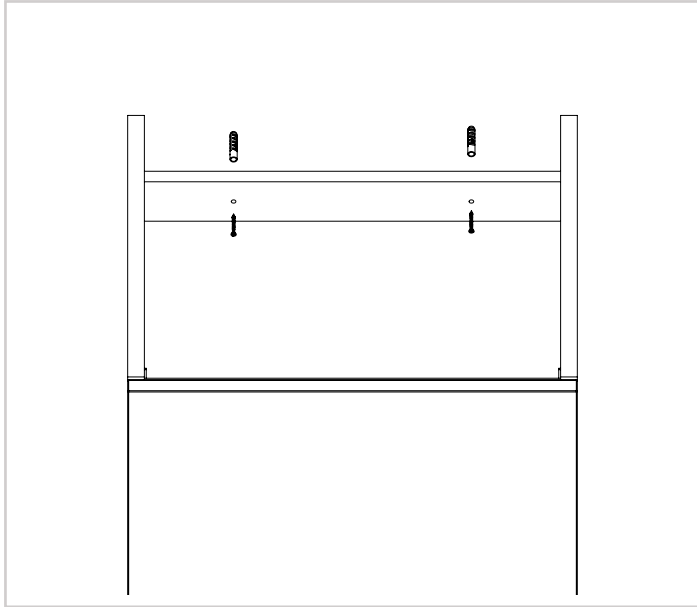
CA400F.X/CA500W.X/CA600W.X/
CA800W.X

CADENCE WALL MOUNTED & FLOOR MOUNTED UNITS

FLOOR MOUNTED UNITS

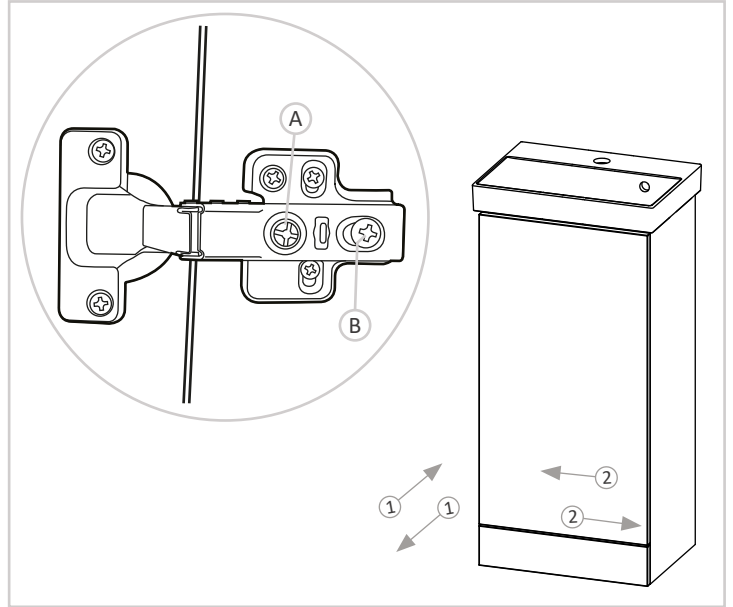
WARNING in order to prevent overturning this product must be used with the wall attachment device provided

Mounting to the wall



Secure the unit to the wall using the fixing kit provided. Screw through the back brace as shown in the diagram.

Hinge adjustment



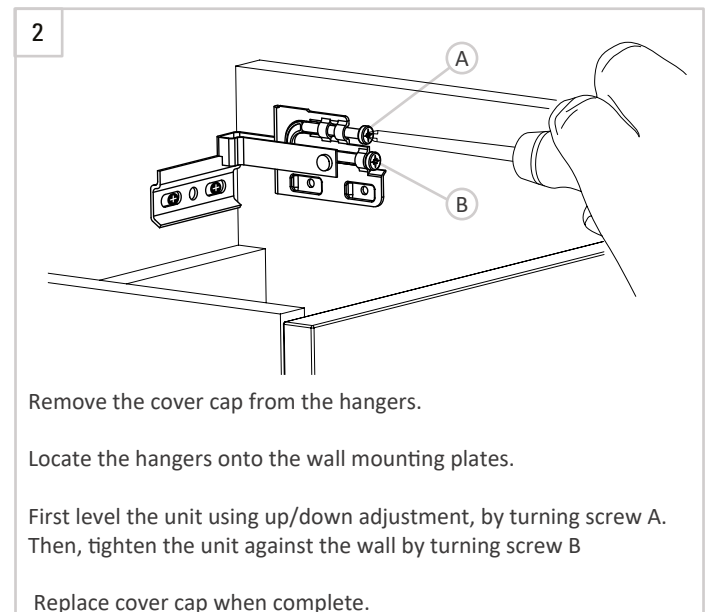
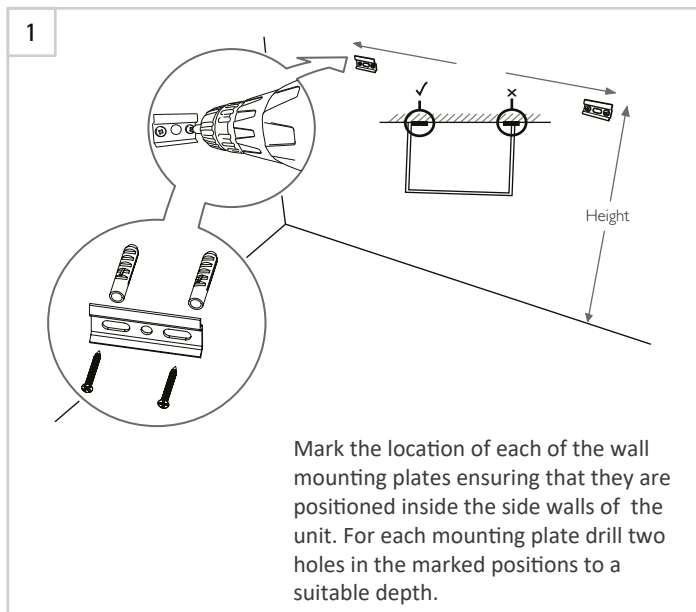
To make adjustment 1 simply turn screw B

To make adjustment 2 simply turn screw A

WALL MOUNTED UNITS

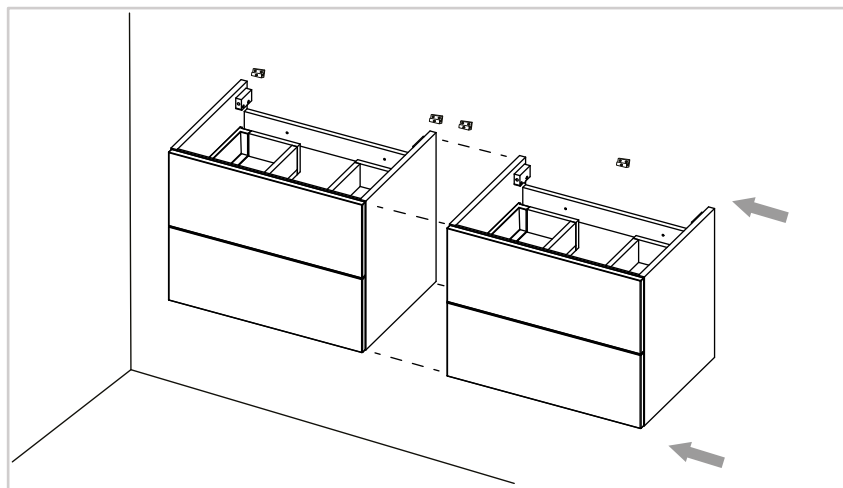
WARNING in order to prevent falling down this product must be used with the wall attachment device provided.

Fixing to the wall



CADENCE WALL MOUNTED & FLOOR MOUNTED UNITS

DOUBLE WALL MOUNTED ASSEMBLY



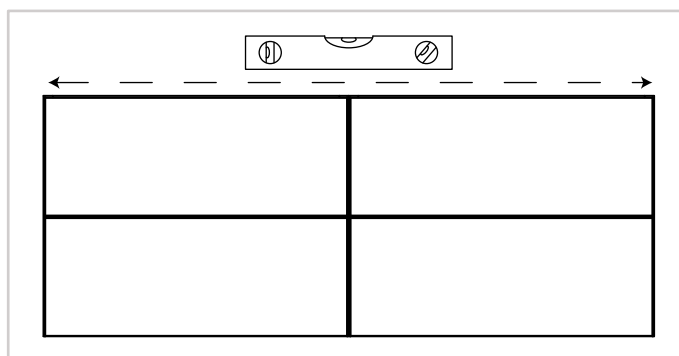
1 Hang the first unit to the wall taking into consideration space needed for the second unit.

2 Hang and apply the second unit.

3 Use a level when applying two wall units together. This will ensure drawer alignment as well as an even and correct fit of an isocast basin or worktop.

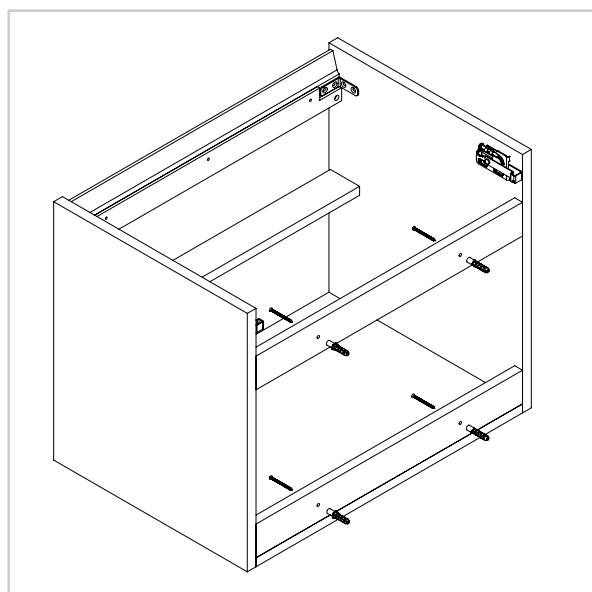
4 Tighten wall hanging mechanisms to ensure tight fix to the wall.

5 Using a clamp and fixings provided, fix both units together by screwing through side panels for a secure and permanent fit.



SECURING TO THE WALL - WALL MOUNTED UNITS

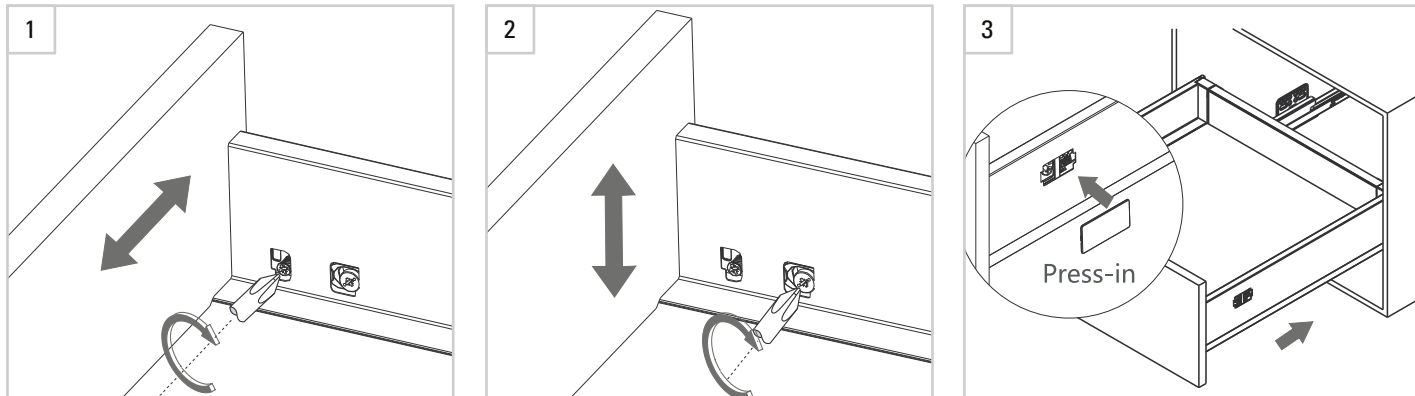
IMPORTANT: Unit must be screwed to wall via braces as a secondary fix after using hangers. Please secure to wall using suitable wall plugs and screws (not provided).



CADENCE WALL MOUNTED & FLOOR MOUNTED UNITS

ADJUSTING DRAWER FASCIA

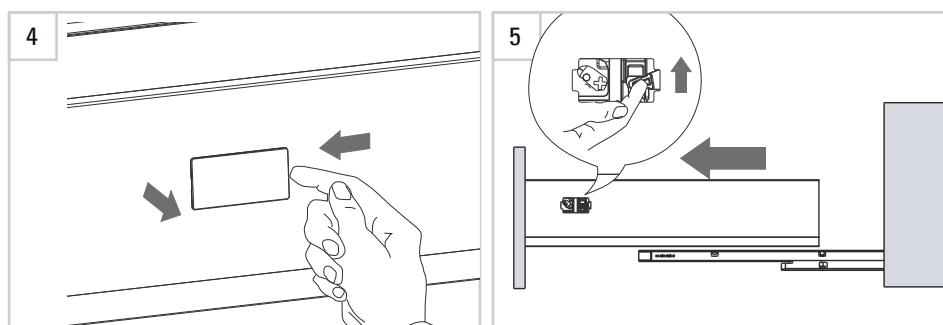
Fascias may require adjustment for correct alignment. This is achieved with the adjusting mechanisms under the interior cover cap.



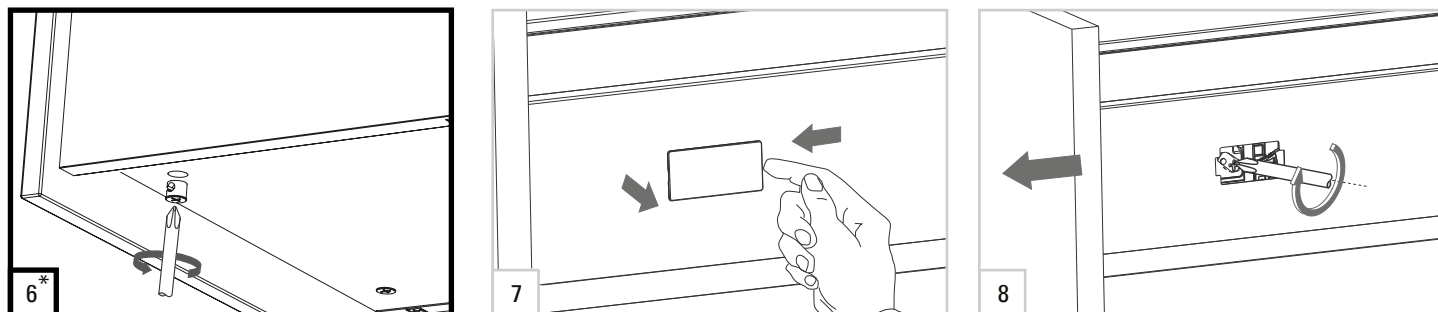
REMOVING DRAWER & FASCIA

The drawer can be removed and if faulty the drawer fascia can be removed and replaced uncovering the mechanism on the outside of the drawer side.

To remove drawer



To remove fascia

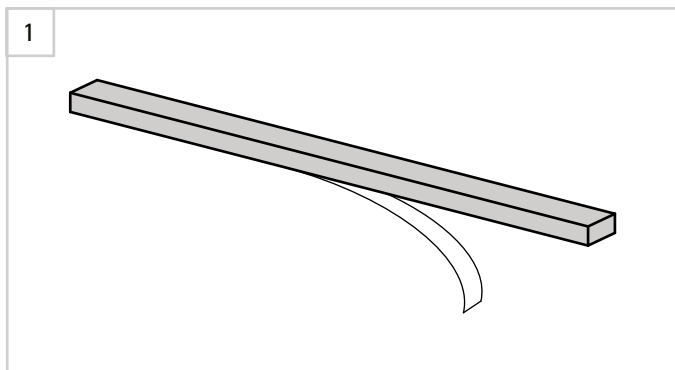


*Release the cam bolt or unscrew the L-bracket on the bottom face of the drawer before releasing the drawer fascia.

To release the cam bolt, turn the cam head anti-clockwise.

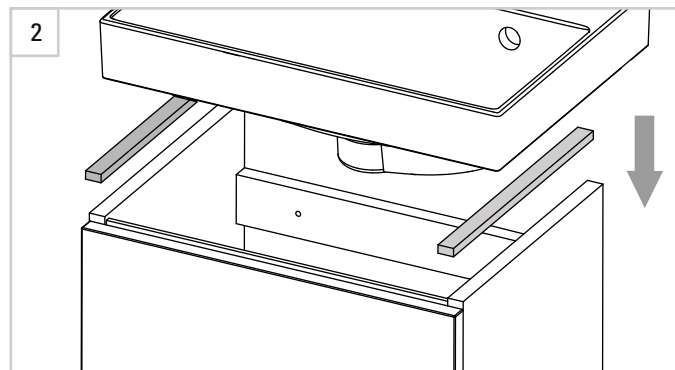
CADENCE WALL MOUNTED & FLOOR MOUNTED UNITS

FITTING BASINS

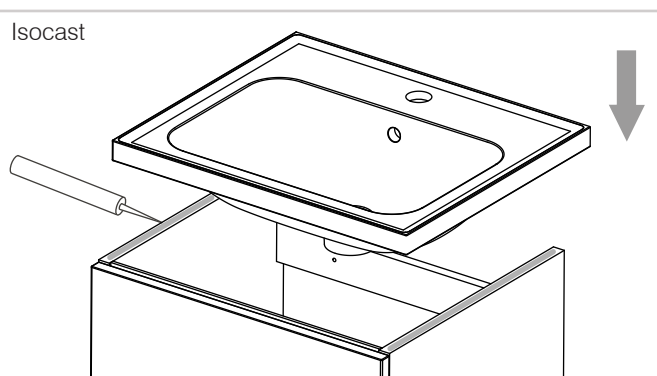
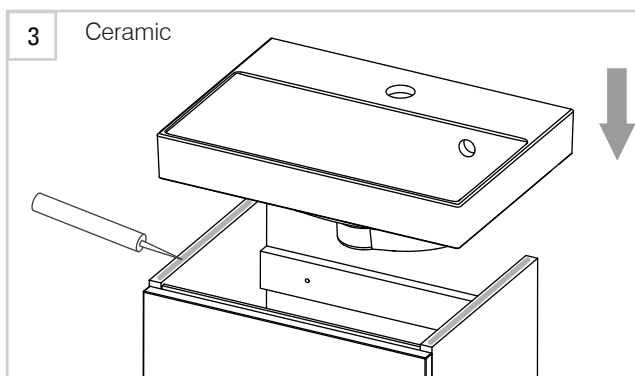


When using a Ceramic basin, it is required to use rubber extrusion supplied in fixing pack. To apply rubber extrusion to top edge of side panel, remove 3M seal and apply.

*This component is not required for isocast basins.



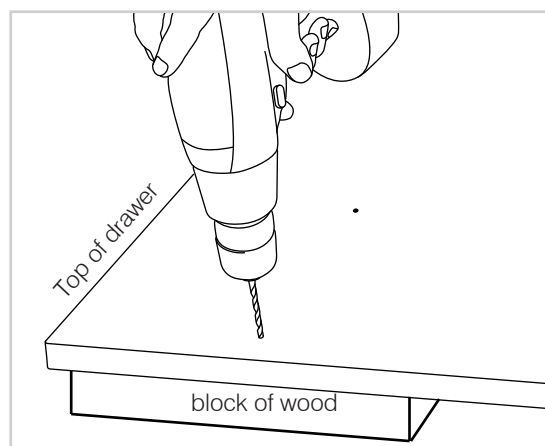
Apply the rubber extrusion to the side panels prior to applying silicone.



Finish by securing the basin to the washstand with a silicone sealant (not supplied).

INSTALLING HANDLES

- 1 Remove the drawer as per previous page
- 2 Included in the box is a template for fixing the handles at our recommended heights.
- 3 Tape this in place in the centre of the front of the drawer front and mark the locations of the relevant handle holes.
- 4 Clamp a piece of wood on the back of the drawer (being careful not to damage the front) and drill through carefully from the front. See diagram.
- 5 Screw handles into place.
- 6 Re-install drawers ensuring that the drawer box clicks back into place.



Note: For top mounted handles, apply to top edge of door ensuring it is centralised. Use fixing holes on back edge of handle to fix in position using screws provided.

