

OPTICA

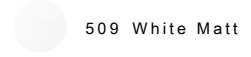
Vanity unit with 2 drawers and Stonex® basin



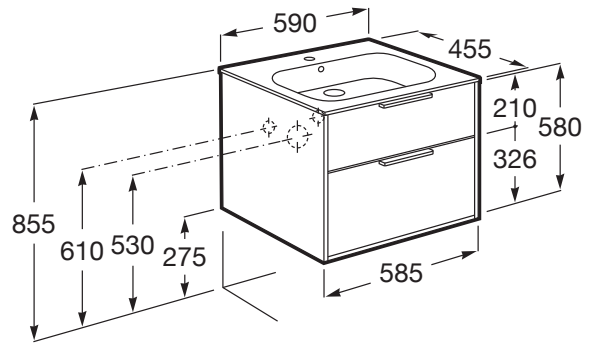
DIMENSIONS

Length	590 mm
Width	455 mm
Height	580 mm

COLOURS AND FINISHES



TECHNICAL DRAWINGS



FEATURES

- Base unit / Closing and opening system: Soft and self close drawers
- Base unit / Doors and drawers combination: 2 drawers
- Base unit / Internal dividers
- Basin / Taphole configuration: 1 taphole in the middle
- Basin Position: Central
- Basin shape: Soft
- Installation type: Wall-hung
- Material / Base unit: Chipboard
- Tap installation: On the basin

COMPATIBLE WITH



Lateral towel rail for base unit

816760001



Organizing box

816819409



Organizing box

816820409



Set of 2 furniture hooks

816761001

