



SlateForme by

The TUNBRIDGE WELLS

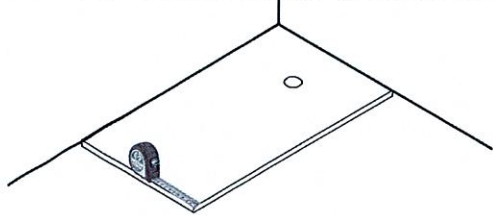
Sanitaryware Co.

CUTTING GUIDE

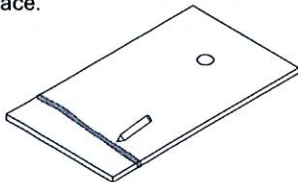
Please read carefully prior to starting.

The trays can be cut to size by following the instructions below.

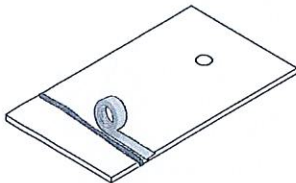
1) Measure the floor area to determine the required cuts.



3) Carefully draw a light line on the shower tray using a pencil where you wish to cut the tray. Make sure you do not score the tray surface.

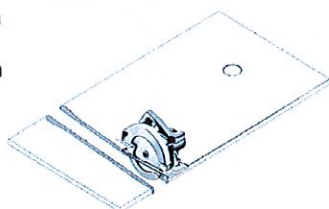


4) Check that your markings are correct and then mask off the cut line to protect the tray surface.



- THE CUTTING OF THE TRAY IS IRREVERSIBLE AND THEREFORE IT IS NOT CLAYGATE'S RESPONSIBILITY IF THE TRAY IS CUT INCORRECTLY. DO NOT CUT UNTIL YOU ARE 100% SATISFIED THAT YOU HAVE READ AND UNDERSTAND THESE INSTRUCTIONS. THE GUARANTEE OF THE TRAY WILL BE VOID IF THE TRAY IS CUT LARGER THAN THE MAXIMUM DIMENSIONS ON THE TABLE SHOWN -

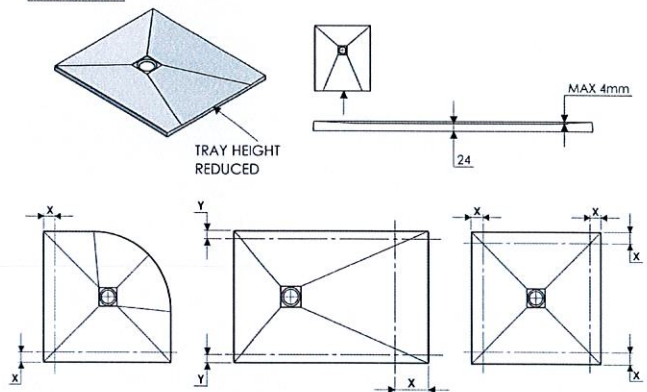
5) Using a circular saw and a diamond cutting blade, cut along the marks which were created in step 1.



2) Using the table below, select the correct size of tray that you have and ensure your required cuts do not go over the maximum dimensions stated.

	MAXIMUM DIMENSIONS	
	X	Y
800Q	50	-
900Q	50	-
800x800	50	-
900x900	50	-
1000x1000	50	-
900x700	150	50
1000x700	175	50
1000x800	175	50
1000x900	175	50
1200x700	200	50
1200x800	200	50
1200x900	200	50
1200x1000	200	50
1400x700	250	50
1400x800	250	50
1400x900	250	50
1400x1000	250	50
1500x700	425	50
1500x800	425	50
1500x900	425	50
1600x700	425	50
1600x800	425	50
1600x900	425	50
1600x1000	425	50
1700x700	525	50
1700x800	525	50
1700x900	525	50
1800x700	625	50
1800x800	625	50
1800x900	625	50
1800x1000	625	50
2000x800	800	50
2000x900	800	50

CUT EXAMPLE



- DO NOT CUT ON THE SHORT EDGE CLOSEST TO THE WASTE
- ENSURE THE CUT EDGE IS POSITIONED AGAINST THE WALL
- DO NOT CUT MORE THAN THE STATED DIMENSIONS
- CUTTING THE TRAY WILL CUT INTO THE DRAINAGE FALLS