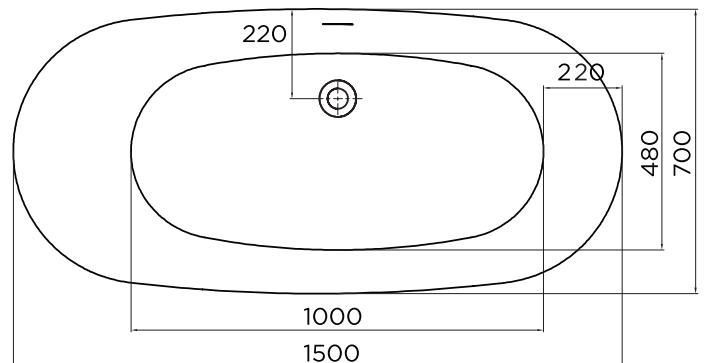
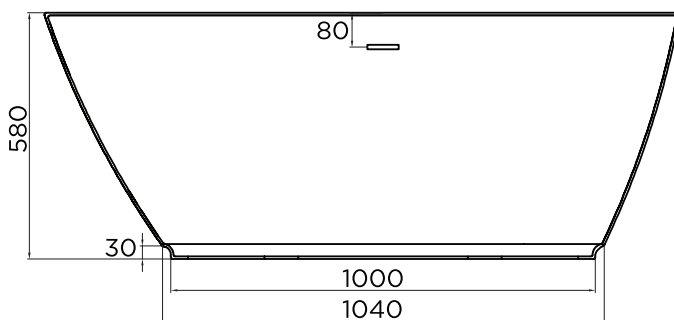


DATA SHEET



Artesan®

174.HAR15 Hartley Double Skinned Bath 1500 x 700mm



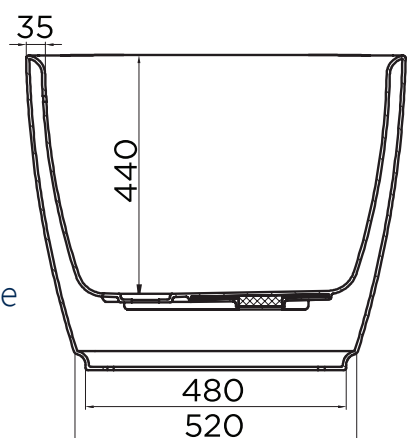
Code: 174.HAR15
Size: 580 (H) x 1500 (W) x 700mm (d)

Description: Acrylic Double Ended Bath

Technical Specifications: Seamless one-piece bath
Incl. pre fitted waste and overflow in chrome
Optional waste and overflow cover finish:

Matt black 122.XX74001CBLK

Brushed brass 122.XX74001CBRS



Finish: White Gloss

Weight: 43Kg