

DATA SHEET

Hapi8



Artesan®

174.H8P9 - Pivot Door



CODE:	174.H8P9
HEIGHT:	1900mm
SIZE:	1000mm
ADJUSTMENT:	850 - 890mm
DOOR OPENING:	536mm
WEIGHT:	35KG
FINISH:	Polished Silver

Technical Specifications:

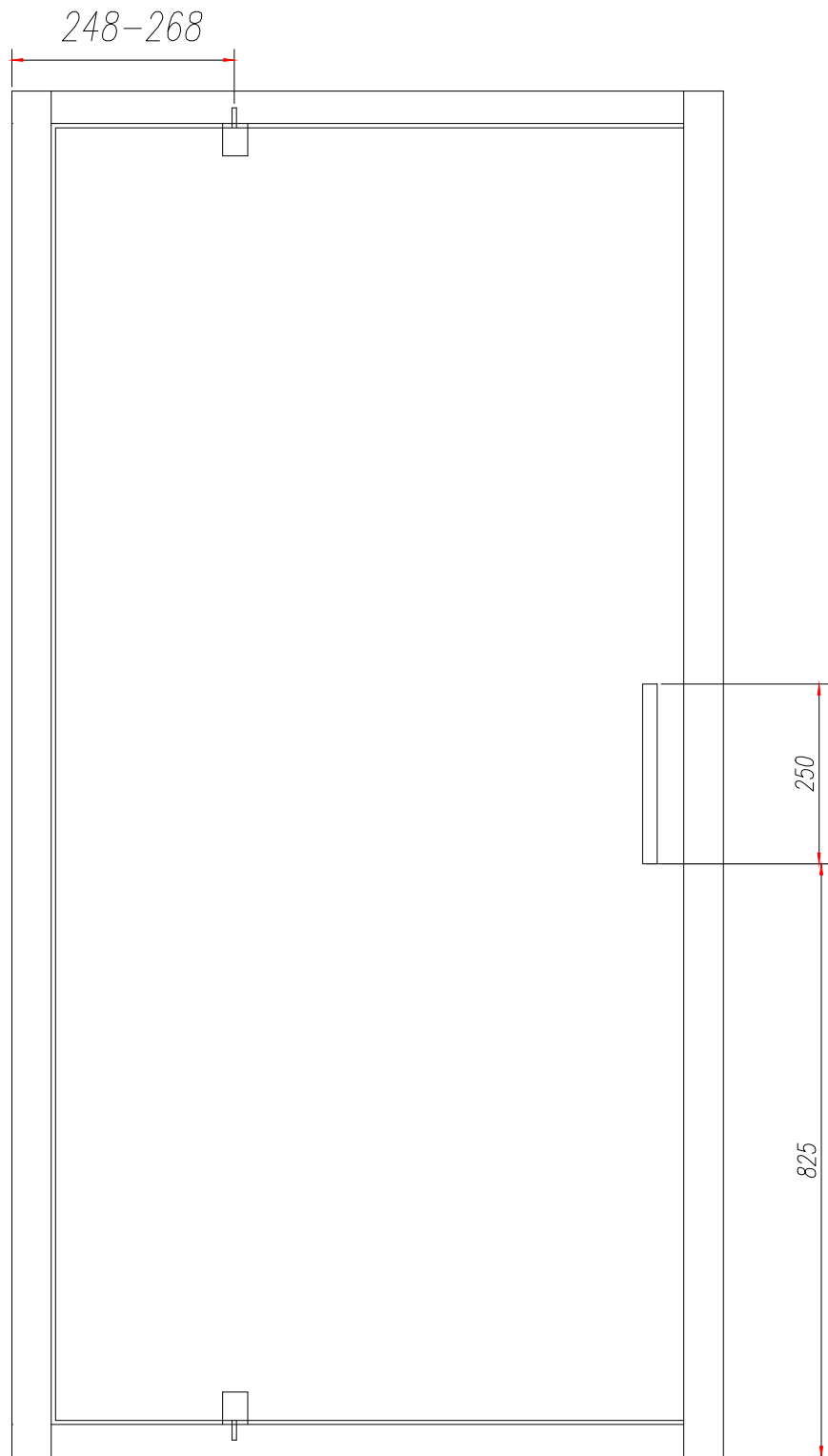
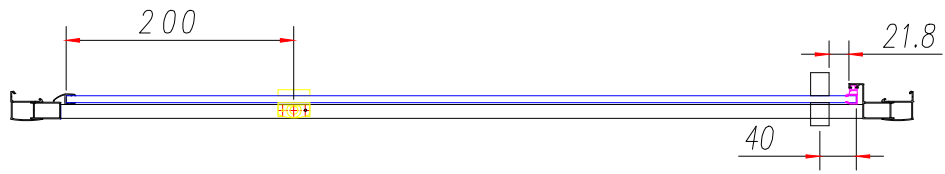
- 8mm toughened safety glass
- Generous adjustment
- Concealed fixings
- Reversible
- Clean easy protection
- Soft Close Seal
- Lifetime guarantee

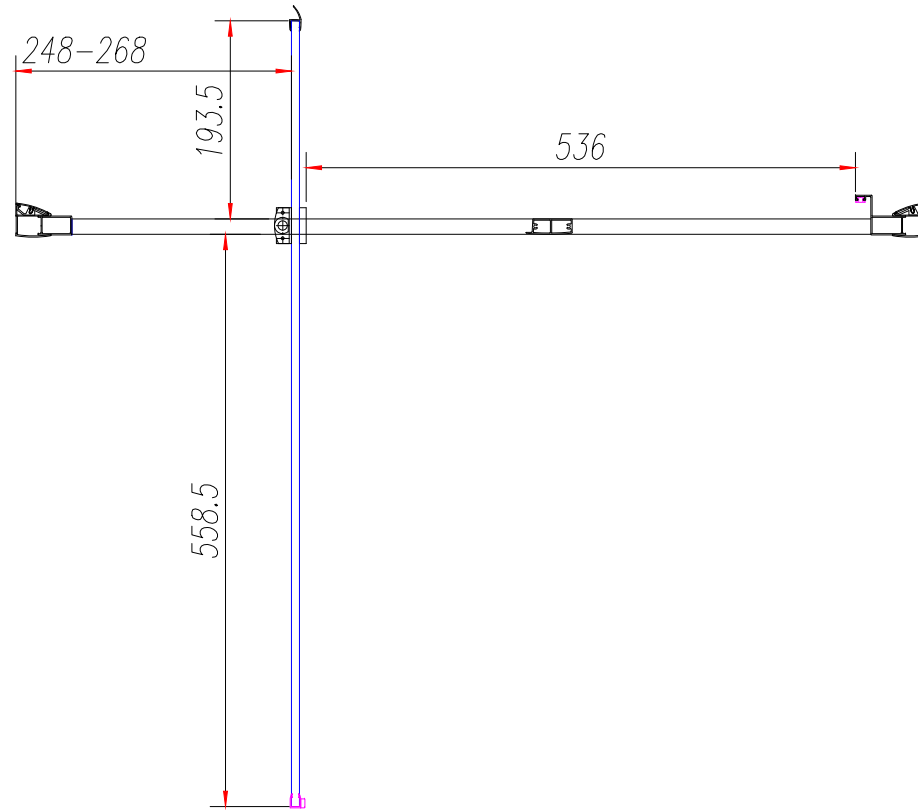
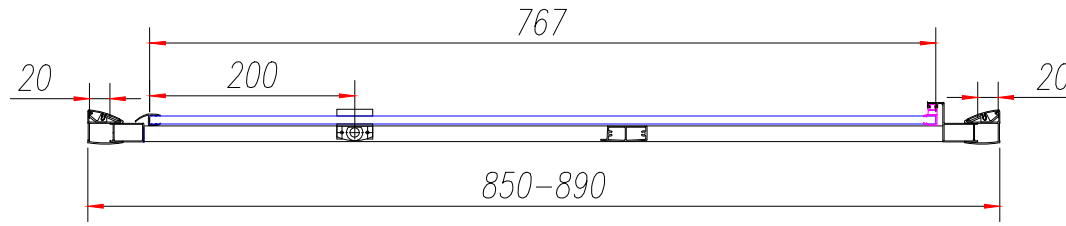
Note: Tray and Side Panels are sold separately

Includes: Cover strip

Extras: Extension wall profiles x 2 - 174.H8EP

All dimensions are in millimetres unless otherwise stated. The information contained on this page was correct at date of issue. Fitting dimensions are provided as a guide only. Some variation may occur due to manufacturing tolerances. We pursue a policy of continuing improvement in design and performance of our products and so reserve the right to change specifications without prior notice.





IF IN DOUBT ASK!	CUT SIZE :-	
	FINISH SIZE :-	
TITLE:		
174.H8P90		
DWG NO.		A3
6	SCALE	SHEET 1 OF 1