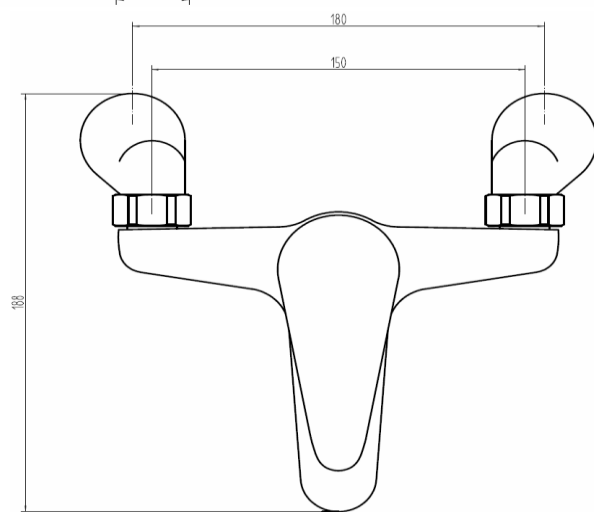
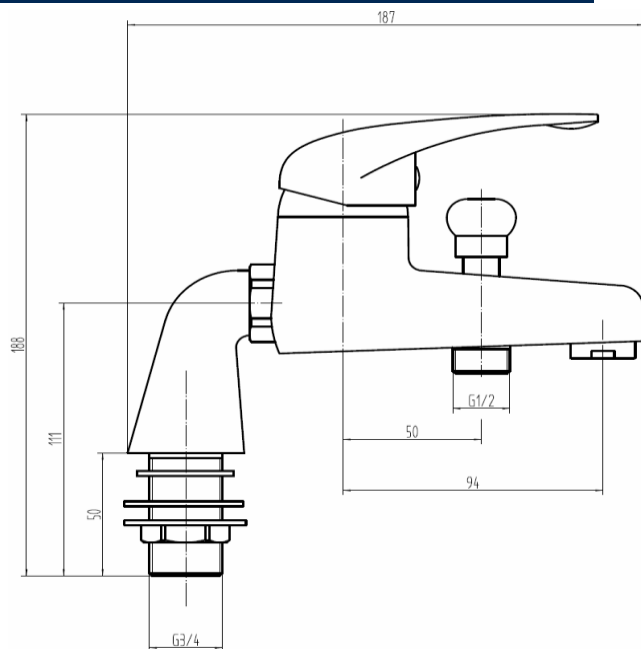


## Yalding Bath Shower Mixer (Incl. Shower Kits)



**Product Code:** 167.YABSM

**Construction:** Brass Body (CuZn40Pb2), EN CW617N (equivalent to BS CZ122), Zinc-alloy handle

**Finish:** Chrome plated to BS EN 248

**Water Pressure:** Min. 0.5 bar (handset), 1.5 bar (spout) Max. 5.0 bar

**Plumbing Systems:** Suitable for all plumbing systems, Hot and Cold water pressure preferably balanced; Max. supply pressure differential requirement no greater than 5:1

**Standards:** Complies with BS5412, BS EN 200

**Cartridge:** 40mm ceramic disc cartridge

**Aerator:** Laminar stream straightener

**Fitting:** Brass G3/4" BSP tails

**Packaging:** 40 x 40 x 32cm /carton (8 boxes)  
Dimension: 19 x 19 x 15cm / box  
Weight: 2Kg / box

**Guarantee:** 10 years against manufacturing faults (excluding serviceable parts)

**Additional Information:** Supplied with Chrome Stainless steel 1.5m hose, single mode ABS handset & wall mounted ABS holder

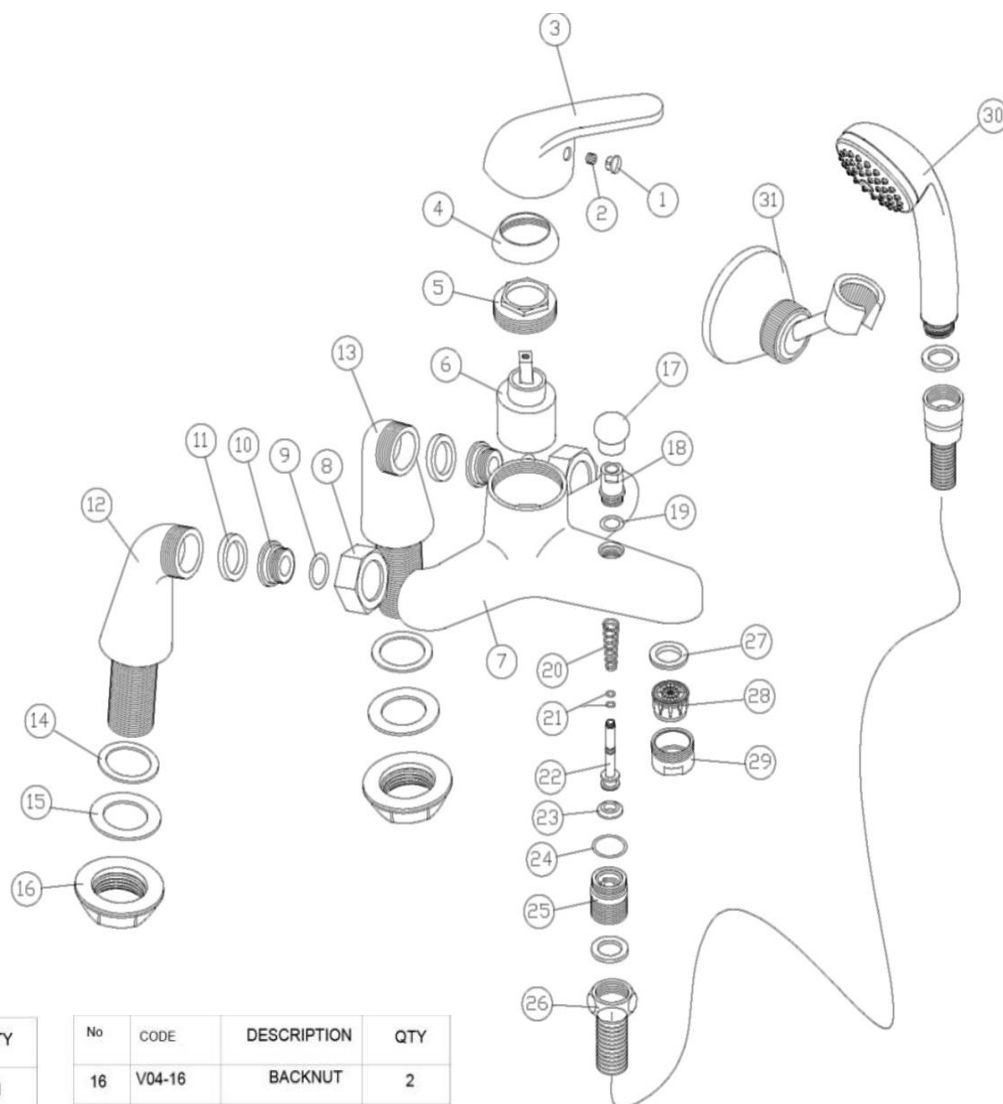
### Flow Rates (litres per minute)

System Pressure	0.1 Bar	0.2 Bar	0.3 Bar	0.5 Bar	1.0 Bar	1.5 Bar	2.0 Bar	3.0 Bar	4.0 Bar	5.0 Bar
167.YABSM	3.4	4.8	-	7.5	10.8	13.5	15.5	19.0	-	-

All dimensions are in millimetres unless otherwise stated. The information contained on this page was correct at date of issue. Fitting dimensions are provided as a guide only. Some variation may occur due to manufacturing tolerances. We pursue a policy of continuing improvement in design and performance of our products and so reserve the right to change specifications without prior notice.

# 167.YABSM

THE TUNBRIDGE WELLS  
Brassware Co.



No	CODE	DESCRIPTION	QTY
1	V04-01	INDICE	1
2	V04-02	SCREW	1
3	V04-03	HANDLE	1
4	V04-04	CARTRIDGE COVER	1
5	V04-05	CARTRIDGE NUT	1
6	V04-06	Φ40 FLAT-BASE CARTRIDGE	1
7	V04-07	BODY	1
8	V04-08	NUT	2
9	V04-09	"O" RING	2
10	V04-10	CONNECTOR	2
11	V04-11	WASHER	2
12	V04-12	LEFT BATH PILLAR	1
13	V04-13	RIGHT BATH PILLAR	1
14	V04-14	WASHER	2
15	V04-15	WASHER	2

No	CODE	DESCRIPTION	QTY
16	V04-16	BACKNUT	2
17	V04-17	DIVERTOR	1
18	V04-18	CONNECTOR	1
19	V04-19	"O" RING	1
20	V04-20	SHORT SPRING	1
21	V04-21	"O" RING	2
22	V04-22	DIVERTOR STEM	1
23	V04-23	WASHER	1
24	V04-24	"O" RING	1
25	V04-25	HOSE CONNECTOR	1
26	V04-26	Φ9x1.5M HOSE	1
27	V04-27	WASHER	1
28	V04-28	AERATOR	1
29	V04-29	M24*1 NOZZLE	1
30	V04-30	HANDSHOWER	1
31	V04-31	SHOWER HOLDER	1