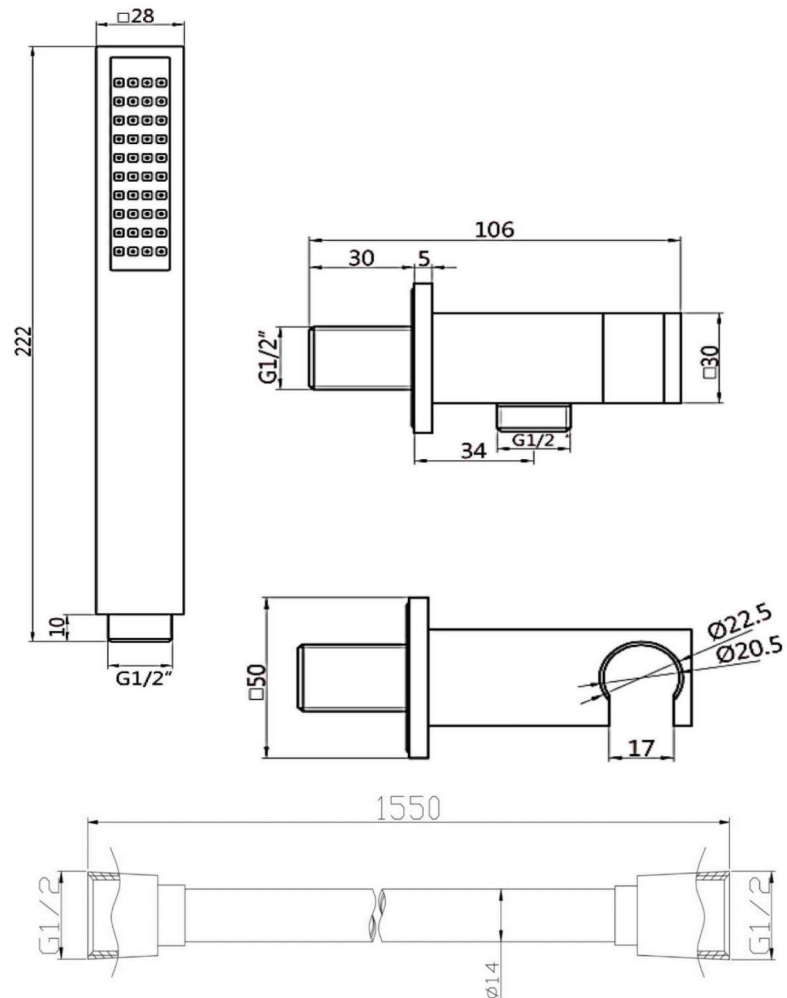


Bedgebury Square Handset Including Bracket and Hose - Matt Black



Product Code: 167.SSHWBBL

Construction: Brass Body

Finishes: Matt Black

Water Pressure: Min. 0.5 bar, Max. 6.0 bar

Plumbing Systems:

Suitable for all plumbing systems, Hot and Cold water pressure preferably balanced
Max. supply pressure differential requirement no greater than 5:1

Fitting: Brass G $\frac{1}{2}$ " BSP tail inlet & G $\frac{1}{2}$ " BSP Male thread outlet

Packaging: 56 x 46 x 42cm/carton (20 boxes),
Dimension: 26 x 17 x 8cm/box;
Weight: 0.95Kg/box

Guarantee: 1 year against manufacturing faults
(Excluding serviceable parts)

Additional Information:

- i) Chrome , ABS single mode shower handset , G $\frac{1}{2}$ " BSP
- ii) Chrome , Stainless steel shower hose , 1.5m , G $\frac{1}{2}$ " BSP
- iii) Integrated wall elbow outlet and handset holder

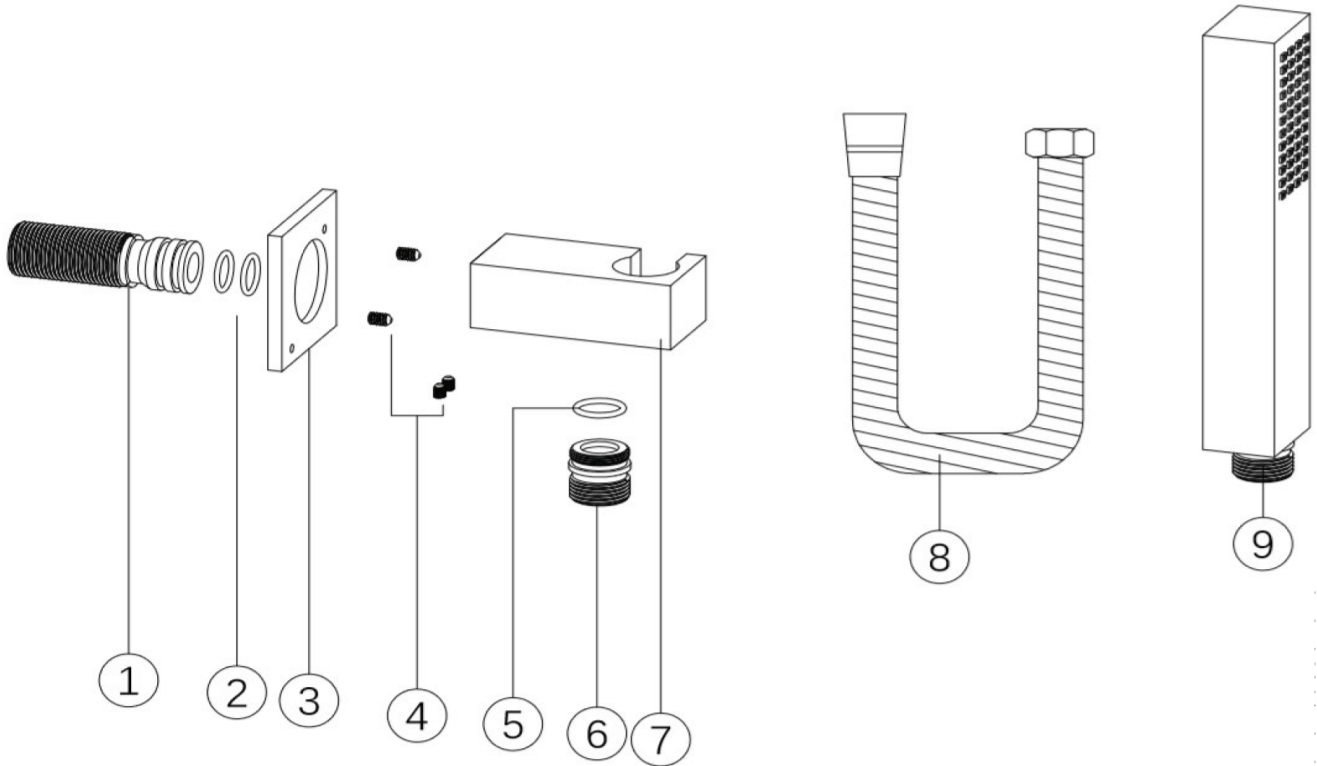
Flow Rates (litres per minute)

System Pressure	0.1 Bar	0.2 Bar	0.3 Bar	0.5 Bar	1.0 Bar	1.5 Bar	2.0 Bar	3.0 Bar	4.0 Bar	5.0 Bar
167.SSHWBBL	-	3.1	4.6	7.7	9.7	12.2	14.3	15.8	-	-

All dimensions are in millimetres unless otherwise stated. The information contained on this page was correct at date of issue. Fitting dimensions are provided as a guide only. Some variation may occur due to manufacturing tolerances. We pursue a policy of continuing improvement in design and performance of our products and so reserve the right to change specifications without prior notice.

167.SSHWBBL

THE TUNBRIDGE WELLS
Brassware Co.



NO.	PARTS DESCRIPTION	QTY
1	BRASS INLET CONNECTOR	1
2	Ø20*2 NBR O-RING	2
3	BRASS BASE PLATE	1
4	M4*5 S/STEEL GRUB SCREW	4
5	NBR OUTLET CONNECTOR O-RING	1
6	BRASS OUTLET CONNECTOR	1
7	BRASS HANDSET HOLDER	1
8	1.5M PVC SHOWER HOSE	1
9	ABS SHOWER HANDSET	1