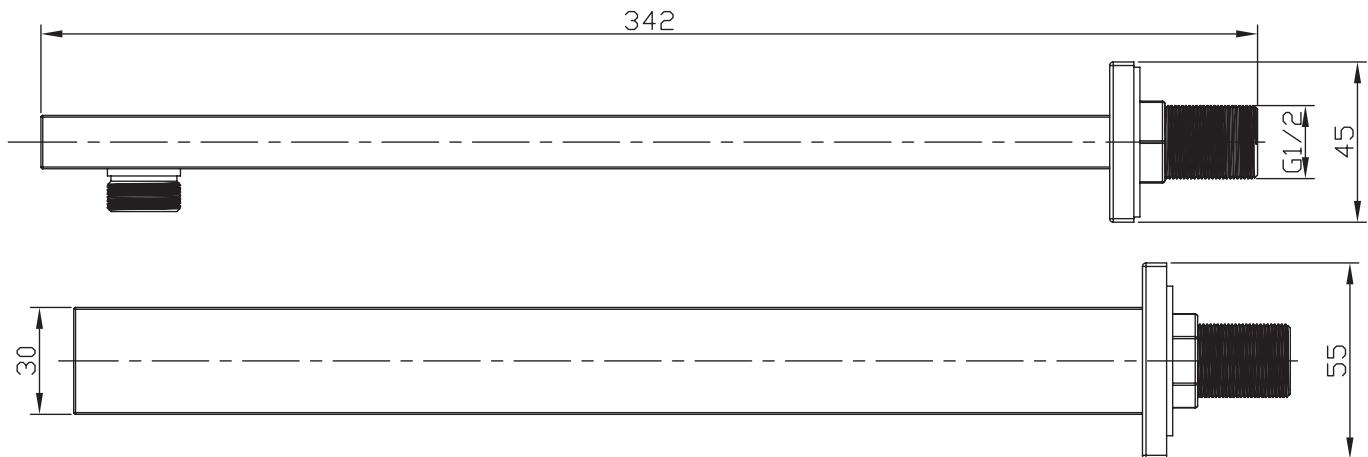


DATA SHEET

THE TUNBRIDGE WELLS
Brassware Co.

167.SSA Bedgebury Square Shower Arm

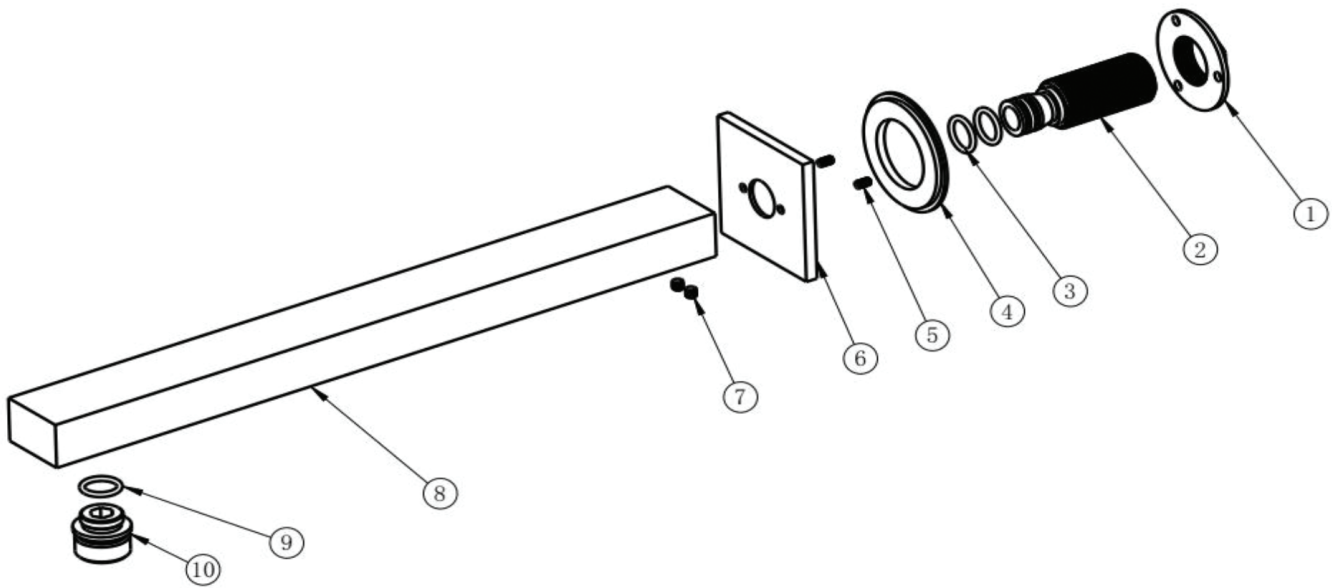


Product Code:	Chrome 167.SSA Matt Black 167.SSABL Brushed Brass 167.SSABB	Fitting:	G1/2" BSP external (male) thread
Construction:	Brass	Packaging:	60 x 44 x 34cm / carton (50 boxes) Dimension: 38 x 6.5 x 6.5cm / box
Finishes:	Chrome plated to BS EN 248 Black Matt black Brass Brushed Brass	Weight:	0.52Kg / box
Plumbing Systems:	Suitable for all plumbing systems	Guarantee:	5 Year against manufacturing faults (excluding serviceable parts)

All dimensions are in millimetres unless otherwise stated. The information contained on this page was correct at date of issue. Fitting dimensions are provided as a guide only. Some variation may occur due to manufacturing tolerances. We pursue a policy of continuing improvement in design and performance of our products and so reserve the right to change specifications without prior notice.

167.SSA/BL/BB

THE TUNBRIDGE WELLS
Brassware Co.



No.	DESCRIPTION	QTY
1	BRASS NUT	1
2	SS201 S/STEEL INLET CONNECTOR	1
3	NBR O-RING	2
4	BASE PLATE WASHER	1
5	M3*6 BASE PLATE GRUB SCREW	2
6	BRASS BASE PLATE	1
7	M4*4 SPOUT POINTED GRUB SCREW	2
8	30*20*300 BRASS SHOWER ARM	1
9	Ø16*2 OUTLET NBR O-RING	1
10	G1/2 BRASS OUTLET CONNECTOR	1