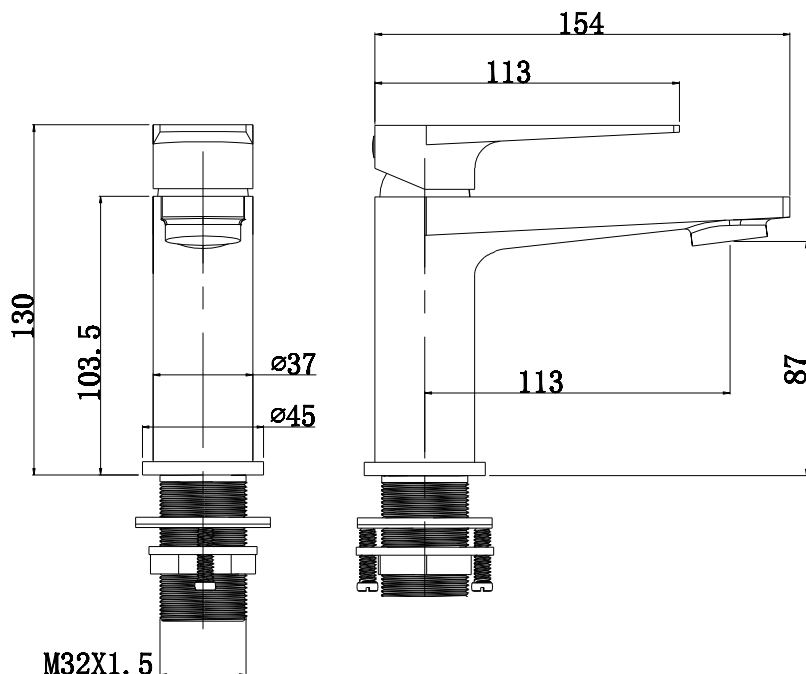


Scotney Mini Mono Basin Mixer (Inc. Waste)



Product Code: Chrome 167.SNMBM

Construction: Brass Body (CuZn40Pb2),
EN CW617N
(equivalent to BS CZ122)
Zinc-alloy handle

Finishes: Chrome
(Ni : 8-12 µm, CR : 0.25-0.3 µm)

Water Pressure: Min. 0.3 bar, Max. 6.0 bar

Plumbing Systems: Suitable for all plumbing systems,
preferably balanced Max.
supply pressure differential
requirement no greater than 5:1

Standards: Complies with BS6920, BS EN200

Certification: Manufactured to comply with ACS

Cartridge: WRAS approved ceramic disc cartridge

Aerator: Neoperl Spout aerator

Fitting: UK: M10 x 350mm G½"
BSP female flexi tails
EU: M10 x 350mm G3/8"
BSP female flexi tails

Packaging: 46 x 28 x 34cm / carton (8 boxes)
Dimension: 27 x 22 x 8cm / box
Weight: 1.44Kg / box

Guarantee: 10 years against manufacturing
faults (Excluding serviceable parts)

Additional Information: Supplied with G1¼"
Slotted Click Clack Waste

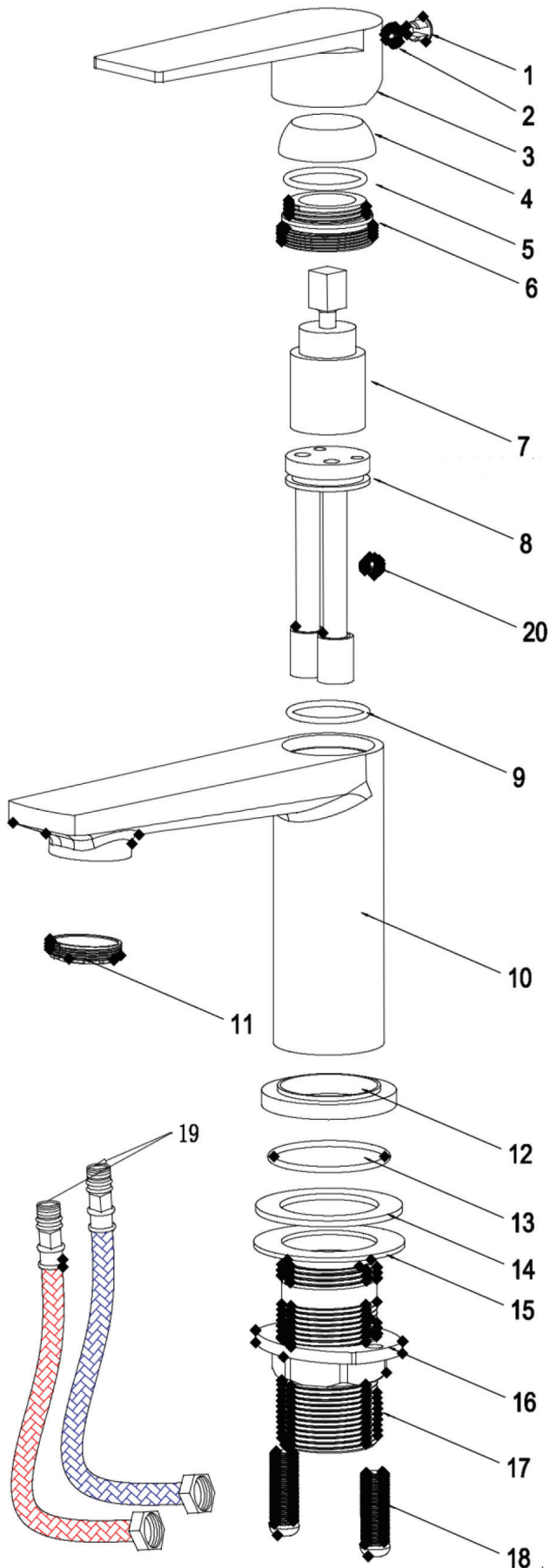
Flow Rates (litres per minute)

System Pressure	0.1 Bar	0.2 Bar	0.3 Bar	0.5 Bar	1.0 Bar	1.5 Bar	2.0 Bar	3.0 Bar	4.0 Bar	5.0 Bar
167.SNMBM	1.5	2.8	-	4.9	7.5	-	11.0	13.2	-	-

All dimensions are in millimetres unless otherwise stated. The information contained on this page was correct at date of issue. Fitting dimensions are provided as a guide only. Some variation may occur due to manufacturing tolerances. We pursue a policy of continuing improvement in design and performance of our products and so reserve the right to change specifications without prior notice.

167.SNMBM

THE TUNBRIDGE WELLS
Brassware Co.



20	SCREW	1
19	FLEXT TAIL	2
18	SCREW	2
17	BSP TAIL	1
16	BACK NUT	1
15	WASHER	1
14	RUBBER GASKET	1
13	O-RING	1
12	BASE PLATE	1
11	AERATOR	1
10	TAP BODY	1
9	O-RING	1
8	PVC BLOCK	1
7	CARTRIDGE	1
6	LOCK NUT	1
5	O-RING	1
4	COVER	1
3	HANDLE	1
2	SCREW	1
1	COVER CAP	1
No.	DESCRIPTION	QTY