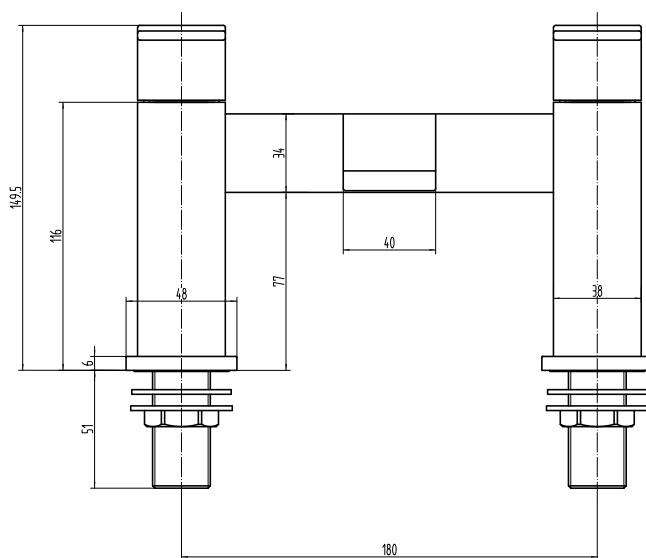
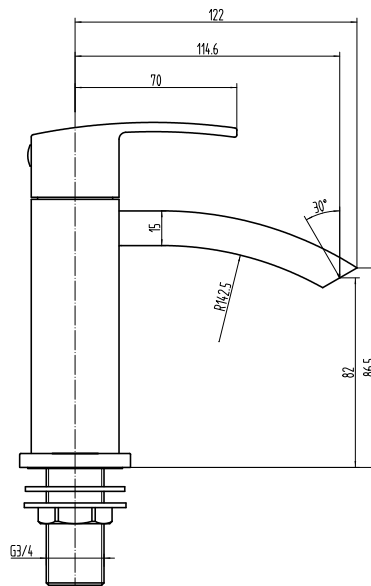


## Salomon Deck Mounted Bath Filler (Excl. Waste)



**Product Code:** Chrome 167.SMDMBF  
Matt Black 167.SMDMBFBL

**Construction:** Brass Body (CuZn40Pb2),  
EN CW617N  
(equivalent to BS CZ122)  
Zinc-alloy handle

**Water Pressure:** Min. 0.5 bar, Max. 6.0 bar

**Plumbing Systems:**

Suitable for all plumbing systems,  
Hot and Cold water pressure  
preferably balanced Max.  
supply pressure differential  
requirement no greater than 5:1

**Standards:** Complies with BS5412, BS EN200

**Certification:** WRAS (1709044) approved

**Cartridge:** 1/4 turn 3/4" ceramic disc valves

**Aerator:** Laminar spout

**Fitting:** Brass G3/4" BSP tails

**Packaging:** 48.5 x 27 x 35cm/carton (10 boxes)  
Dimension: 26 x 23.5 x 17cm / box  
Weight: 3.75Kg / box

**Guarantee:** 10 Years against manufacturing  
faults. Excluding serviceable parts

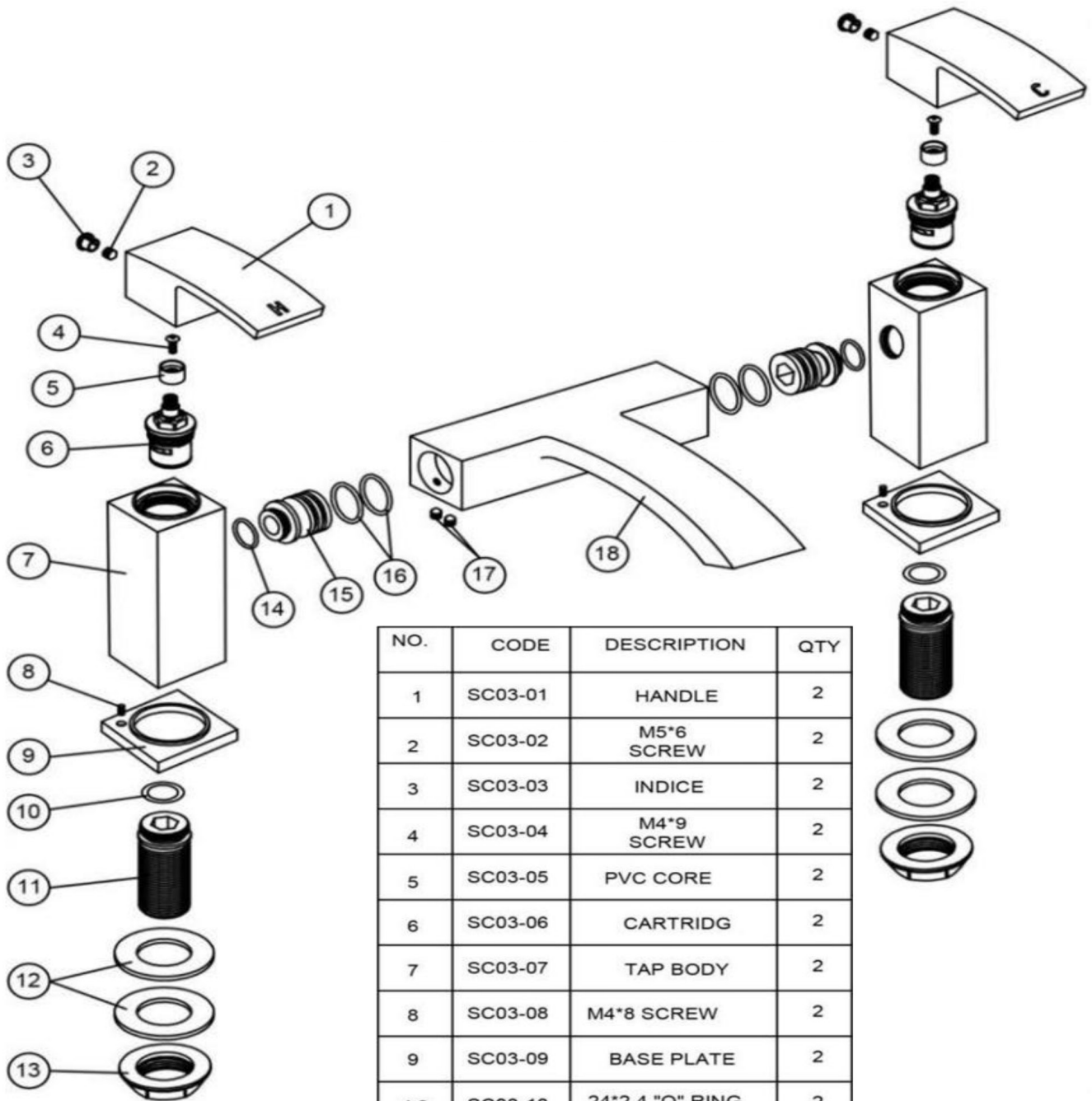
**Flow Rates** (litres per minute)

System Pressure	0.1 Bar	0.2 Bar	0.3 Bar	0.5 Bar	1.0 Bar	1.5 Bar	2.0 Bar	3.0 Bar	4.0 Bar	5.0 Bar
167.SMDMBF/BL	5.5	8.8	-	13.2	20.5	-	24.1	29.4	-	-

All dimensions are in millimetres unless otherwise stated. The information contained on this page was correct at date of issue. Fitting dimensions are provided as a guide only. Some variation may occur due to manufacturing tolerances. We pursue a policy of continuing improvement in design and performance of our products and so reserve the right to change specifications without prior notice.

# 167.SMDMBF/BL

THE TUNBRIDGE WELLS  
Brassware Co.



NO.	CODE	DESCRIPTION	QTY
1	SC03-01	HANDLE	2
2	SC03-02	M5*6 SCREW	2
3	SC03-03	INDICE	2
4	SC03-04	M4*9 SCREW	2
5	SC03-05	PVC CORE	2
6	SC03-06	CARTRIDG	2
7	SC03-07	TAP BODY	2
8	SC03-08	M4*8 SCREW	2
9	SC03-09	BASE PLATE	2
10	SC03-10	24*2.4 "O" RING	2
11	SC03-11	G3/4" BSP TAILS	2
12	SC03-12	G3/4" WASHER	4
13	SC03-13	BACK NUT	2
14	SC03-14	18*2 "O" RING	2
15	SC03-15	CONNECTOR	2
16	SC03-16	24*2.4 "O" RING	4
17	SC03-17	M5*6 SCREW	4
18	SC03-18	SPOUT	1