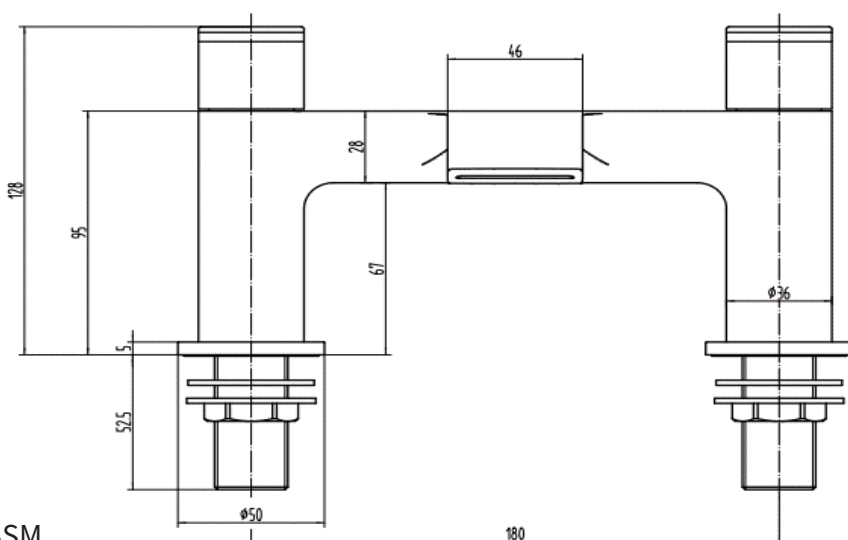


## Speldhurst Deck Mounted Bath Shower Mixer (Incl. Shower Kit)



**Product Code:** Chrome 167.SHDMBSM  
Matt Black 167.SHDMBSMBL

**Construction:** Brass Body (CuZn40Pb2),  
EN CW617N (equivalent to BS CZ122)  
Zinc-alloy handles

**Plumbing system:** Suitable for all plumbing systems, hot and cold water pressure pref. balanced

**Water Pressure:** Min. 0.5 bar, Max. 6.0 bar

**Standards:** Complies with BS5412, BS EN200

**Cartridge:** ¼ turn ¾" ceramic disc valves

**Aerator:** Laminar Spout

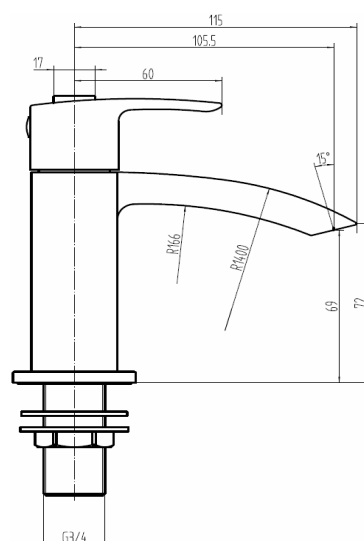
**Fitting:** Brass G¾" BSP tails

**Packaging:** 48.5 x 27 x 35.5cm / carton (8 boxes)  
Dimension: 26 x 23.5 x 17cm / box  
Weight: 3.00Kg / box

**Guarantee:** 10 years against manufacturer's faults (Excluding serviceable parts)

**Certification:** WRAS approved

**Additional Information:** Supplied with 1.5m hose (G1/2" BSP connections), single mode ABS handset, wall-mounted holder and outlet elbow.



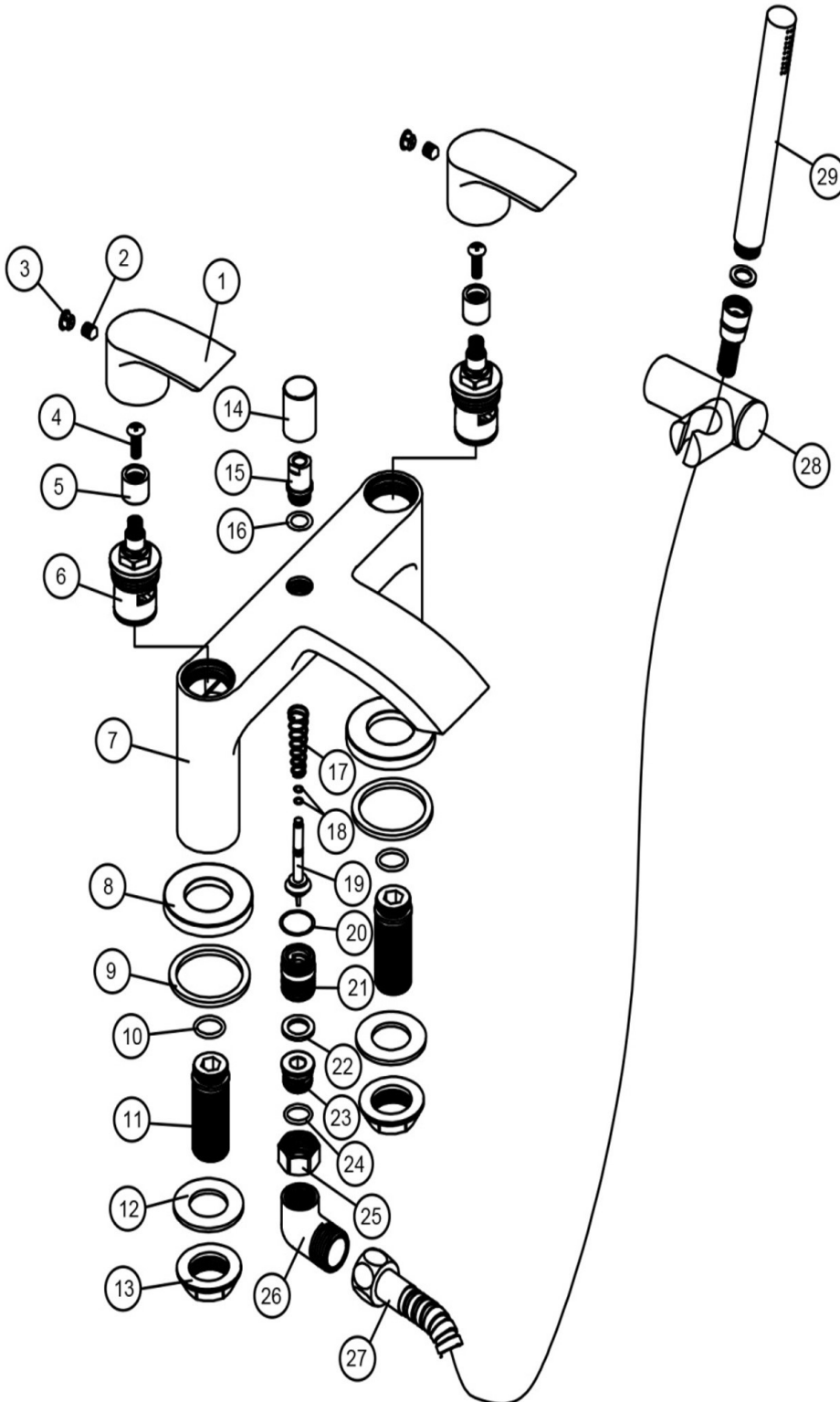
### Flow Rates (Litres per minute)

System Pressure	0.1 Bar	0.2 Bar	0.3 Bar	0.5 Bar	1.0 Bar	1.5 Bar	2.0 Bar	3.0 Bar	4.0 Bar	5.0 Bar
167.SHDMBSM**	9.5	11.2	-	16.1	21.9	26.3	30.2	36.0	-	-

All dimensions are in millimetres unless otherwise stated. The information contained on this page was correct at date of issue. Fitting dimensions are provided as a guide only. Some variation may occur due to manufacturing tolerances. We pursue a policy of continuing improvement in design and performance of our products and so reserve the right to change specifications without prior notice.

THE TUNBRIDGE WELLS  
Brassware Co.

167.SHDMBSM\*\*



NO.	CODE	DESCRIPTION	QTY
1	SB04-01	HANDLE	2
2	SB04-02	M5*6 SCREW	2
3	SB04-03	INDICE	2
4	SB04-04	M4*9 SCREW	2
5	SB04-05	PVC CORE	2
6	SB04-06	3/4" QUARTER-TURN CARTRIDGE	2
7	SB04-07	TAP BODY	1
8	SB04-08	50 BASE PLATE	2
9	SB04-09	46*38*2.5 WASHER	2
10	SB04-10	24*2.4 "O" RING	2
11	SB04-11	3/4" BSP TAILS	2
12	SB04-12	3/4" WASHER	2
13	SB04-13	BACK NUT	2
14	SB04-14	DIVERTOR	1
15	SB04-15	DIVERTOR CONNECTOR	1
16	SB04-16	12*2 "O" RING	1
17	SB04-17	SPRING	1
18	SB04-18	7*1.6 "O" RING	2
19	SB04-19	Diverter STEM	1
20	SB04-20	20*2 "O" RING	1
21	SB04-21	CONNECTOR	1
22	SB04-22	18*12*2 WASHER	1
23	SB04-23	FIXING NUT	1
24	SB04-24	16*2 "O" RING	1
25	SB04-25	FIXING CONNECTOR	1
26	SB04-26	HOSE CONNECTOR	1
27	SB04-27	1.5M SHOWER HOSE	1
28	SB04-28	SHOWER HOLDER	1
29	SB04-29	HAND SHOWER	1