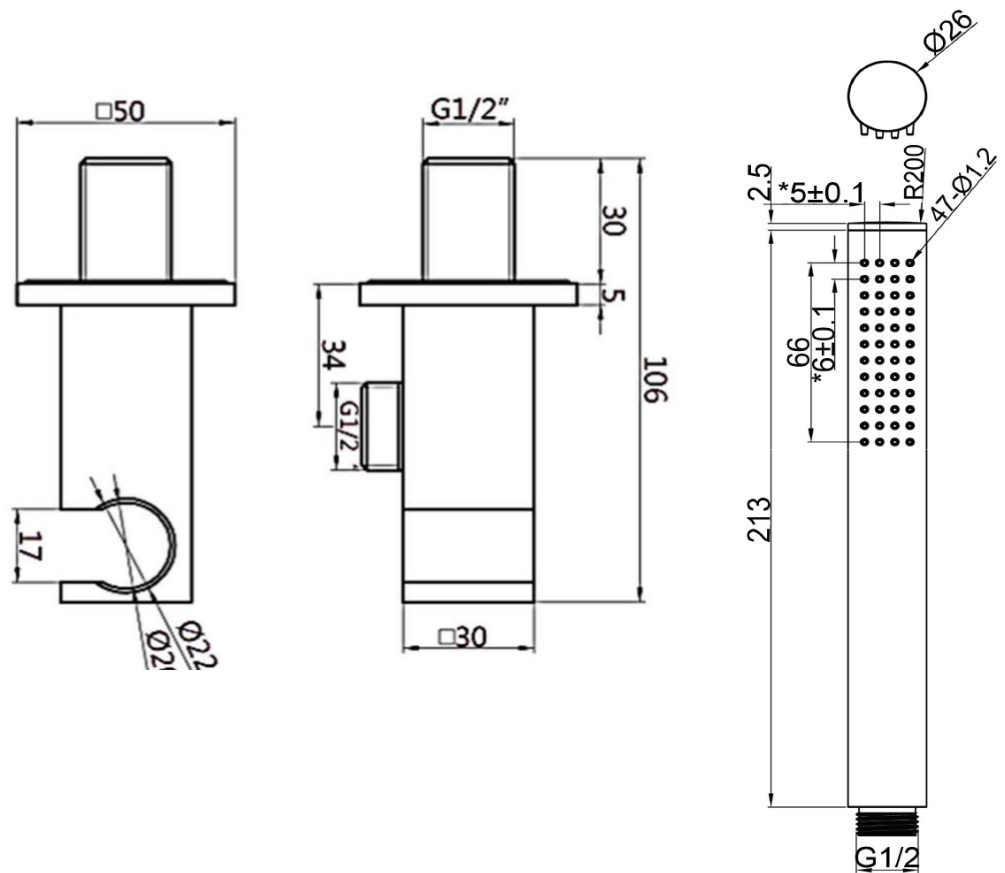


# DATA SHEET

THE TUNBRIDGE WELLS  
Brassware Co.

## Bewl Round Shower Handset Including Bracket and Hose - Brushed Brass



**Product Code:** 167.RSHWBBB

**Construction:** Brass Body

**Finishes:** Brushed Brass

**Water Pressure:** Min. 0.2 bar, Max. 5.0 bar

**Plumbing Systems:** Suitable for all plumbing systems, Hot and Cold water pressure preferably balanced  
Max. supply pressure differential requirement no greater than 5:1

**Fitting:** G1/2" BSP

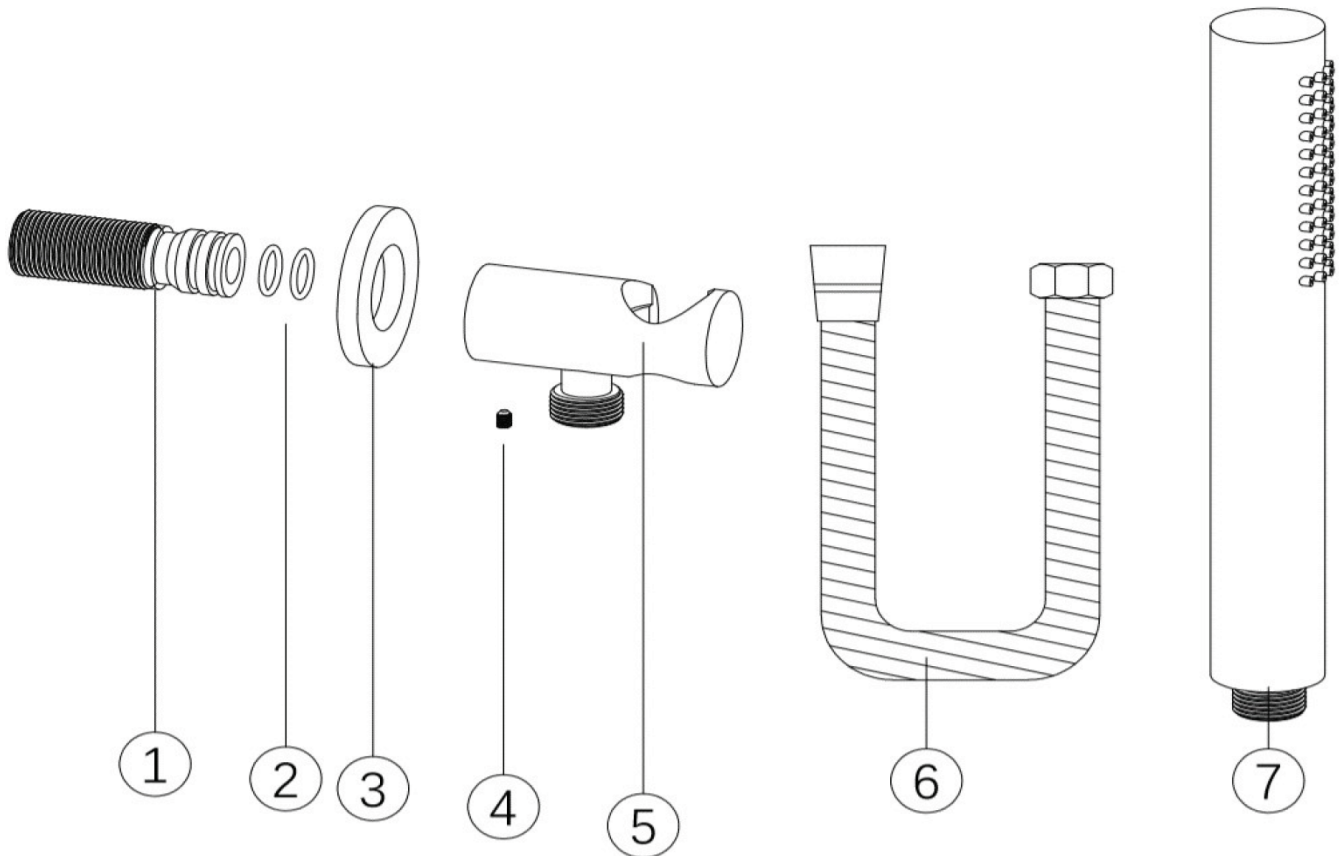
**Packaging:** 53.5 x 35.5 x 42cm/carton (20 boxes),  
Dimension: 26.5 x 17 x 8cm/box;  
Weight: 0.93Kg/box

**Guarantee:** 1 year against manufacturing faults  
(Excluding serviceable parts)

**Additional Information:** i) Brass handset  
ii) 1.5m PVC shower hose  
iii) Integrated Brass wall elbow

# 167.RSHWBBB

THE TUNBRIDGE WELLS  
Brassware Co.



NO.	PARTS DESCRIPTION	QTY
1	BRASS INLET CONNECTOR	1
2	O-RING	2
3	BRASS BASE PLATE	1
4	GRUB SCREW	1
5	BRASS OUTLET & HANDSET HOLDER	1
6	PVC SHOWER HOSE	1
7	SHOWER HANDSET	1