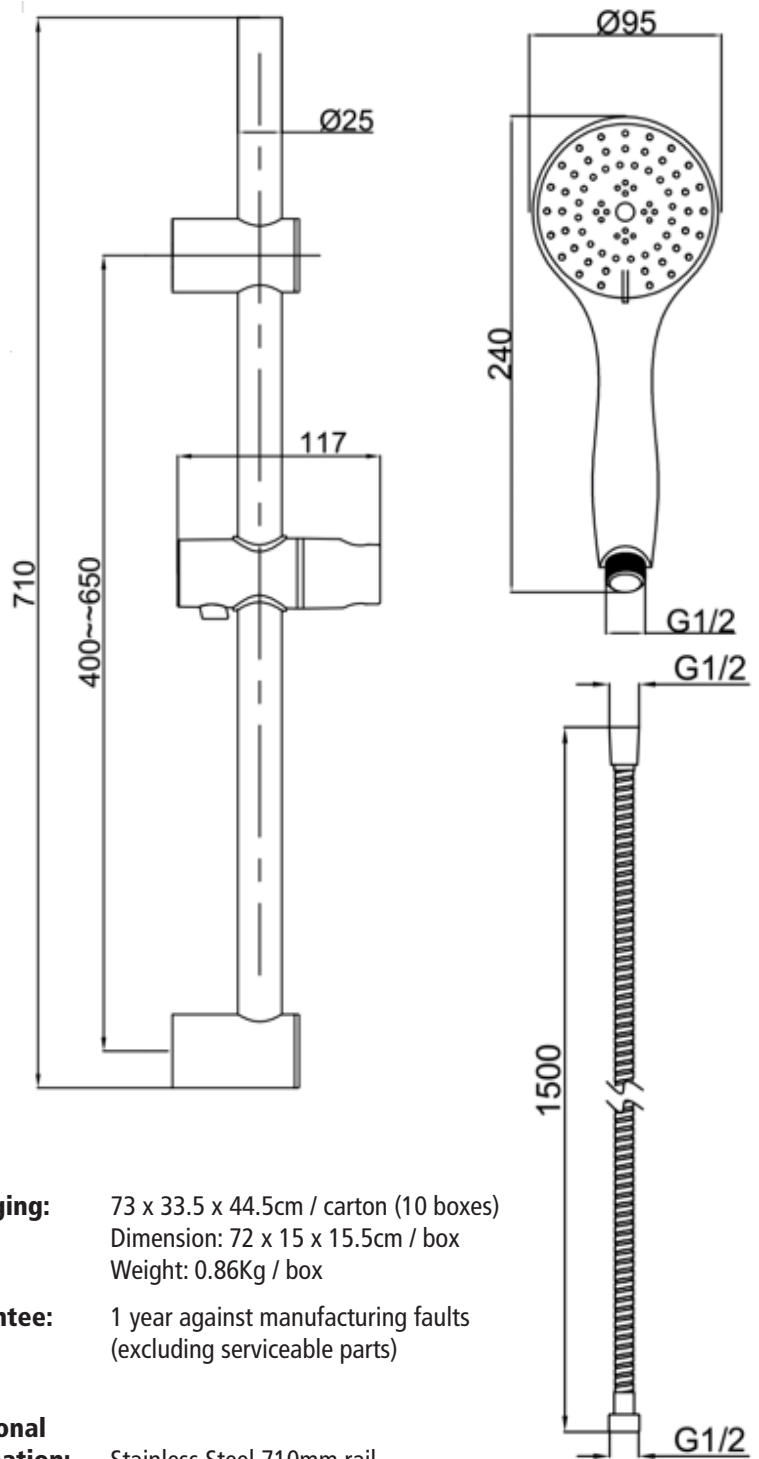


167.RRK/BL Bawl Round Riser Rail Kit



Product Code: Chrome 167.RRK
Matt Black 167.RRKBL

Construction: Chrome: Stainless steel & ABS
Black: Matt Black

Finishes: Chrome Plated to BS EN 248
Black: Matt Black

Water Pressure: Min. 1.0 bar Max 5.0 bar

Plumbing Systems: Suitable for all plumbing systems

Packaging: 73 x 33.5 x 44.5cm / carton (10 boxes)
Dimension: 72 x 15 x 15.5cm / box
Weight: 0.86Kg / box

Guarantee: 1 year against manufacturing faults
(excluding serviceable parts)

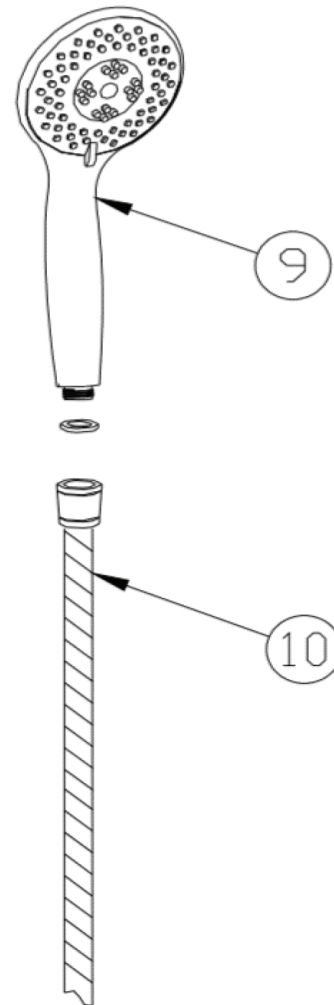
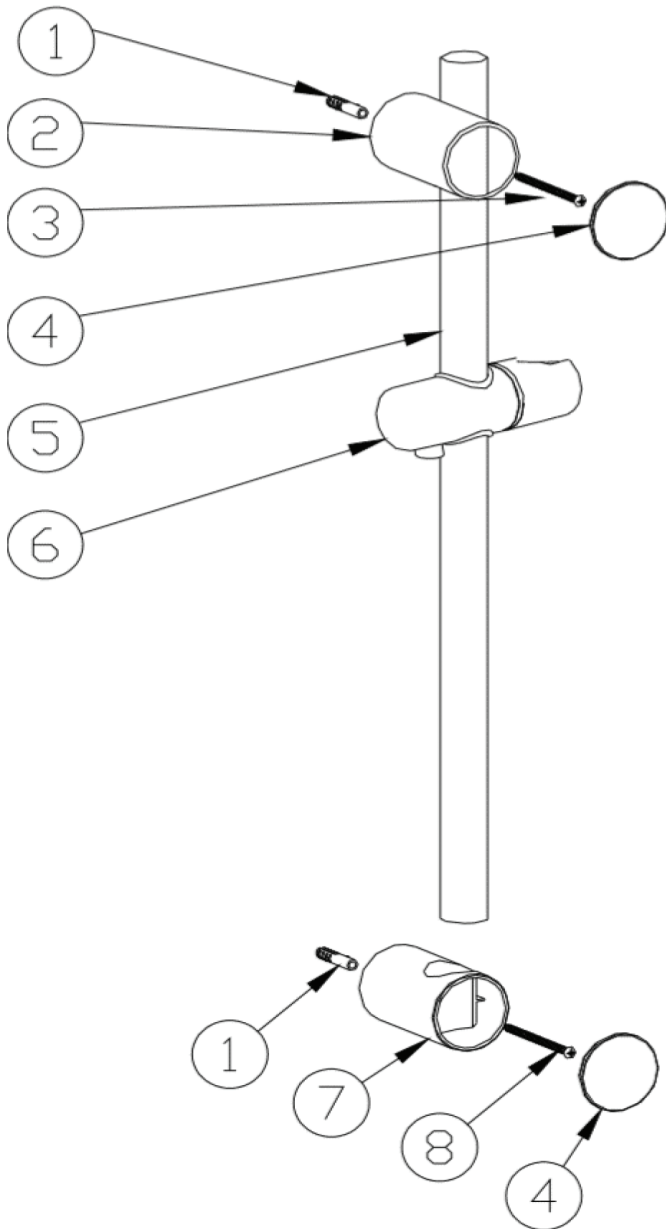
Additional Information: Stainless Steel 710mm rail
Adjustable ABS Handset Holder
ABS 3 modes Shower handset, G1/2" BSP
Stainless Steel 1.5m hose, G1/2" BSP

Flow Rates (litres per minute)

System Pressure	0.1 Bar	0.2 Bar	0.3 Bar	0.5 Bar	1.0 Bar	1.5 Bar	2.0 Bar	3.0 Bar	4.0 Bar	5.0 Bar
167.RRK/BL	-	3.3	-	4.2	5.5	7.0	8.0	9.2	-	-

167.RKK/BL

THE TUNBRIDGE WELLS
Brassware Co.



NO.	ITEM	QTY
1	WALL PLUG	2
2	UPPER RAIL BRACKET	1
3	SCREW	1
4	COVER CAP	2
5	STAINLESS STEEL RAIL	1
6	ABS HANDSET HOLDER	1
7	LOWER RAIL BRACKET	1
8	SCREW	1
9	ABS SHOWER HANDSET	1
10	1.5M S/STEEL SHOWER HOSE	1