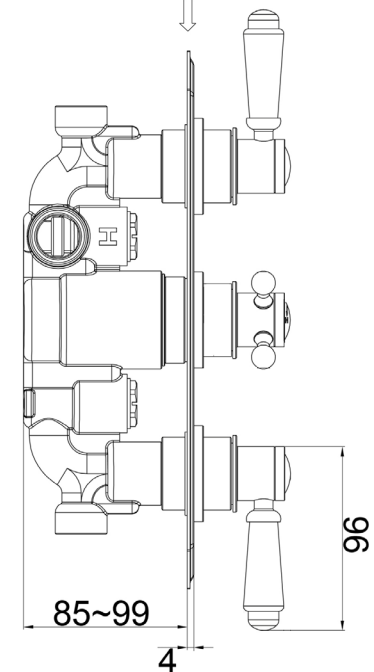
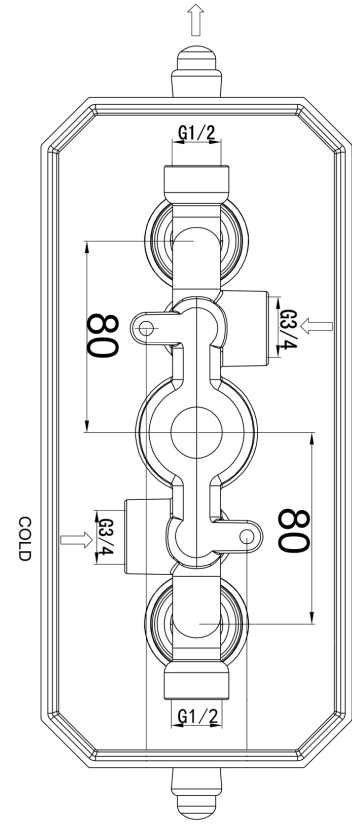
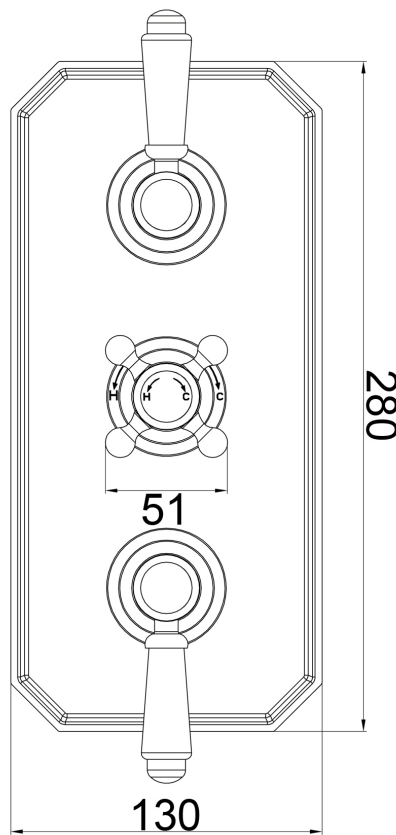


The Pantiles Two Way Concealed Thermostatic Shower - Double outlet



- Product Code:** Chrome 167.PT2TSV
- Construction:** Brass Body, (CuZn38Pb18); handles: Zinc-alloy body & ceramic indices
Wall plate: brass
- Finishes:** Chrome plated to BS EN 248
- Water Pressure:** Min 0.5 bar, max 6.0 bar
- Plumbing Systems:** Suitable for all plumbing systems, Hot and Cold water pressure preferably balanced Max. supply pressure differential requirement no greater than 5:1
- Standards:** Complies with BSEN 1111
- Certification:** Manufactured to comply with TMV2
- Cartridge:** Thermostatic cartridge & ceramic disc valve
- Check valve:** 0.5-10 gpm (EN1717)
- Fitting:** Inlet: Two brass G3/4" BSP female thread (hot and cold)
Outlet: One brass G1/2" BSP female thread
- Packaging:** 55.5 x 31 x 21cm/carton (4 boxes)
Dimension: 29.5 x 27 x 9.5cm/box
Weight: 4.00Kg/box
- Guarantee:** 10 years against manufacturing faults (Excluding serviceable parts)

Additional information:

1. Temperature: pre-set 38°C with push button override to 48°C
2. Automatic shut off in the event of hot or cold water supply failure

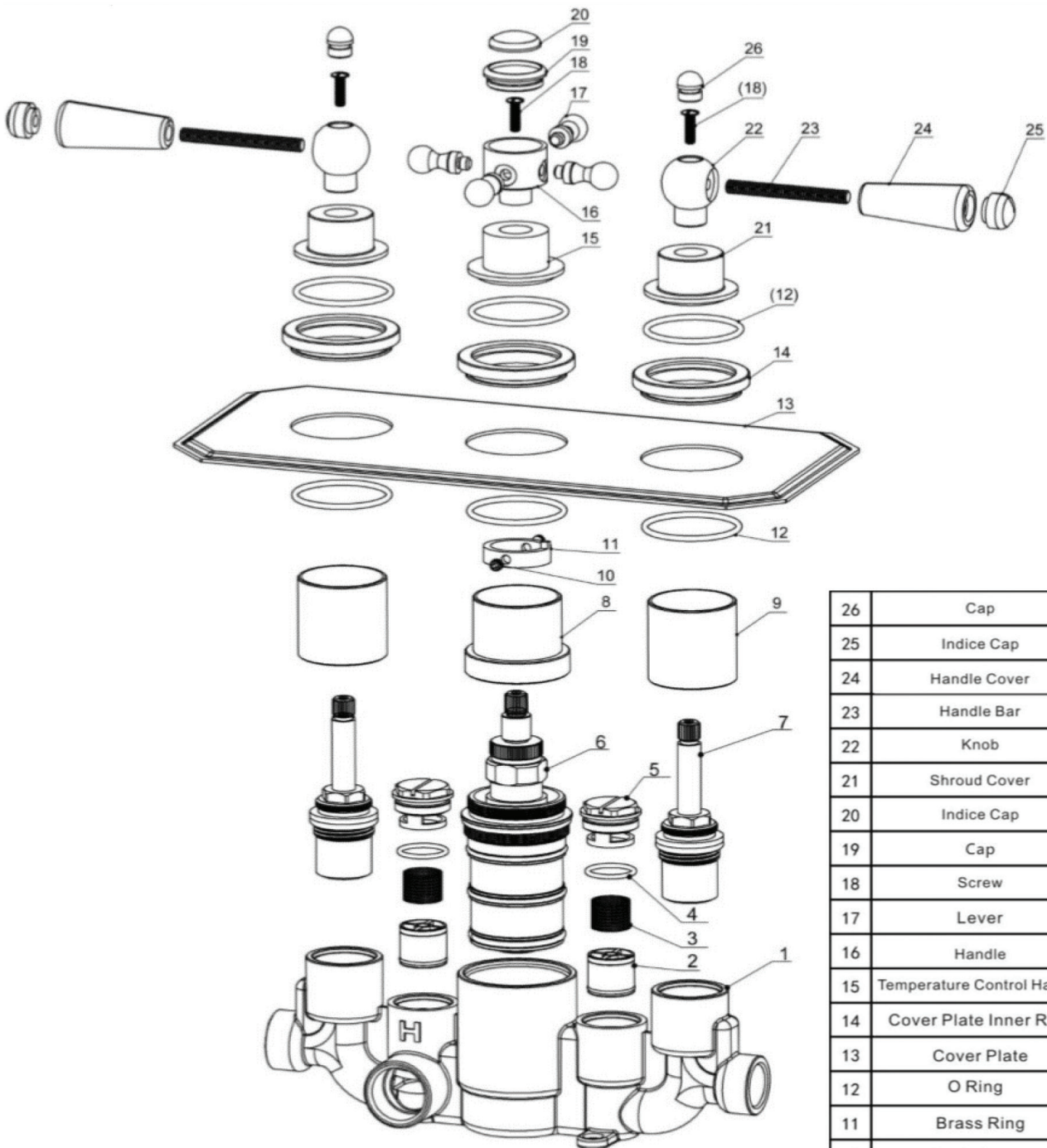
Flow Rates (litres per minute)

System Pressure	0.1 Bar	0.2 Bar	0.3 Bar	0.5 Bar	1.0 Bar	1.5 Bar	2.0 Bar	3.0 Bar	4.0 Bar	5.0 Bar
167.PT2TSV	-	-	-	13.5	19.5	22.8	27.7	34.2	39.5	44.2

All dimensions are in millimetres unless otherwise stated. The information contained on this page was correct at date of issue. Fitting dimensions are provided as a guide only. Some variation may occur due to manufacturing tolerances. We pursue a policy of continuing improvement in design and performance of our products and so reserve the right to change specifications without prior notice.

167.PT2TSV

THE TUNBRIDGE WELLS
Brassware Co.



26	Cap	2
25	Indice Cap	2
24	Handle Cover	2
23	Handle Bar	2
22	Knob	2
21	Shroud Cover	2
20	Indice Cap	1
19	Cap	1
18	Screw	3
17	Lever	4
16	Handle	1
15	Temperature Control Handle	1
14	Cover Plate Inner Ring	3
13	Cover Plate	1
12	O Ring	6
11	Brass Ring	1
10	Grub Screw	2
9	Flow Control Valve Shroud	2
8	Temperature Housing Shroud	1
7	Flow Control On/Off Cartridge	2
6	Thermostatic Cartridge	1
5	Brass Nut	2
4	O Ring	2
3	Thread	2
2	Filter	2
1	Valve Body	1
Item	DESCRIPTION	QTY