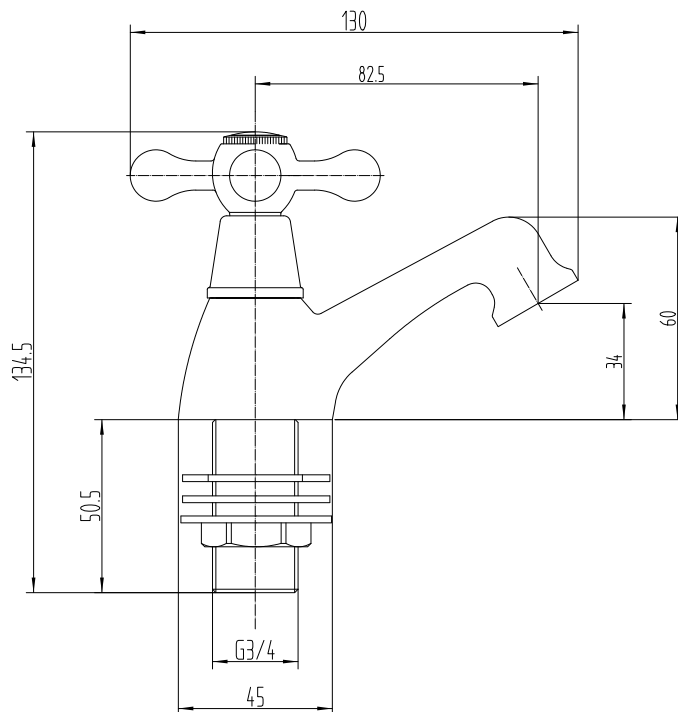


DATA SHEET

THE TUNBRIDGE WELLS
Brassware Co.

Penshurst Bath Taps (Excl. Waste)



Product Code: Chrome 167.PHBAT

Construction: Brass Body (CuZn40Pb18), Zinc-alloy handles

Finishes: Chrome plated to BS EN 248

Water

Pressure: Min. 1.0 bar, Max. 6.0 bar

Plumbing Systems:

Suitable for all plumbing systems, Hot and Cold water pressure preferably balanced Max. supply pressure differential requirement no greater than 5:1

Standards: Complies with BS5412, BS EN 200

Cartridge: ¼ turn, 1/2" ceramic disc valves

Fitting: Brass G3/4" BSP tails

Aerator: Laminar stream straightener

Packaging: 36 x 30.5 x 33cm /carton (10 boxes)
Dimension: 29 x 16 x 6.5cm / box
Weight: 1.05Kg / box

Guarantee: 10 years against manufacturing faults (excluding serviceable parts)

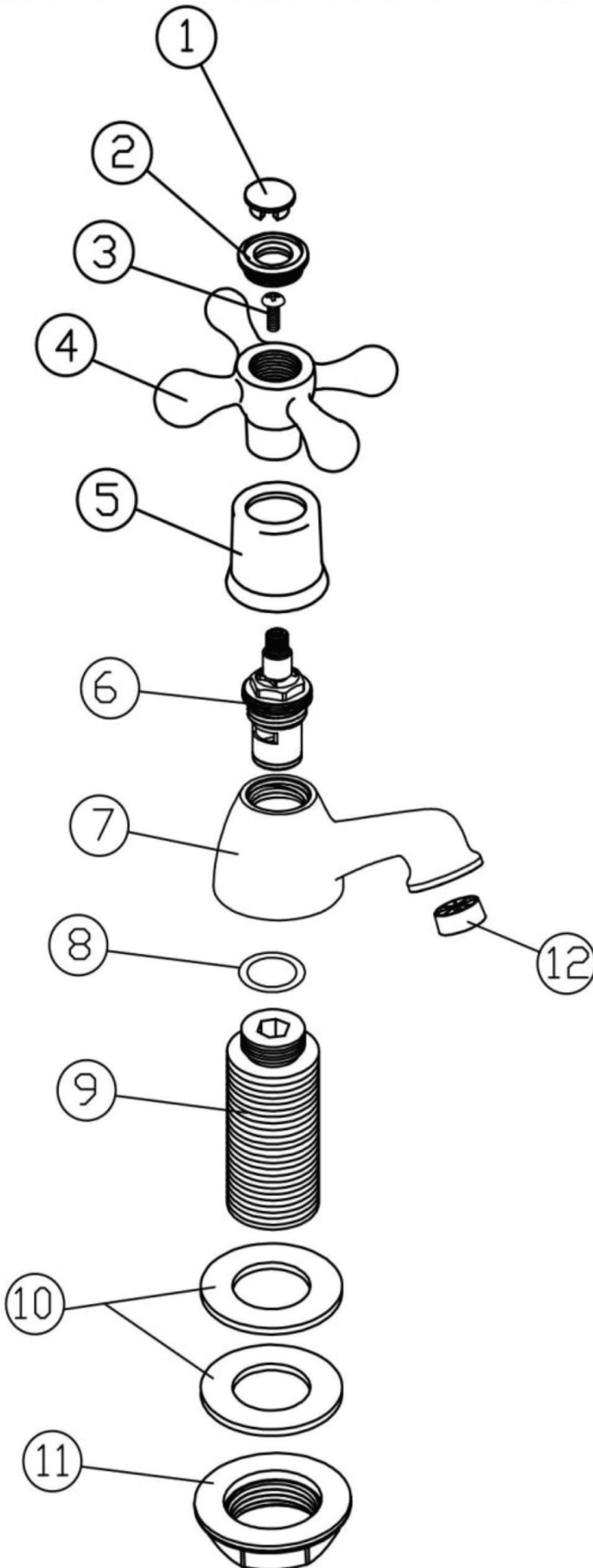
Flow Rates (litres per minute)

System Pressure	0.1 Bar	0.2 Bar	0.3 Bar	0.5 Bar	1.0 Bar	1.5 Bar	2.0 Bar	3.0 Bar	4.0 Bar	5.0 Bar
167.PHBAT	-	5.5	-	9.5	14.0	14.2	20.5	25.0	-	-

All dimensions are in millimetres unless otherwise stated. The information contained on this page was correct at date of issue. Fitting dimensions are provided as a guide only. Some variation may occur due to manufacturing tolerances. We pursue a policy of continuing improvement in design and performance of our products and so reserve the right to change specifications without prior notice.

167.PHBAT

THE TUNBRIDGE WELLS
Brassware Co.



NO.	ITEM CODE	DESCRIPTION	QTY
1	K01-01	INDICE	1 PAIR
2	K01-02	INDICE COVER	2
3	K01-03	SCREW	2
4	K01-04	HANDLE	2
5	K01-05	CARTRIDGE COLLAR	2
6	K01-06	1/2" 1/4-TURN Cartridge G1/2" 1/4-TURN	1 PAIR
7	K01-07	G3/4" BODY	2
8	K01-08	"O" RING	2
9	K01-09	3/4" BSP Tails	2
10	K01-10	WASHER	4
11	K01-11	BACK NUT	2
12	K01-12	AERATOR	2