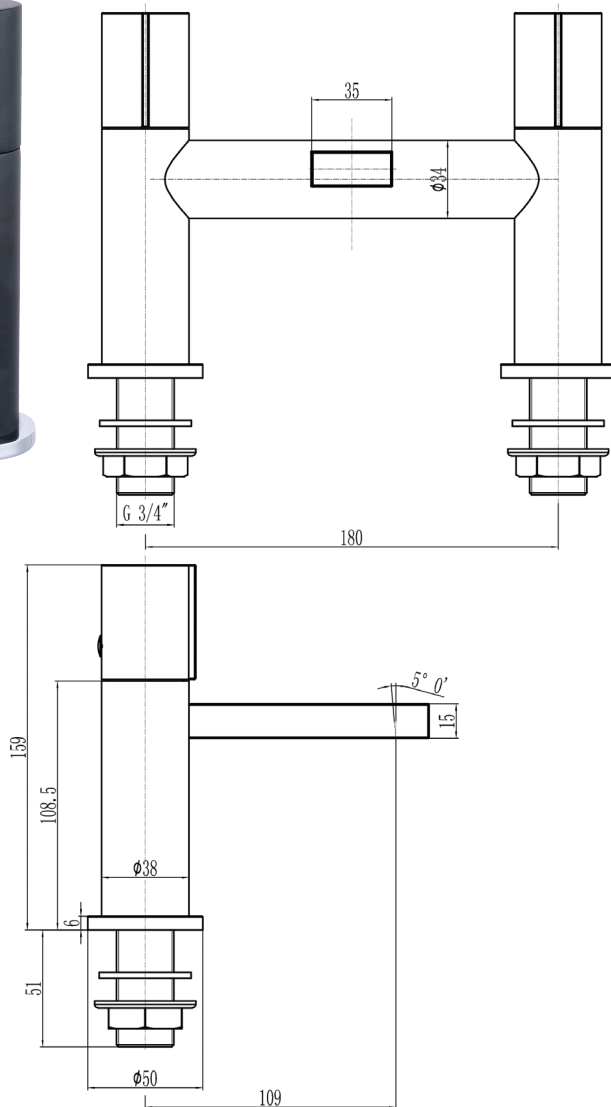


# DATA SHEET

THE TUNBRIDGE WELLS  
Brassware Co.

## Pembury Deck Mounted Bath Filler (Excl. Waste)



**Product Code:** Chrome 167.PBDMBF  
Matt Black 167.PBDMBFBL

**Construction:** Brass Body (CuZn40Pb2),  
EN CW617N  
(equivalent to BS CZ122)  
Zinc-alloy handle

**Water Pressure:** Min. 1.0 bar, Max. 6.0 bar

### Plumbing

**Systems:** Suitable for all plumbing systems,  
Hot and Cold water pressure  
preferably balanced Max.  
supply pressure differential  
requirement no greater than 5:1

**Standards:** Complies with BS5412, BS EN200

**Cartridge:** 1/4 turn 3/4" ceramic disc valves

**Aerator:** Spout aerator

**Fitting:** Brass G3/4" BSP tails

**Packaging:** 41.5 x 25.5 x 33.5cm / carton  
(4 boxes)  
Dimension: 24 x 20 x 16cm / box  
Weight: 2.13Kg / box

**Guarantee:** 10 Years against manufacturing  
faults. Excluding serviceable parts

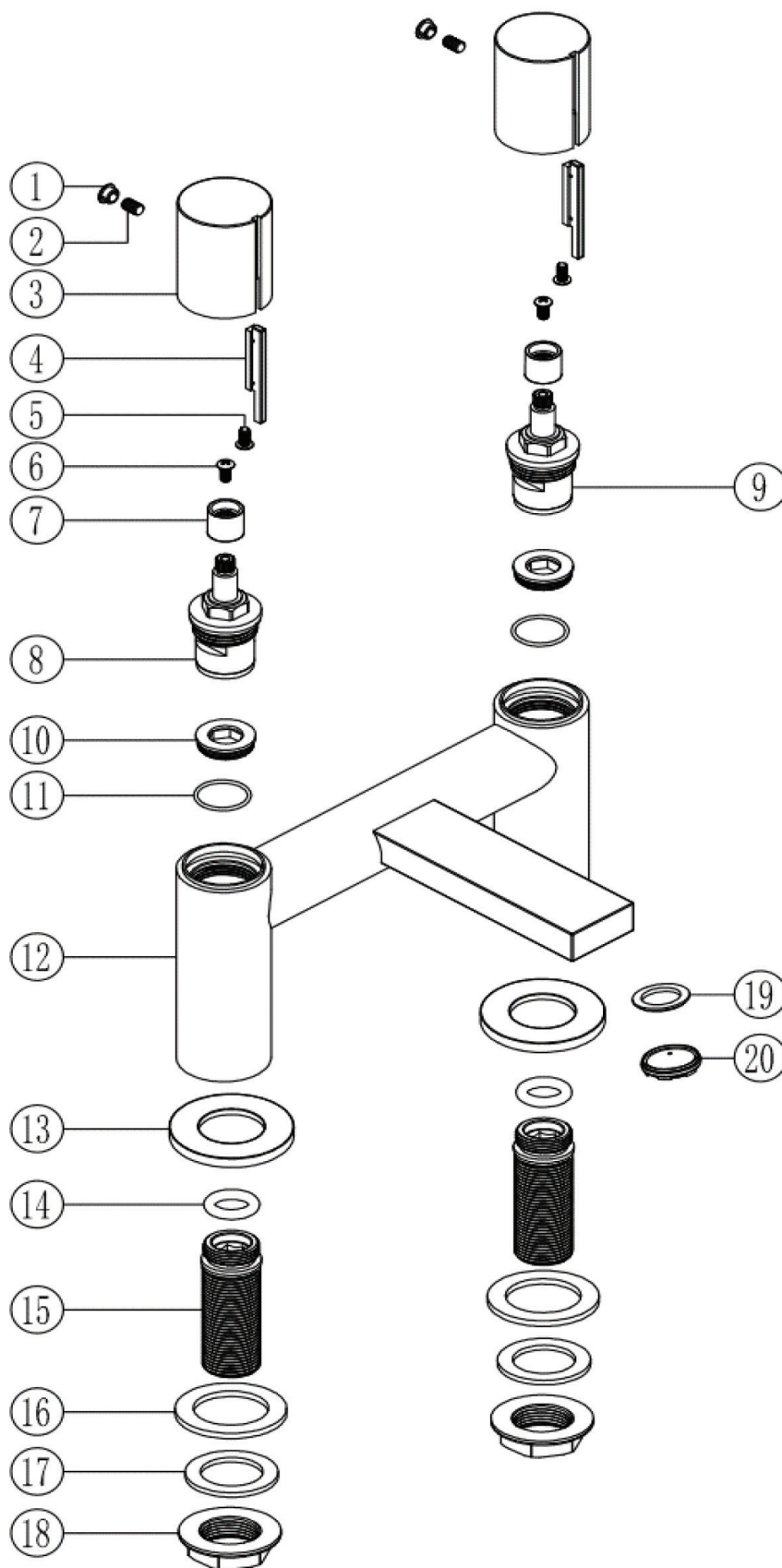
### Flow Rates (litres per minute)

System Pressure	0.1 Bar	0.2 Bar	0.3 Bar	0.5 Bar	1.0 Bar	1.5 Bar	2.0 Bar	3.0 Bar	4.0 Bar	5.0 Bar
167.PBDMBF/BL	-	6.6	-	9.7	14.8	18.1	21.1	25.7	-	-

All dimensions are in millimetres unless otherwise stated. The information contained on this page was correct at date of issue. Fitting dimensions are provided as a guide only. Some variation may occur due to manufacturing tolerances. We pursue a policy of continuing improvement in design and performance of our products and so reserve the right to change specifications without prior notice.

# 167.PBDMBF/BL

THE TUNBRIDGE WELLS  
Brassware Co.



NO.	DESCRIPTION	QTY
1	COVER CAP	2
2	GRUB SCREW	4
3	HANDLE	2
4	DECORATIVE STRIP	2
5	GRUB SCREW	2
6	SCREW	2
7	PLASTIC INSERT	2
8	HOT CARTRIDGE	1
9	COLD CARTRIDGE	1
10	CARTRIDGE SEAT	2
11	O-RING	2
12	WELDED BODY	1
13	BASE PLATE	2
14	O-RING	2
15	BSP TAIL	2
16	RUBBER WASHER	4
17	RUBBER WASHER	2
18	PLASTIC LOCK NUT	2
19	SPOUT WASHER	1
20	AERATOR	1