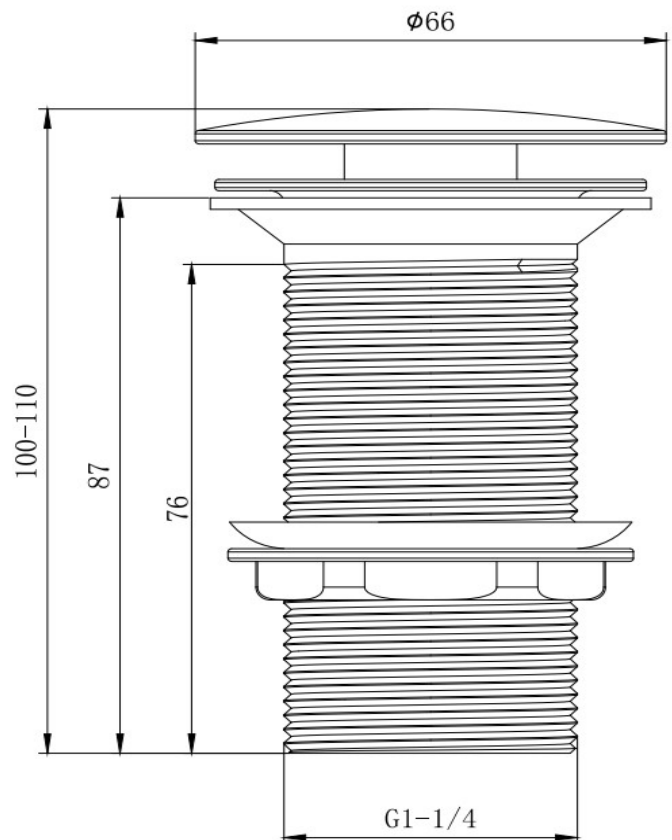


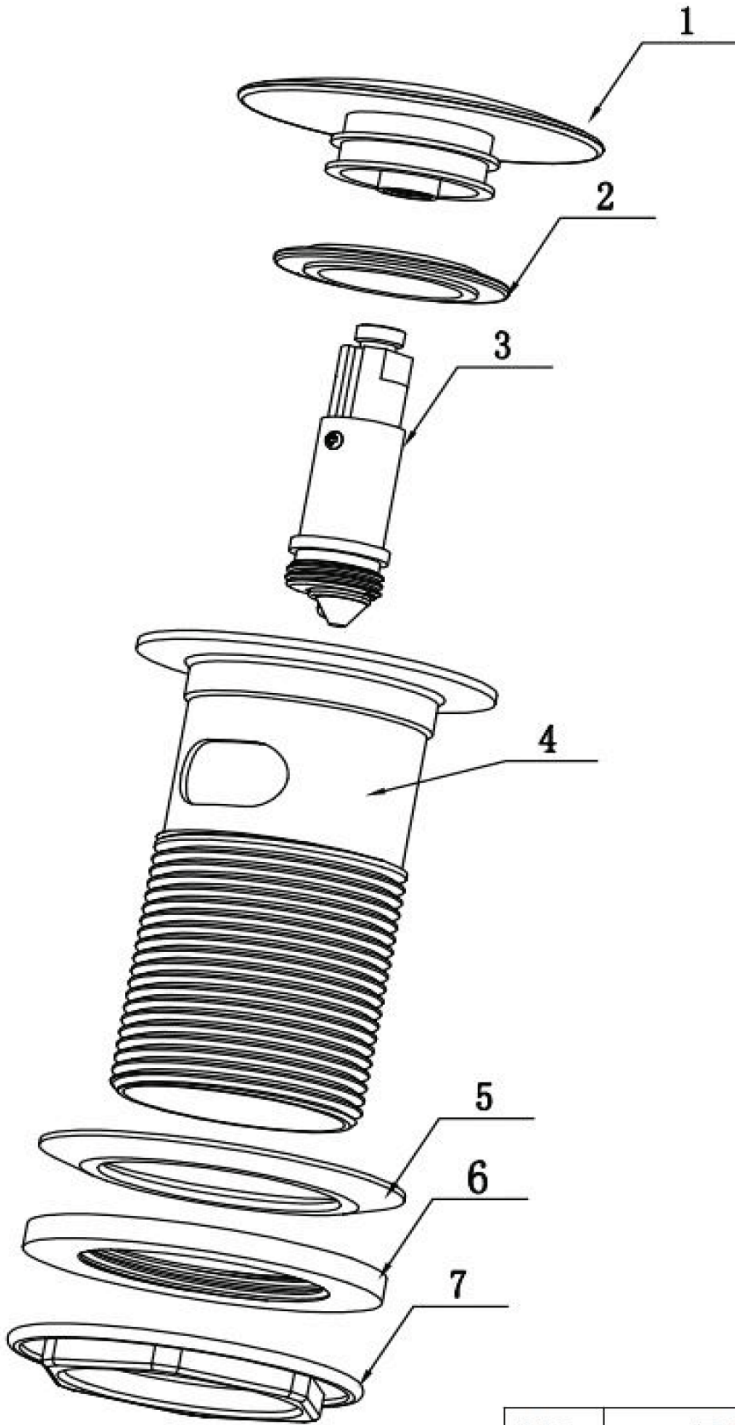
167.PBBUSGM Unslotted Push Button Waste



Product Code:	Gunmetal Grey	167.PBBUSGM	Fitting:	G1-1 ¹ / ₄ " BSP Male thread
Construction:	Stainless steel body		Packaging:	47.5 x 25.5 x 40.5cm / Carton (60 boxes) Dimension: 11.5 x 7.5 x 7.5cm / box; Weight: 0.235Kg / box
Water Pressure:	Min. 0.2 bar, Max. 5.0 bar		Guarantee:	1 year against manufacturing faults (excluding serviceable parts)
Plumbing Systems:	Suitable for all plumbing systems, preferably balanced; Max. supply pressure differential requirement no greater than 5:1			

167.PBBUSGM

THE TUNBRIDGE WELLS
Brassware Co.



NO.	PARTS DESCRIPTION	QTY
1	S/STEEL 304 COVER CAP	1
2	SILICONE COVER CAP WASHER	1
3	BRASS CLIC-CLAC SPRING	1
4	S/STEEL 202 WASTE BODY	1
5	UPPER SILICONE WASHER	1
6	LOWER SILICONE WASHER	1
7	S/STEEL 202 LOCK NUT	1