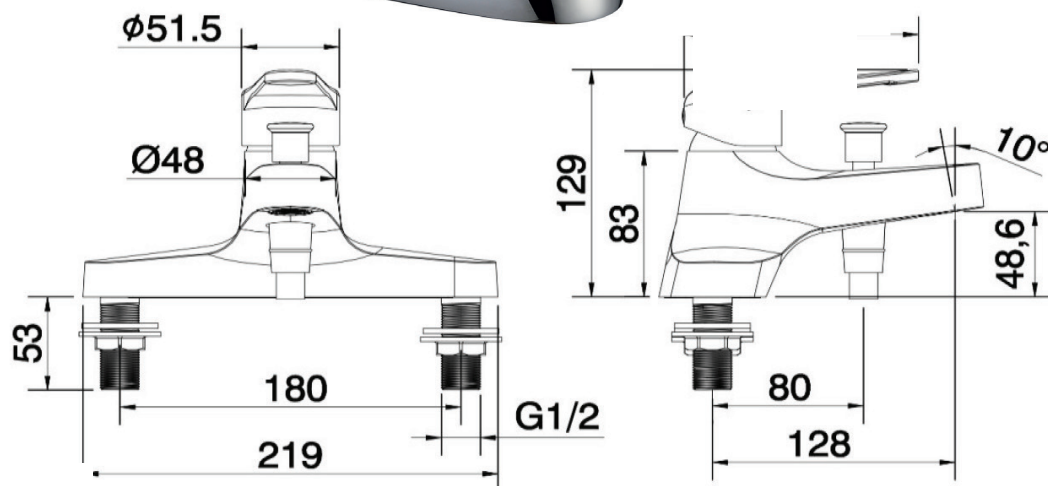
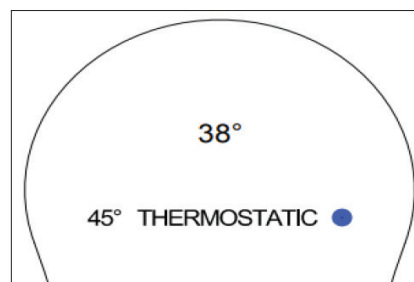


DATA SHEET

THE TUNBRIDGE WELLS
Brassware Co.

Lever Commercial Thermostatic Deck Mounted Bath Shower Mixer (Chrome)



Product Code: 167.LCTDMBSM

Construction: Brass Body (HPb59-1), equivalent to BS CZ122 / EN CW617N/ CuZn40Pb2; Zinc-alloy Handle

Finishes: Chrome plated to BS EN 248

Water Pressure: Min. 0.5 bar (Handset)
1.0 bar (Spout), Max. 6.0 bar

Plumbing Systems: Suitable for all plumbing systems, Hot and Cold water pressure preferably balanced. Max. supply pressure differential requirement no greater than 5:1

Standards: Complies with BS5412, BS EN200

Certification: WRAS approved and certified, manufactured to comply with TMV2

Cartridge: 40mm Thermostatic Ceramic cartridge

Aerator: M24*1 Neoperl plastic adjustable Slim Air spout aerator

Fitting: Brass G1/2" BSP tails Male thread inlets; Brass G1/2" BSP Male thread outlet

Packaging: 53 x 34 x 35cm/carton (4 boxes), Dimension: 33 x 26 x 16.5cm/box; Weight: 2.88Kg/box

Guarantee: 10 years against manufacturing faults (Excluding serviceable parts)

Additional Information: Max. temperature 45°C +/- 2°C

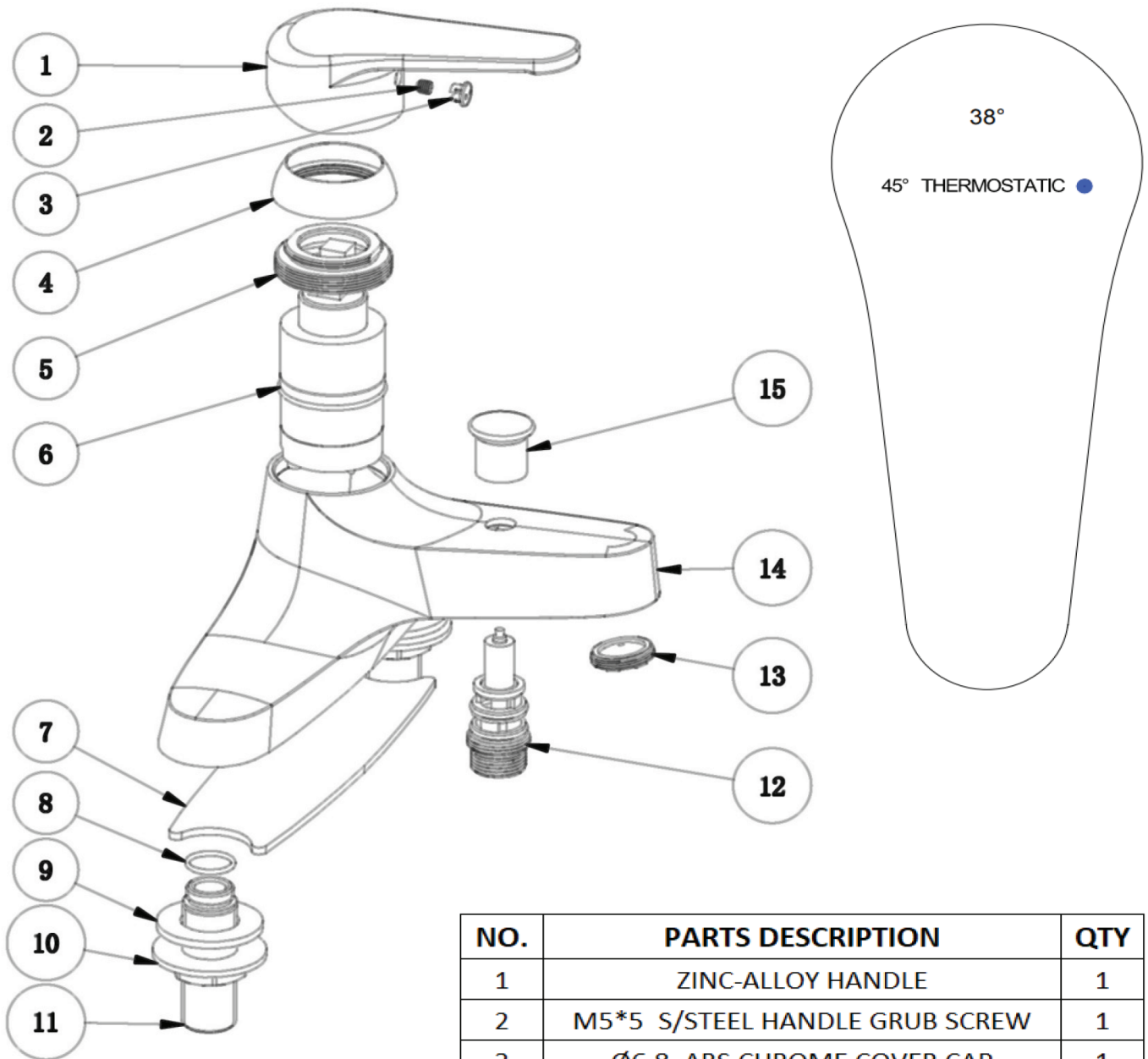
Flow Rates (litres per minute)

System Pressure	0.1 Bar	0.2 Bar	0.3 Bar	0.5 Bar	1.0 Bar	1.5 Bar	2.0 Bar	3.0 Bar	4.0 Bar	5.0 Bar
167.LCTDMBSM	-	4.0	-	7.5	11.1	12.8	15.3	18.9	-	-

All dimensions are in millimetres unless otherwise stated. The information contained on this page was correct at date of issue. Fitting dimensions are provided as a guide only. Some variation may occur due to manufacturing tolerances. We pursue a policy of continuing improvement in design and performance of our products and so reserve the right to change specifications without prior notice.

167.LCTDMBSM

THE TUNBRIDGE WELLS
Brassware Co.



NO.	PARTS DESCRIPTION	QTY
1	ZINC-ALLOY HANDLE	1
2	M5*5 S/STEEL HANDLE GRUB SCREW	1
3	Ø6.8 ABS CHROME COVER CAP	1
4	BRASS HANDLE COLLAR	1
5	BRASS CARTRIDGE NUT	1
6	40MM CERAMIC DISK CARTRIDGE	1
7	FOAM BASE PLATE WASHER	1
8	Ø18*2.2 EPDM BSP TAIL O-RING	2
9	Ø39*Ø22*3 EPDM BSP TAIL WASHER	2
10	G1/2 BRASS LOCK NUT	2
11	G1/2*60 BRASS BSP TAILS	2
12	BRASS DIVERTER OUTLET CONNECTOR	1
13	M24*1 PLASTIC AERATOR	1
14	BRASS TAP BODY	1
15	Ø25*22.5 DIVERTER CAP	1