

Eridge Deck Mounted Bath Filler (Excl. Waste)



Product Codes: Matt Black 167.ERDMBFBL
 Brushed Brass 167.ERDMBFBB
 Brushed Nickel 167.ERDMBFNKL

Construction: Brass Body (CuZn40Pb2),
 EN CW617N (equivalent to BS CZ122)
 Zinc-alloy handles

Plumbing Systems: Suitable for all plumbing systems, hot and cold water pressure pref. balanced
 Max. supply pressure differential requirement no greater than 5:1

Water Pressure: Min. 0.5 bar, Max. 6.0 bar

Standards: Complies with BS5412, BS EN200

Cartridge: ¼ turn 3/4" ceramic disc valves

Aerator: M24*1 Spout aerator

Fitting: Brass G¾" BSP tails

Packaging: 41.5 x 22.5 x 33.5cm / carton (4 boxes)
 Dimension: 24.5 x 20 x 16cm / box
 Weight: 2.13Kg / box

Guarantee: 5 years against manufacturer's faults
 (Excluding serviceable parts)



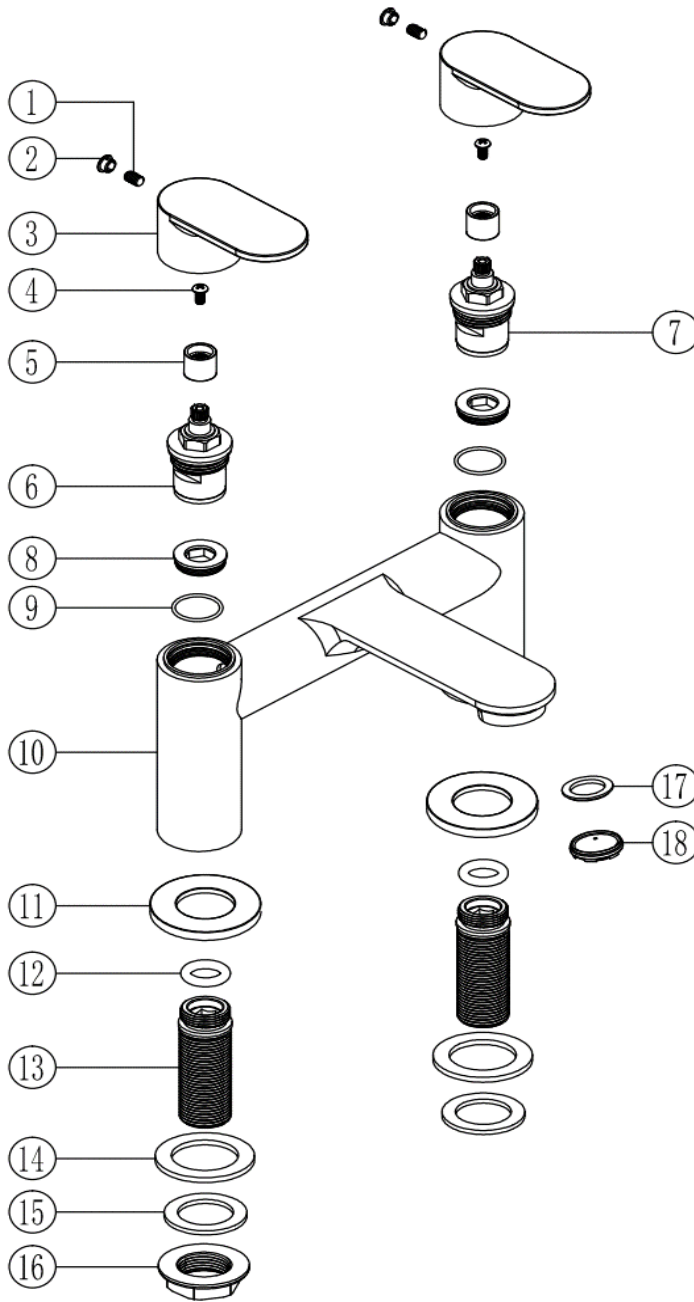
Flow Rates (litres per minute)

System Pressure	0.1 Bar	0.2 Bar	0.3 Bar	0.5 Bar	1.0 Bar	1.5 Bar	2.0 Bar	3.0 Bar	4.0 Bar	5.0 Bar
167.ERDMBF**	-	8.0	-	15.4	17.8	20.9	23.5	26.4	-	-

All dimensions are in millimetres unless otherwise stated. The information contained on this page was correct at date of issue. Fitting dimensions are provided as a guide only. Some variation may occur due to manufacturing tolerances. We pursue a policy of continuing improvement in design and performance of our products and so reserve the right to change specifications without prior notice.

167.ERDBMF**

THE TUNBRIDGE WELLS
Brassware Co.



NO.	ITEM	QTY
1	GRUB SCREW COVER	2
2	S/S GRUB SCREW	2
3	ZINC-ALLOY HANDLE	2
4	CROSS HEADED SCREW	2
5	NYLON CONNECTOR	2
6	3/4" HOT CARTRIDGE	1
7	3/4" COLD CARTRIDGE	1
8	BRASS CARTRIDGE SEAT	2
9	NBR O-RING	2
10	BRASS TAP BODY	1
11	ZINC-ALLOY BASE PLATE	2
12	NBR O-RING	2
13	3/4" BRASS BSP TAIL	2
14	NBR WASHER	4
15	NBR WASHER	2
16	ABS LOCK NUT	2
17	NBR AERATOR WASHER	1
18	M24*1 ABS AERATOR	1

