

DATA SHEET

THE TUNBRIDGE WELLS
Brassware Co.

Chartwell Deck Mounted Bath Shower Mixer Inc. Shower Kit (Excl. Waste)



Product Code: Chrome 167.CWDMBSM
Construction: Brass Body (CuZn40Pb2), EN CW617N (equivalent to BS CZ122) Zinc-alloy handles
Finishes: Chrome (Ni: 8-12 µm, CR: 0.25-0.3 µm)

Plumbing Systems: Suitable for all plumbing systems, preferably balanced Max. supply pressure differential requirement no greater than 5:1

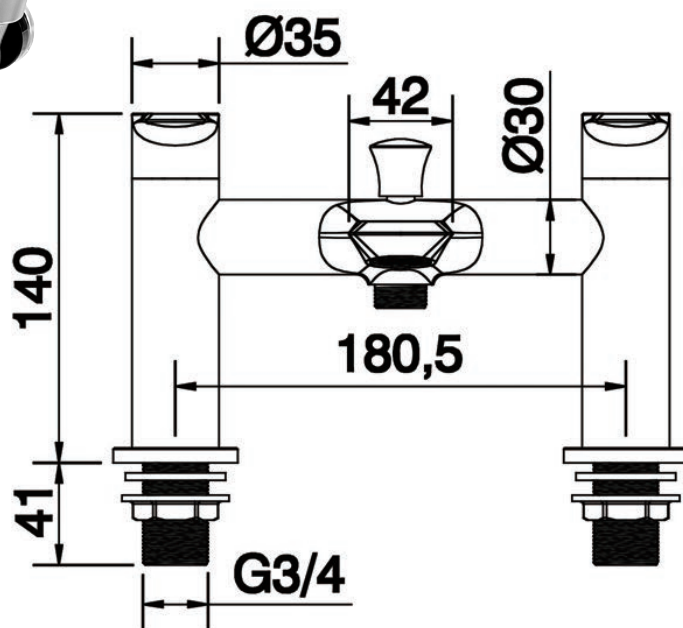
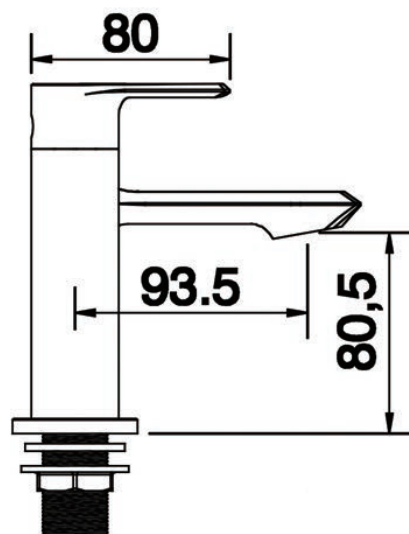
Water Pressure: Min. 0.5 bar (handset), 1.0 bar (spout) Max. 5.0 bar

Standards: Complies with BS5412, BS EN200

Cartridge: ¼ turn ¾" ceramic disc valves

Aerator: Neoperl Spout aerator

Fitting: Brass G¾" BSP tails



Packaging: 50 x 29.5 x 34.5cm / carton (4 boxes)
Dimension: 28 x 24 x 16.5cm / box
Weight: 3.95Kg / box

Guarantee: 10 years against manufacturing faults (Excluding serviceable parts)

Additional Information: Supplied with chrome ABS shower handset and holder and smooth PVC 1.5m hose

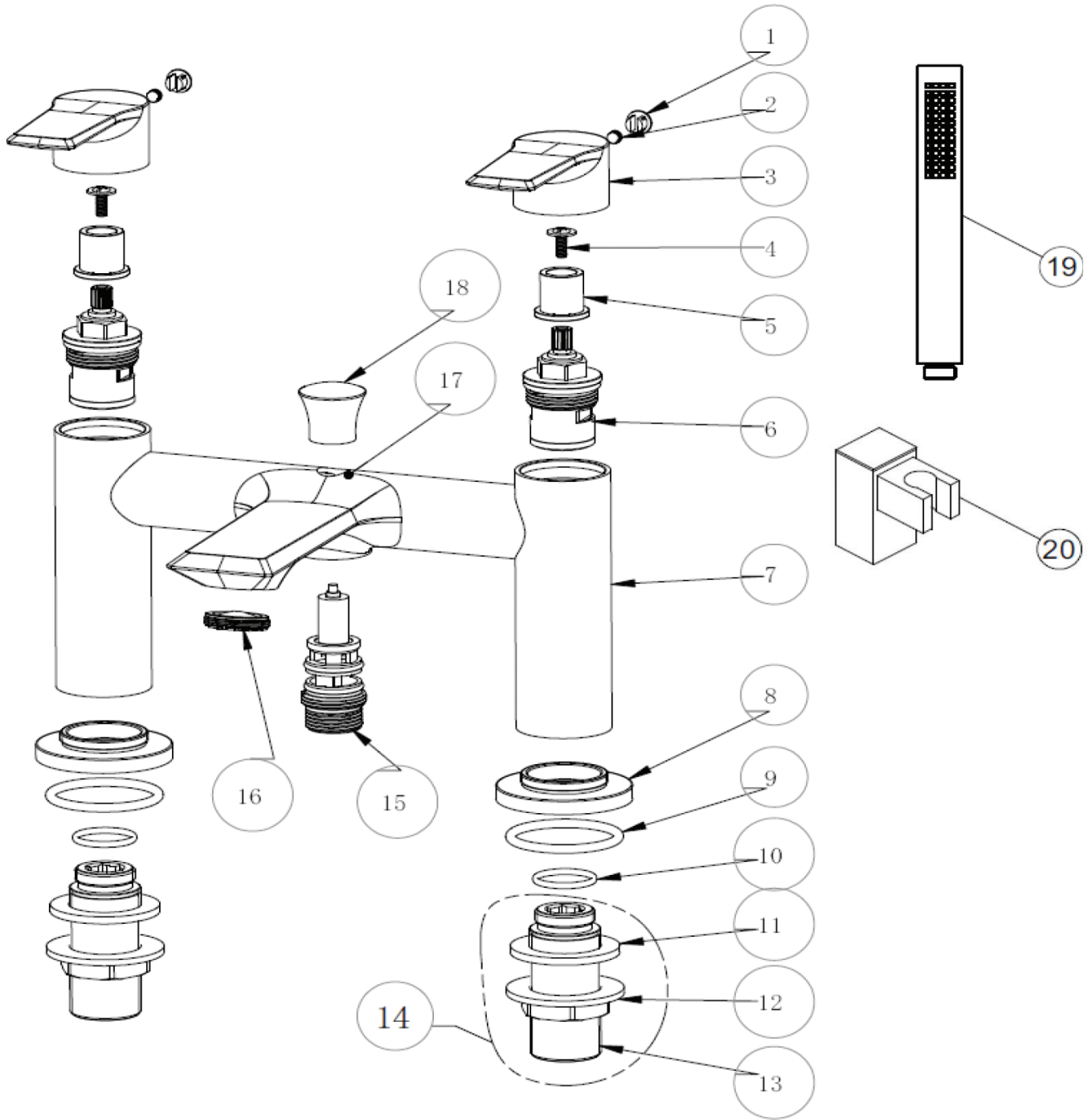
Flow Rates (litres per minute)

System Pressure	0.1 Bar	0.2 Bar	0.3 Bar	0.5 Bar	1.0 Bar	1.5 Bar	2.0 Bar	3.0 Bar	4.0 Bar	5.0 Bar
167.CWDMBSM	3.1	5.3	-	10.1	15.3	-	21.7	26.3	-	-

All dimensions are in millimetres unless otherwise stated. The information contained on this page was correct at date of issue. Fitting dimensions are provided as a guide only. Some variation may occur due to manufacturing tolerances. We pursue a policy of continuing improvement in design and performance of our products and so reserve the right to change specifications without prior notice.

167.CWDMBSM

THE TUNBRIDGE WELLS
Brassware Co.



10	O-RING	2
9	O-RING	2
8	BASE PLATE	2
7	BODY	2
6	CARTRIDGE	2
5	SHROUD	2
4	SCREW	2
3	HANDLE	2
2	GRUB	2
1	COVER CAP	2
No.	DESCRIPTION	QTY

20	HANDSET HOLDER	1
19	HANDSET	1
18	DIVERTER CAP	1
17	SPOUT	1
16	AERATOR	1
15	DIVERTER	1
14	INLET TAILS	2
13	INLET PILLAR	2
12	NUT	2
11	WASHER	2
No.	DESCRIPTION	QTY