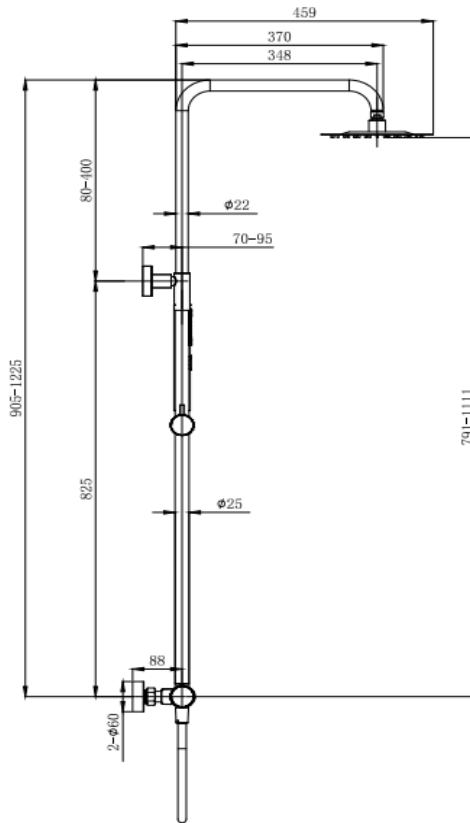
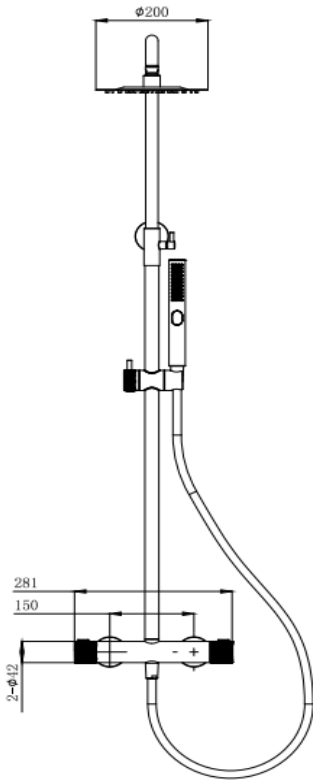


Calverley Round Thermostatic Shower Valve & Kit



Product Code: Chrome 167.CVRTS

Construction: Brass Body (CuZn40Pb2), EN CW617N (equivalent to BS CZ122); Zinc-alloy Handles

Finish: Chrome

Water pressure: Min. 0.5 bar, Max. 6.0 bar

Plumbing Systems: Suitable for all plumbing systems, Hot and Cold water pressure preferably balanced, max. supply pressure differential requirement no greater than 5:1

Standards: Complies with BS EN 1111

Fitting: G1/2" Easy fit

Packaging: 93 x 43.5 x 36cm / carton (4 boxes), Dimension: 91 x 42 x 8.5cm / box, Weight: 4.875kg/box

Guarantee: 10 years against manufacturing faults (excluding serviceable parts)

Additional Information:

1. Temperature: Pre-set 38°C, with push button override to 48°C
2. Automatic shut off in the event of hot or cold water supply failure
3. COOL TOUCH Bar Valve technology
4. Ultra Slim Shower head : Chrome, SS304, Ø200mm, easy clean rubber nozzles
5. Shower handset : Chrome, ABS, 3 modes, rubber nozzles
6. Handset holder : Chrome, ABS, adjustable height
7. Shower hose : Chrome, SS304 double interlock, 1.5m, Large Ø11mm bore
8. Riser rail : Chrome, SS201 Stainless steel, telescopic adjustable height 905-1225mm

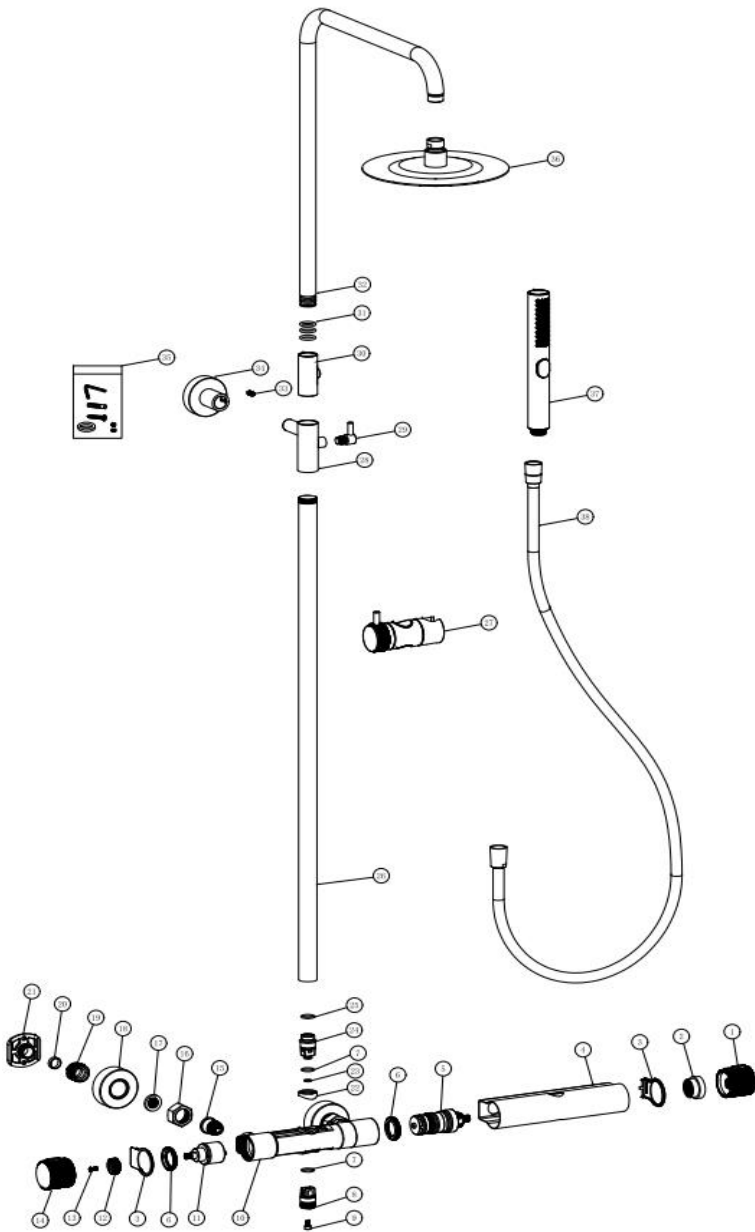
Flow Rates (Litres per minute)

System Pressure	0.1 Bar	0.2 Bar	0.3 Bar	0.5 Bar	1.0 Bar	1.5 Bar	2.0 Bar	3.0 Bar	4.0 Bar	5.0 Bar
Shower Head	-	-	3.2	6.3	10.1	-	14.2	19.2	22.4	25.1
Handset	0.4	-	1.8	2.7	5.8	-	8.8	11.2	13.1	14.9

The information contained on this page was correct at date of issue. Fitting dimensions are provided as a guide only. Some variation may occur due to manufacturing tolerances. We pursue a policy of continuing improvement in design and performance of our products and so reserve the right to change specifications without prior notice.

167.CVRTS

THE TUNBRIDGE WELLS
Brassware Co.



NO	Description	QTY
1	Themo- Handle	1
2	Themo- Stop ring	1
3	O-ring	2
4	Body Case	1
5	Themo- Cartridge	1
6	Lock Nut	2
7	O-ring	2
8	G1/2 Connector	1
9	Screw	1
10	Body	1
11	Diverter	1
12	Lock Nut	1
13	Screw	1
14	Diverter Handle	1
15	Check Valve	2
16	G3/4 Nut	2
17	G3/4 Washer	2
18	Wall Bracket Case	2
19	Easy fit nut	2
20	Easy fit Ring	2
21	G1/2 Easy fit Wall Bracket	2
22	Collar	1
23	O-ring	1
24	Upper outlet connector	1
25	O-ring	1
26	Rail	1
27	Handset holder	1
28	Rail connector body	1
29	Rail connector handle	1
30	Rail connector	1
31	O-ring	3
32	Upper Rail	1
33	Screw	2
34	Wall Bracket	1
35	Fitting kit	1
36	Shower Head	1
37	Handset	1
38	Hose	1