

DATA SHEET

THE TUNBRIDGE WELLS
Brassware Co.

Bewl Deck Mounted Bath Shower Mixer Inc. Shower Kit (Excl. Waste)

Product Code: Chrome 167.BWDMBSM
Matt Black 167.BWDMBSMBL
Brushed Brass 167.BWDMBSMBB

Construction: Brass Body (CuZn40Pb2),
EN CW617N (equivalent to BS CZ122)
Zinc-alloy handles; Brass base
plates

Water Pressure: Min. 1.5 bar, Max. 6.0 bar

**Plumbing
Systems:**

Suitable for all plumbing systems,
hot and cold water pressure
preferably balanced Max.
supply pressure differential
requirement no greater than 5:1

Standards: Complies with BS5412, BS EN200

Cartridge: ¼ turn ¾" ceramic disc valves

Aerator: M22 spout aerator

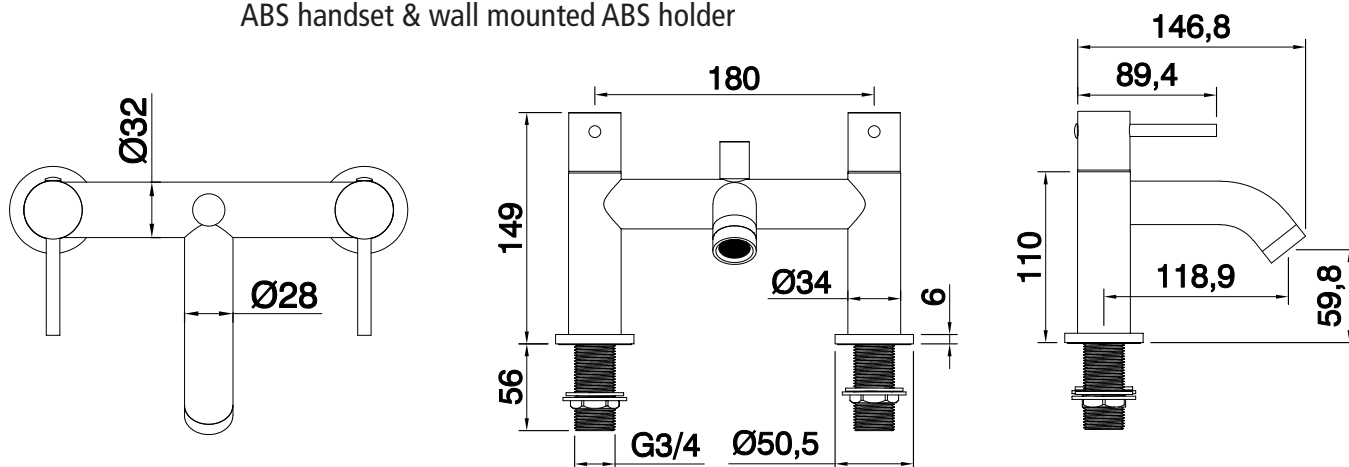
Fitting: Brass G¾" BSP tails

Packaging: 50 x 29.5 x 38cm / carton (4 boxes)
Dimension: 28 x 24 x 18cm / box
Weight: 2.63Kg / box

Guarantee: Excluding serviceable parts

**Additional
Information:**

Supplied with 1.5m smooth PVC
hose, outlet hose elbow, single mode
ABS handset & wall mounted ABS holder



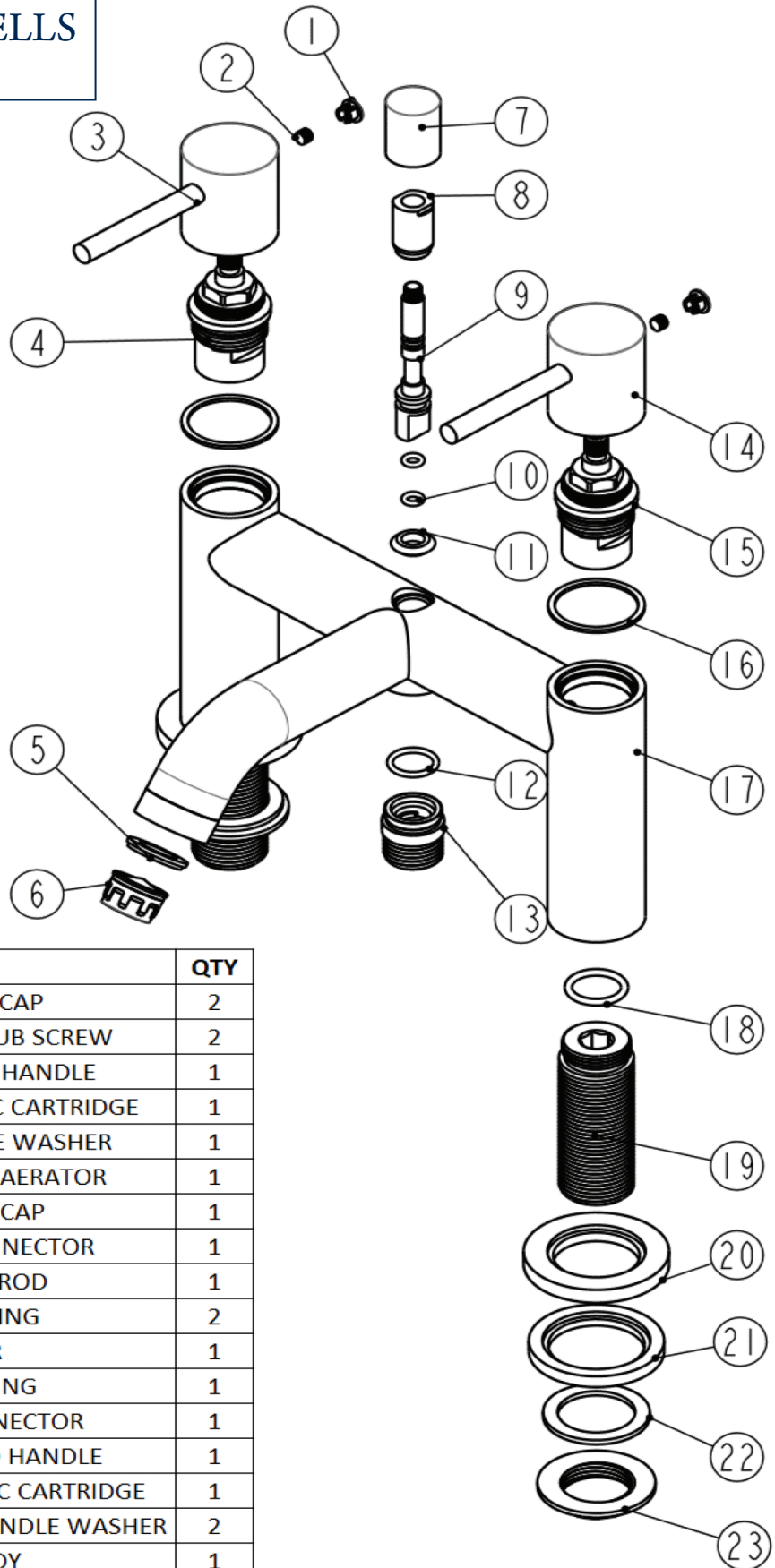
Flow Rates (litres per minute)

System Pressure	0.1 Bar	0.2 Bar	0.3 Bar	0.5 Bar	1.0 Bar	1.5 Bar	2.0 Bar	3.0 Bar	4.0 Bar	5.0 Bar
167.BWDMBSM/BL/BB	-	-	-	6.4	9.5	12.0	13.9	17.2	-	-

All dimensions are in millimetres unless otherwise stated. The information contained on this page was correct at date of issue. Fitting dimensions are provided as a guide only. Some variation may occur due to manufacturing tolerances. We pursue a policy of continuing improvement in design and performance of our products and so reserve the right to change specifications without prior notice.

THE TUNBRIDGE WELLS
Brassware Co.

167.BWDMBSM/BL/BB



NO.	ITEM	QTY
1	ø6.8 ABS COVER CAP	2
2	M5x5 S/S POINTED GRUB SCREW	2
3	ø34 ZINC-ALLOY HOT HANDLE	1
4	G3/4" HOT CERAMIC DISC CARTRIDGE	1
5	ø22.8*ø15*3 SILICONE WASHER	1
6	ø21*12 M22 PLASTIC AERATOR	1
7	BRASS DIVERTER CAP	1
8	BRASS DIVERTER CONNECTOR	1
9	BRASS DIVERTER ROD	1
10	ø8*1.9 NBR O-RING	2
11	NBR WASHER	1
12	ø18*2 NBR O-RING	1
13	BRASS OUTLET CONNECTOR	1
14	ø34 ZINC-ALLOY COLD HANDLE	1
15	G3/4" COLD CERAMIC DISC CARTRIDGE	1
16	ø33.5*ø29*1.2 PLASTIC HANDLE WASHER	2
17	BRASS TAP BODY	1
18	ø22*2.5 NBR O-RING	2
19	G3/4*68L BRASS BSP TAIL	2
20	ø50.5*6 BRASS BASE PLATE	2
21	ø47*5 RUBBER WASHER	2
22	ø37*ø27*2 RUBBER WASHER	2
23	G3/4*7L BRASS LOCK NUT	2