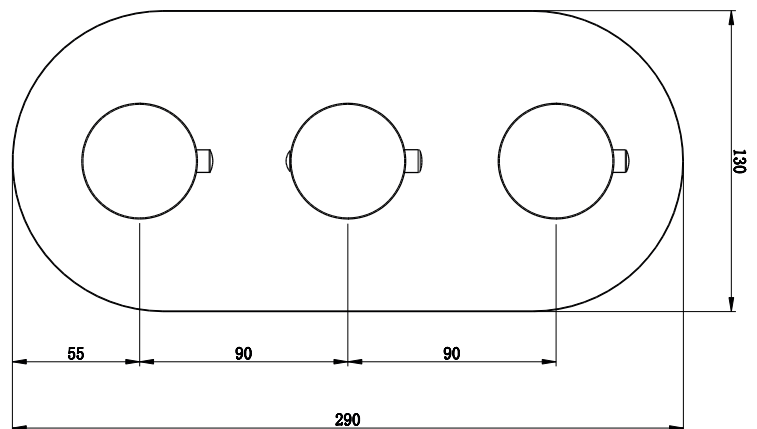
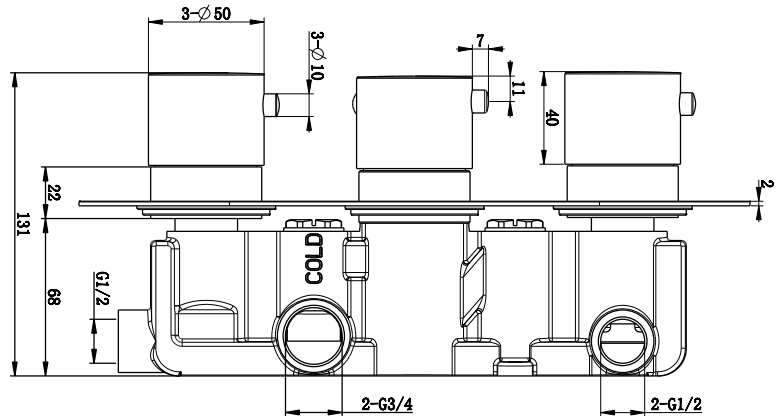


167.BW33TSVBL Bawl Round Thermostatic Shower Valve

Triple Outlet, Three Controls,
Concealed Thermostatic Mixer Valve



Product Code:	Matt Black 167.BW33TSVBL
Construction:	Brass Body (CC757S) equivalent to EN CuZn39Pb2Al-C; SS201 Stainless steel face plate; Zinc-alloy handles
Finishes:	Black: Matt Black
Water Pressure:	Min. 0.5 bar Max 5.0 bar
Plumbing Systems:	Suitable for all plumbing systems, hot and cold water pressure preferably balanced Max. supply pressure differential requirement no greater than 5:1
Standards:	Complies with BSEN 1111 - WRAS approved
Cartridge:	Thermostatic cartridge & ceramic disc valves

Diverter:	Integrated ceramic disc valve 2-way diverter
Fitting:	Inlet: Two Brass G3/4" BSP Female thread (Hot and Cold) Outlet: One Brass G1/2" BSP Female thread and two G3/4" BSP Female thread
Check Valve:	DN20 check valve
Packaging:	44 x 35 x 33cm / carton (4 boxes) Dimension: 33.5 x 21 x 15.5cm / box Weight: 3.50Kg / box
Guarantee:	10 years against manufacturing faults (excluding serviceable parts)
Additional Information:	1. Temperature: Pre-set 38°C, with push button override to 48°C 2. Automatic shut off in the event of hot or cold water supply failure 3. Easy accessible check valve 4. Horizontal or vertical installation possible

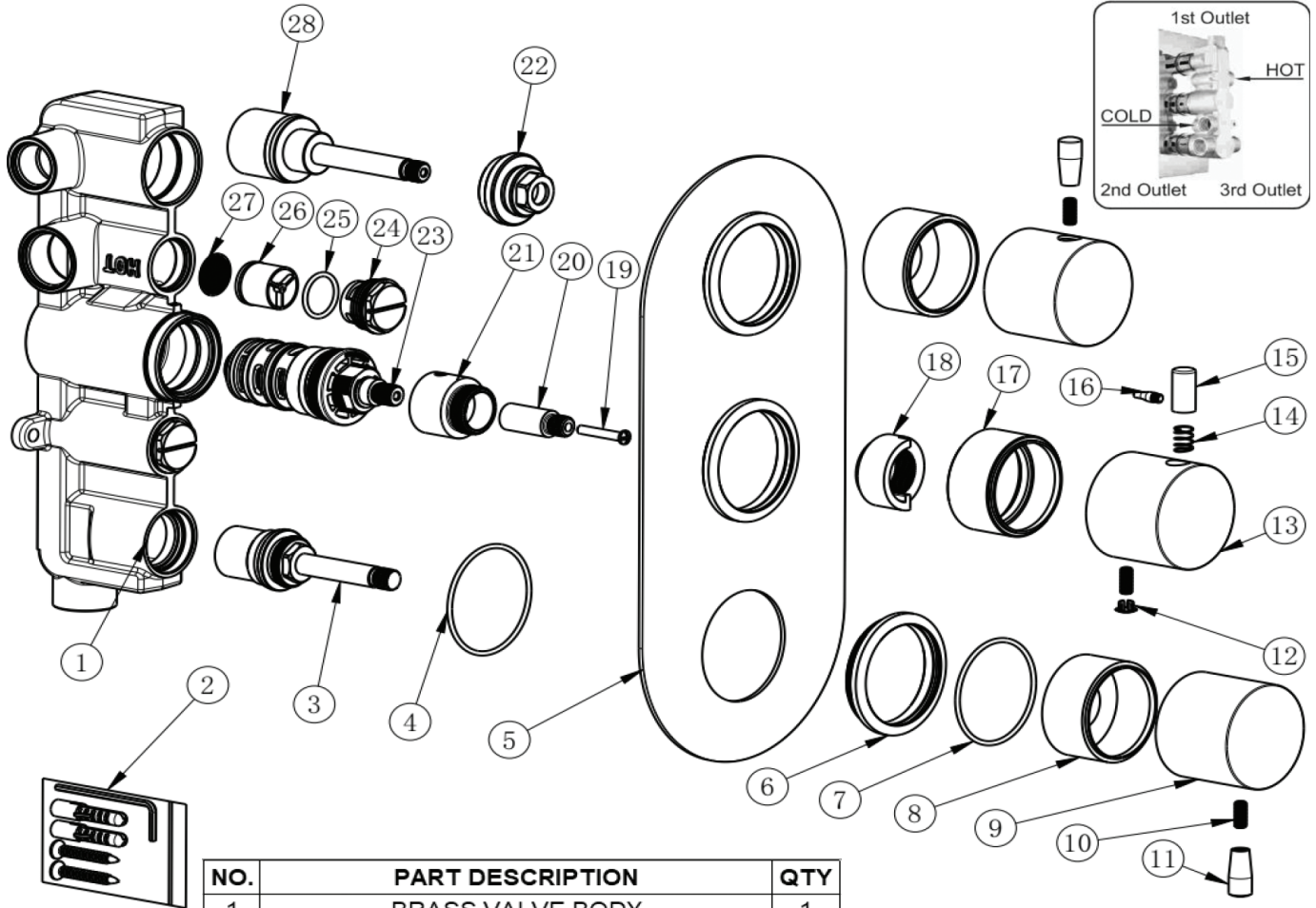
Flow Rates (litres per minute)

System Pressure	0.1 Bar	0.2 Bar	0.3 Bar	0.5 Bar	1.0 Bar	1.5 Bar	2.0 Bar	3.0 Bar	4.0 Bar	5.0 Bar
167.BW33TSVBL (handset)	5.2	6.6	7.8	9.9	13.8	16.6	19.1	23.8	27.1	31.1
167.BW33TSVBL (shower head)	5.3	6.8	8.0	10.0	14.0	17.1	19.8	24.4	28.1	31.6
167.BW33TSVBL (spout)	8.8	7.3	8.7	11.0	15.4	18.9	21.8	26.7	30.8	34.5

All dimensions are in millimetres unless otherwise stated. The information contained on this page was correct at date of issue. Fitting dimensions are provided as a guide only. Some variation may occur due to manufacturing tolerances. We pursue a policy of continuing improvement in design and performance of our products and so reserve the right to change specifications without prior notice.

167.BW33TSVBL

THE TUNBRIDGE WELLS
Brassware Co.



NO.	PART DESCRIPTION	QTY
1	BRASS VALVE BODY	1
2	ST5*35 FIXING KIT BAG	1
3	Ø29*G3/4 CERAMIC DISC VALVE (RED)	1
4	Ø48*2 NBR O-RING	3
5	290*130*2 SS201 OVAL FACE PLATE	1
6	Ø60*9.2 ZINC-ALLOY FACE PLATE RING	3
7	Ø40.6*2.2 NBR O-RING	3
8	ON/OFF HANDLE COLLAR	2
9	Ø50*40 ZINC-ALLOY ON/OFF HANDLE	2
10	HANDLE GRUB SCREW	3
11	Ø9.8*22.5 BRASS ON/OFF HANDLE LEVER	2
12	Ø7.7*6 ABS COVER CAP	1
13	Ø50*40 ZINC-ALLOY THERMO HANDLE	1
14	Ø8*0.5*11 SS304 PUSH BUTTON SPRING	1
15	Ø9.8*20.5 BRASS SAFETY PUSH BUTTON	1
16	Ø4.5*14 SS304 PUSH BUTTON PIN	1
17	THERMO HANDLE COLLAR	1
18	Ø34*18 POM THERMO STOP RING	1
19	M4*25 SS304 CROSS HEAD SCREW	1
20	Ø12.6*33 BRASS CONNECTOR	1
21	Ø29*26.7 BRASS CARTRIDGE COVER	1
22	34*10.5*22 BRASS DIVERTER NUT	1
23	PPA THERMOSTATIC CARTRIDGE	1
24	CHECK VALVE NUT	2
25	Ø18*2 NBR O-RING	2
26	DN20 CHECK VALVE	2
27	STAINLESS STEEL FILTER WASHER	2
28	CERAMIC DISC VALVE 2-WAY DIVERTER	1

Installation

Prepare pipes in wall to connect to shower, with cold on the right.

Ensure these pipes are flushed before connecting the mixer.

A G1/2" & two G3/4" male fittings will be required (not supplied) to connect the outlet pipes to the mixer.

Two 3/4" male fittings will be required (not supplied) to connect the supply pipes to the mixer.

