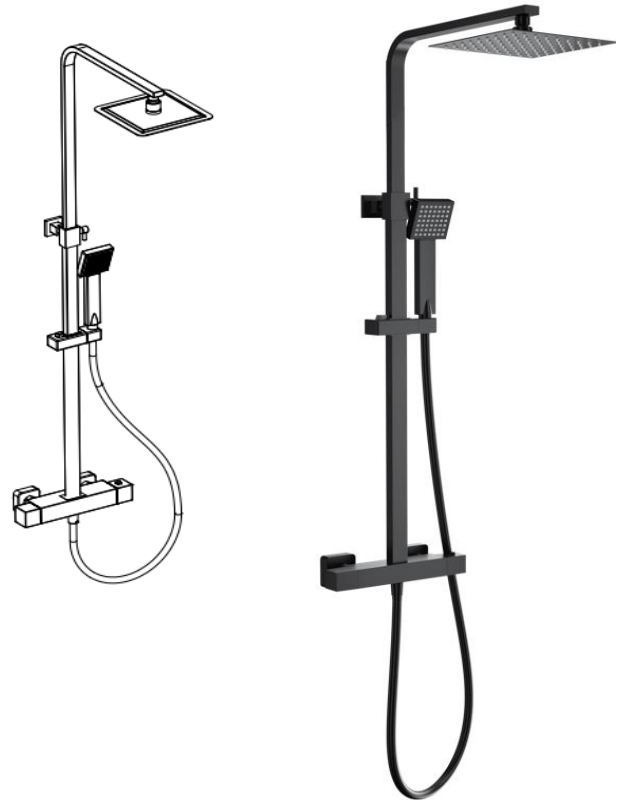
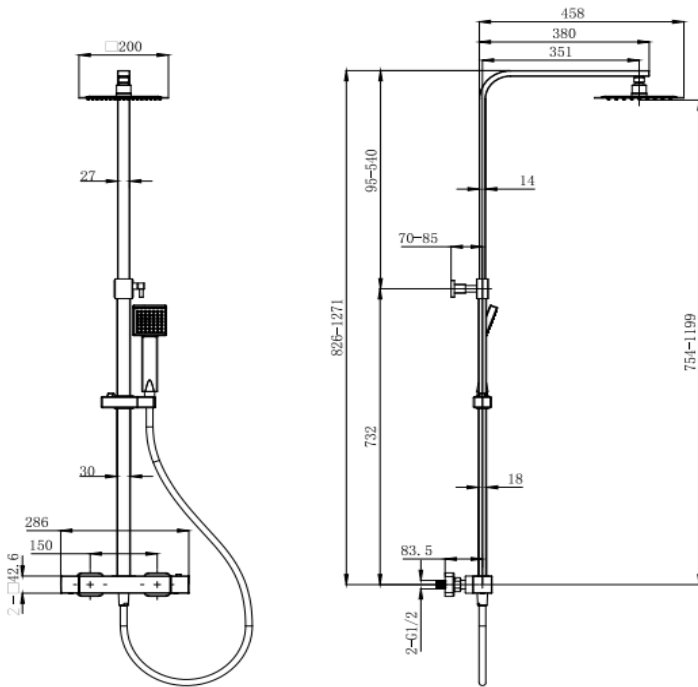


Bedgebury Square Thermostatic Shower Valve & Kit



Product Code: 167.BBSTSBL

Construction: Valve: High Performance Polyamide (PPA)
Body & SS201 Stainless steel Casing; SS201
Stainless steel Riser rail & Base plates; ABS
handles

Finish: Matt Black

Water Pressure: Min. 0.5 bar, Max. 6.0 bar

Plumbing Systems: Suitable for all plumbing systems, Hot and
Cold water pressure preferably balanced,
max. supply pressure differential require
ment no greater than 5:1

Standards: Complies with BS EN 1111

Cartridge: Thermostatic cartridge & Integrated
Ceramic disc valve diverter

Fitting: S-Union connectors (Male thread offset 1/2
inch x 3/4" BSP with Escutcheon); Brass
G1/2" BSP Male bottom outlet & G3/4" BSP
Male upper outlet connection

Packaging: 93 x 43.5 x 36cm / carton (4 boxes),
Dimension: 91 x 42 x 8.5cm / box

Guarantee: 10 years against manufacturing faults
(excluding serviceable parts)

Additional Information:

1. Temperature: Pre-set 38°C, with push button override to 48°C
2. Automatic shut off in the event of hot or cold water supply failure
3. COOL TOUCH Bar Valve technology
4. Ultra Slim Shower head : Ø200mm, easy clean rubber nozzles
5. Shower handset : ABS, 3 modes, rubber nozzles
6. Handset holder : ABS, adjustable height
7. Shower hose : PVC 1.5m
8. Riser rail : Matt black, Stainless steel, telescopic adjustable height

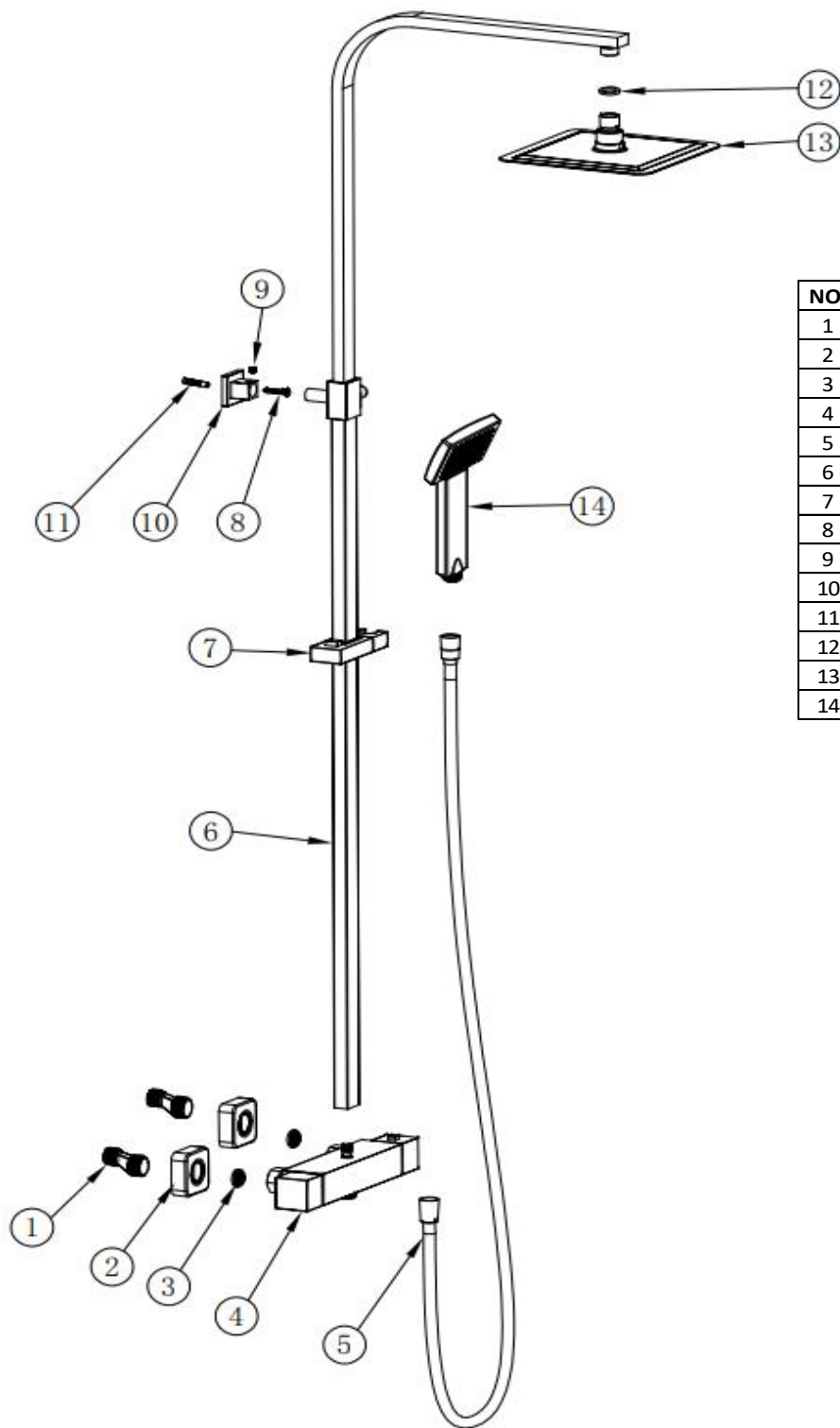
Flow Rates (litres per minute)

System Pressure	0.1 Bar	0.2 Bar	0.3 Bar	0.5 Bar	1.0 Bar	1.5 Bar	2.0 Bar	3.0 Bar	4.0 Bar	5.0 Bar
167.BBSTSBL	4.5	6.6	8.0	10.5	15.0	-	-	-	-	-

The information contained on this page was correct at date of issue. Fitting dimensions are provided as a guide only. Some variation may occur due to manufacturing tolerances. We pursue a policy of continuing improvement in design and performance of our products and so reserve the right to change specifications without prior notice.

167.BBSTSBL

THE TUNBRIDGE WELLS
Brassware Co.



NO.	NAME	QTY.
1	S-UNION	2
2	BASE PLATE	2
3	LOCK NUT	2
4	BODY	1
5	HOSE	1
6	RAIL	1
7	HANDSET HOLDER	1
8	SCREW	1
9	SCREW	1
10	WALL BUCKET	1
11	SCREW	1
12	O-RING	1
13	SHOWER HEAD	1
14	HANDSET	1