

## Bedgebury Deck Mounted Bath Filler (Excl. Waste)



**Product Code:** Chrome 167.BBDMBF  
Matt Black 167.BBDMBFBL  
Brushed Brass 167.BBDMBFBB

**Construction:** Brass Body (CuZn40Pb2),  
EN CW617N (equivalent to BS CZ122)  
Zinc-alloy handles; Brass base  
plates

**Plumbing Systems:** Suitable for all plumbing systems,  
Hot and Cold water pressure  
preferably balanced Max.  
supply pressure differential  
requirement no greater than 5:1

**Water Pressure:** Min. 0.5 bar, Max. 6.0 bar

**Standards:** Complies with BS5412, BS EN200

**Certification:** WRAS (1709044) approved

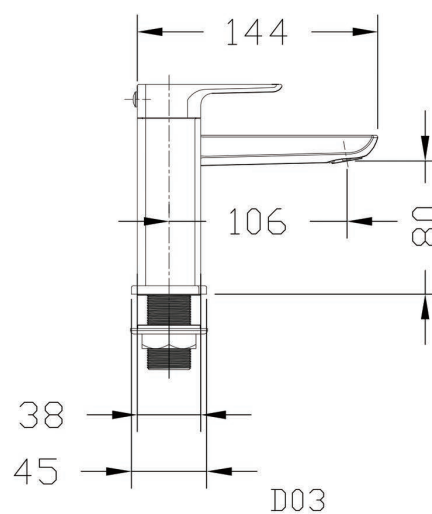
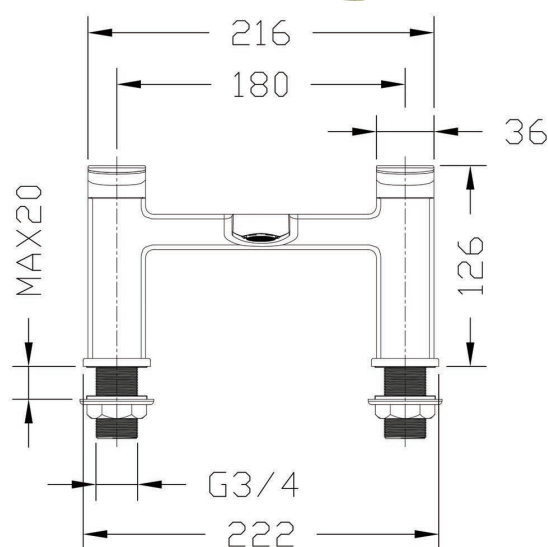
**Cartridge:** ¼ turn ¾" ceramic disc valves

**Aerator:** Laminar stream straightener

**Fitting:** Brass G¾" BSP tails

**Packaging:** 50 x 29.5 x 38cm / carton (4 boxes)  
Dimension: 28 x 24 x 18cm / box  
Weight: 2.75Kg / box

**Guarantee:** 10 years against manufacturers  
faults (Excluding serviceable parts)



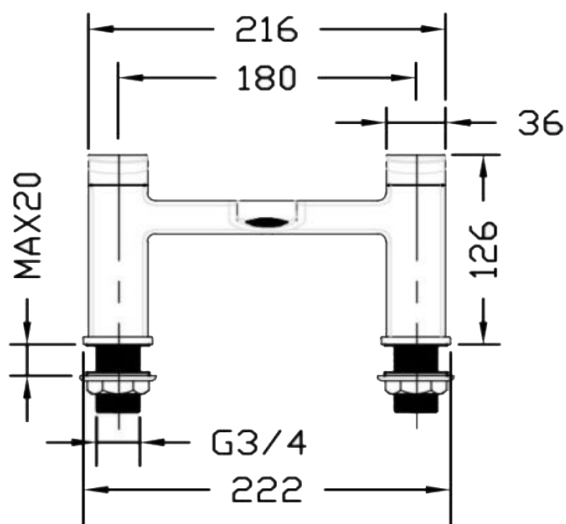
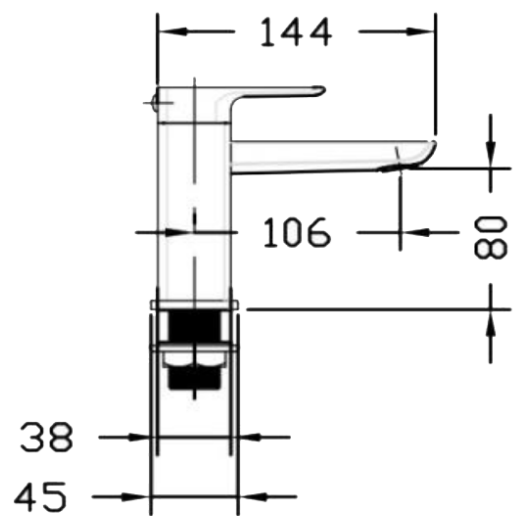
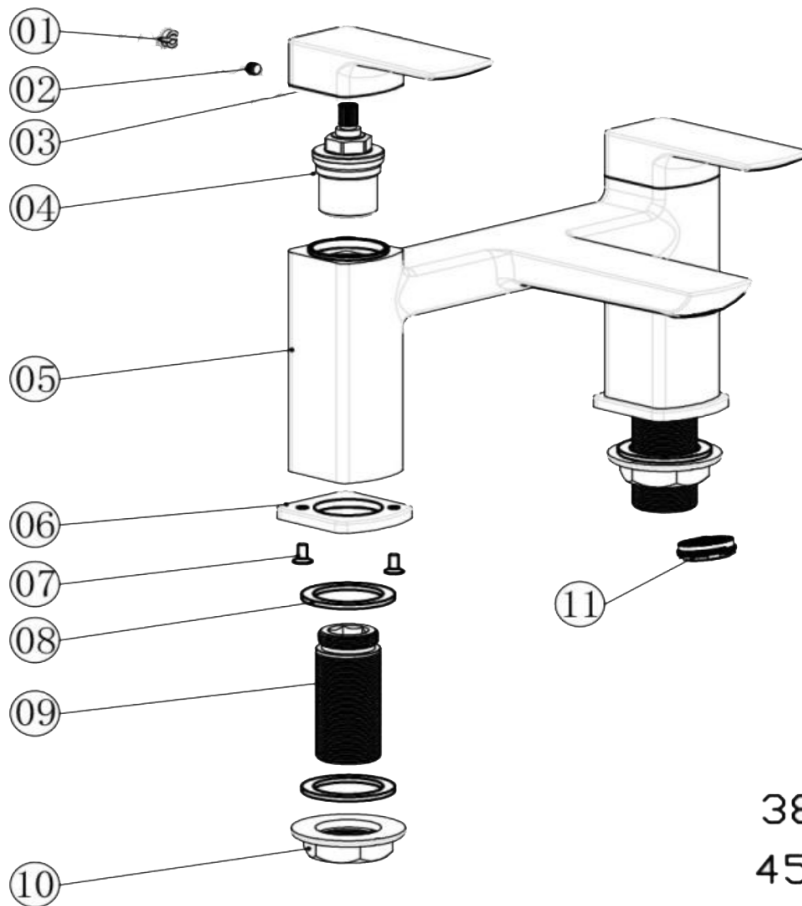
### Flow Rates (litres per minute)

System Pressure	0.1 Bar	0.2 Bar	0.3 Bar	0.5 Bar	1.0 Bar	1.5 Bar	2.0 Bar	3.0 Bar	4.0 Bar	5.0 Bar
167.BBDMBF/BL/BB	-	8.0	9.7	12.7	17.9	-	25.6	31.5	-	-

All dimensions are in millimetres unless otherwise stated. The information contained on this page was correct at date of issue. Fitting dimensions are provided as a guide only. Some variation may occur due to manufacturing tolerances. We pursue a policy of continuing improvement in design and performance of our products and so reserve the right to change specifications without prior notice.

# 167.BBDBMF/BL/BB

THE TUNBRIDGE WELLS  
Brassware Co.



11	D03-11	AERATOR	1
10	D03-10	G <sup>3</sup> / <sub>4</sub> NUT	1
9	D03-09	G <sup>3</sup> / <sub>4</sub> TAILS	1
8	D03-08	O RING	4
7	D03-07	SCREW	4
6	D03-06	BASE PLATE	1
5	D03-05	BODY	1
4	D03-04	G <sup>3</sup> / <sub>4</sub> CARTRIDGE	2
3	D03-03	HANDLE	2
2	D03-02	SCREW	2
1	D03-01	INDICE	2
NO	CODE	NAME	QTY