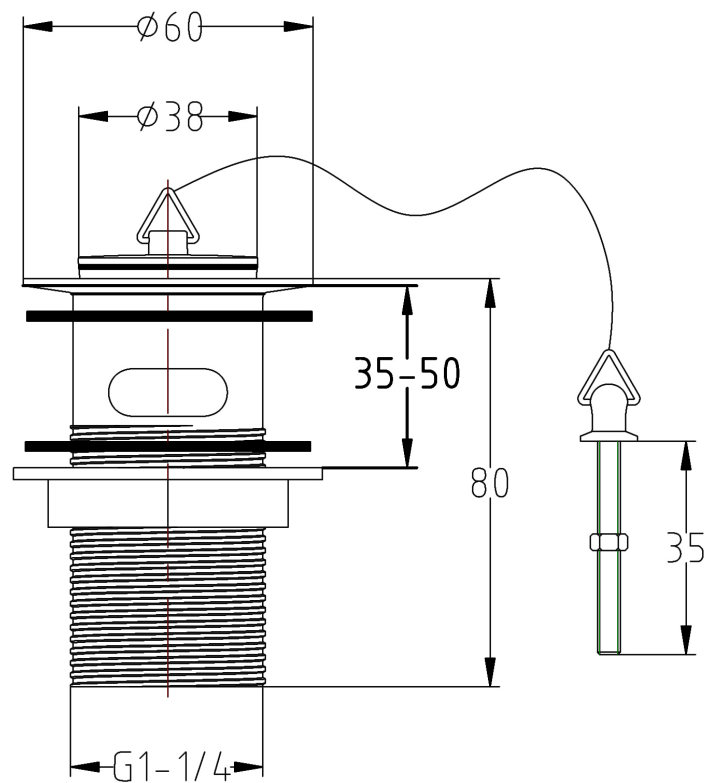


167.BARWPC Basin Retainer Waste with plug and chain (slotted)

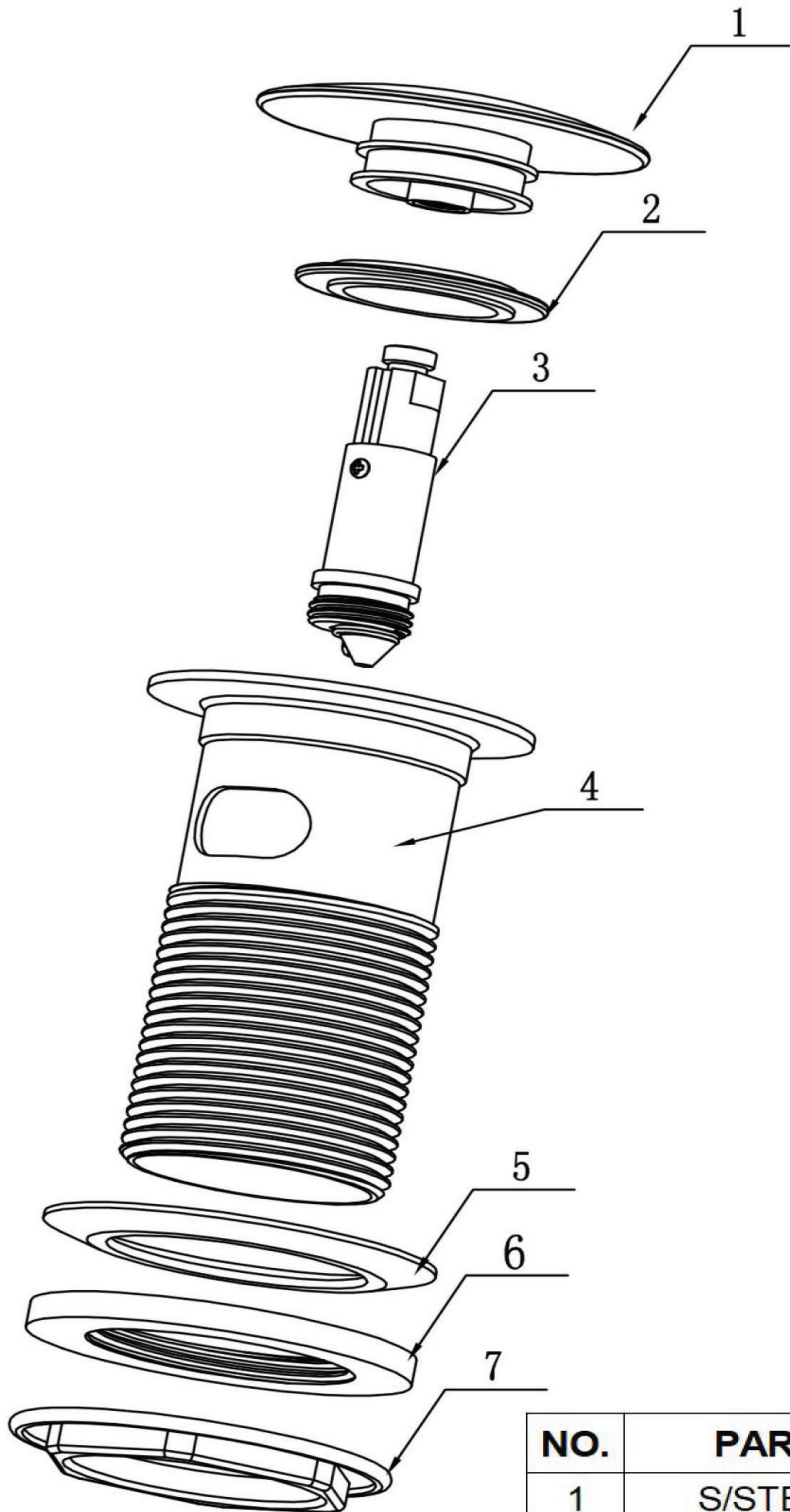


Product Code: 167.BARWPC
Construction: Brass & Zinc Alloy
Finishes: Chrome plated to BS EN 248
Product Type: Contemporary
Water Pressure: Min. 0.2 bar, Max. 5.0 bar
Plumbing Systems: Suitable for all plumbing systems

Fitting: G1-1¹/₄" BSP
Packaging: 35 x 35 x 23cm / Carton (50 boxes)
Dimension: 10.5 x 6.5 x 6.5cm / box
Weight: 0.23Kg / box
Guarantee: 1 year against manufacturing faults
(excluding serviceable parts)

167.PBBS**

THE TUNBRIDGE WELLS
Brassware Co.



NO.	PARTS DESCRIPTION	QTY
1	S/STEEL 304 COVER CAP	1
2	SILICONE COVER CAP WASHER	1
3	BRASS CLIC-CLAC SPRING	1
4	S/STEEL 202 WASTE BODY	1
5	UPPER SILICONE WASHER	1
6	LOWER SILICONE WASHER	1
7	S/STEEL 202 LOCK NUT	1