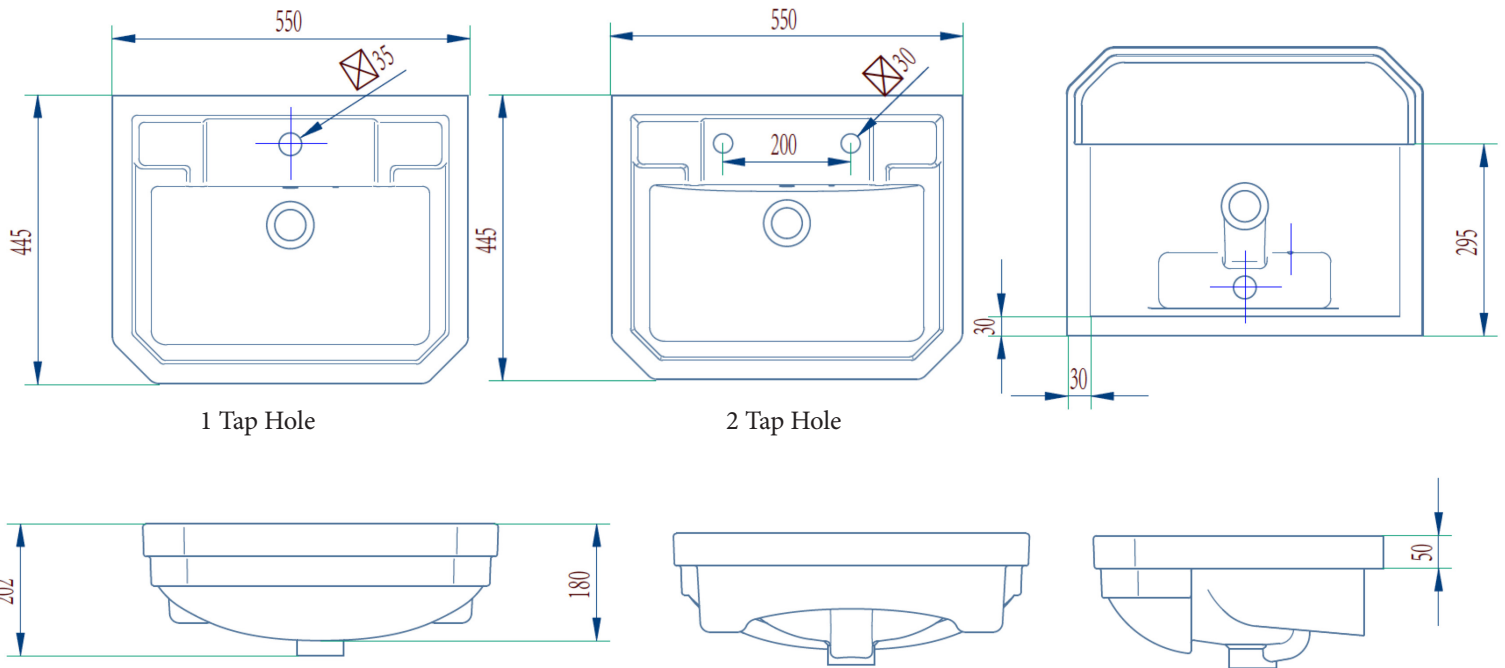


## Amesbury Semi recessed Basin - 1 or 2TH



### Amesbury Semi-Recessed Basin Tap hole options.

**1 Tap Hole** – 134.SRB1

**2 Tap Hole** – 134.SRB2

**Material:** Vitreous china

**Weight:** 18kg  
Complete with template

