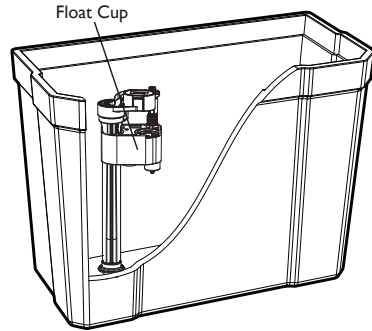


TRADITIONAL LOW LEVEL WC INSTRUCTIONS

Installation & care instructions

This product must be installed by a qualified fitter or plumber in accordance with and meet the requirements of the Water Supply (Water Fittings) Regulations 1999 and Scottish Byelaws 2004

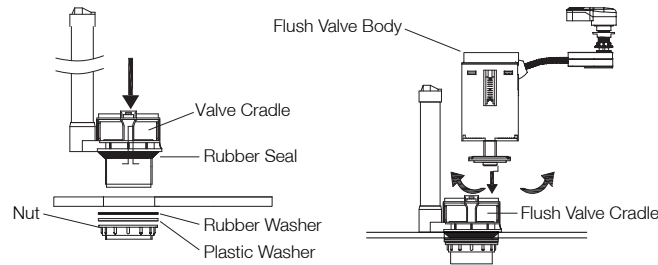
FILL VALVE INSTALLATION



The fill valve is supplied at a height suitable for the cistern tank. Please ensure that all connections are fully tightened before progressing.

Before assembling cistern to pan, wrap the inlet connector with PTFE tape. Ensure that the float cup has room to move freely.

FLUSH VALVE - PRE ASSEMBLED IN CISTERN



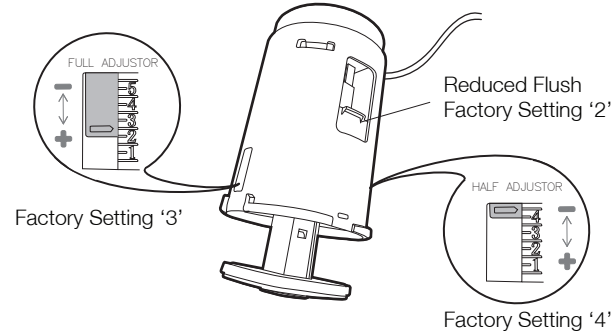
Ensure that the Flush Valve is assembled and fully tightened as shown.

The Flush Valve Body can be easily removed if necessary. Rotate clockwise to remove. To replace align slot of body with slot in valve cradle and rotate anti-clockwise until you hear a click.

The valve is set correctly at the factory. However there are levers on the left side for full flush and on the right hand side for reduced flush operation which can be adjusted if necessary.

FLUSH VALVE ADJUSTMENT

The flush valve is factory set but if adjustment is required see diagram below.

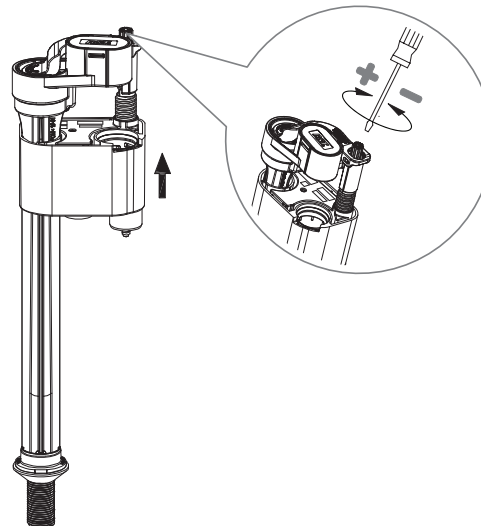


FILL VALVE ADJUSTMENT

The fill valve is factory set but if adjustment is required follow the instructions below.

Fine Adjustment

Turn screw for fine adjustment of float height. Anticlockwise to lower float. Clockwise to heighten float.

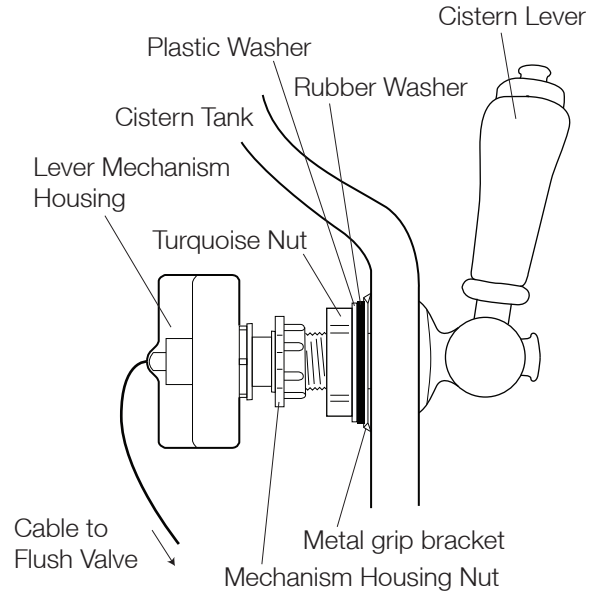


HANDLE ASSEMBLY

Assemble the cistern handle through the round hole on the corner of the cistern tank as shown.

Once the handle is secured, fasten the lever mechanism housing on the end of the flush valve cable to the handle's shaft. Ensure that the splines on the shaft align with the slots in the mechanism housing.

Once located, with the metal grip bracket in place, secure the lever shaft to the housing with the housing nut. Check that the lever can move both up and down. If not undo and re-assemble, checking that the valve operates in both directions.



Rotate the handle up for a reduced flush.
Rotate the handle down for full flush.

TRADITIONAL LOW LEVEL WC INSTRUCTIONS

Installation & care instructions

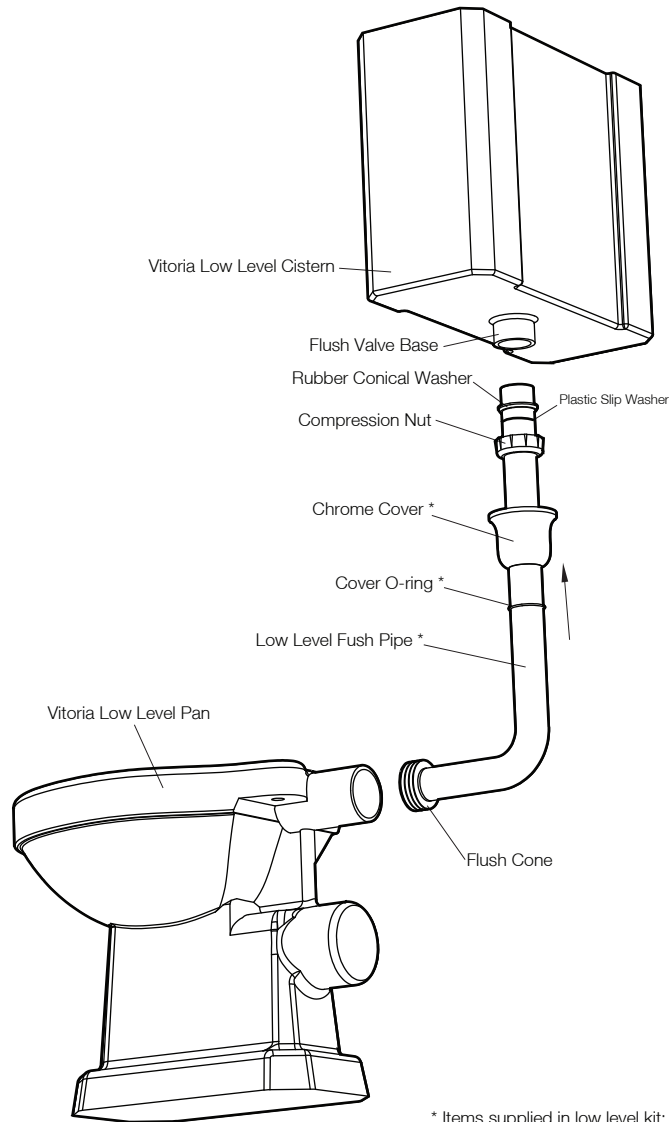
This product must be installed by a qualified fitter or plumber in accordance with and meet the requirements of the Water Supply (Water Fittings) Regulations 1999 and Scottish Byelaws 2004

IMPORTANT

Flush out all impurities in the cistern prior to installation.

ASSEMBLY DIAGRAM

Ensure you have all of the parts before proceeding.

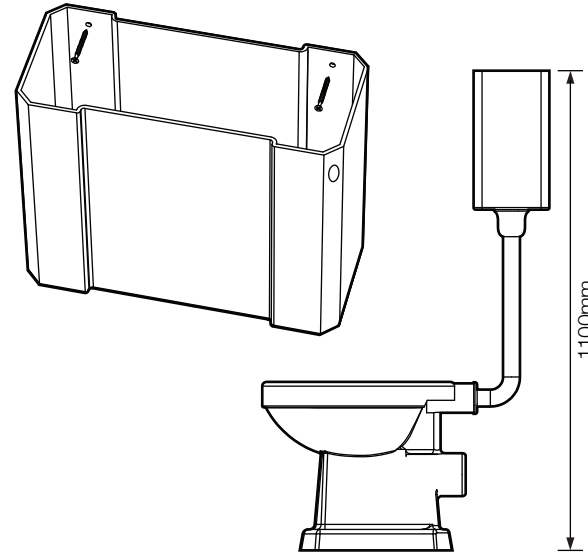


INLET VALVE SPECIFICATIONS

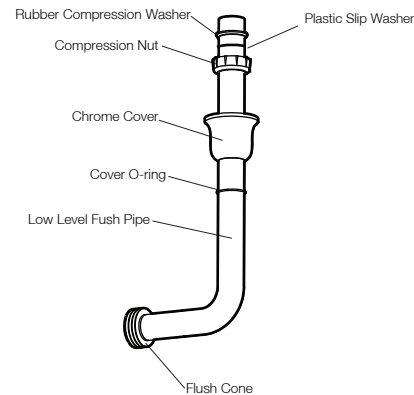
Water Temperature: 2°C - 45°C

Water Pressure: 0.2 Bar to 8 Bar

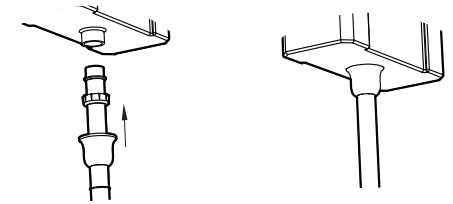
ASSEMBLY INSTRUCTIONS



1. Mount the Cistern to the wall so that the top of the cistern is 1100mm off the floor. Secure to the wall using fixings suitable for the installation at hand. (not supplied)

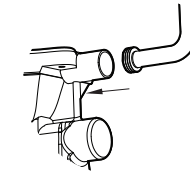


2. Put the parts labelled onto the flush pipe according to the diagram (Note that Flush Pipe, O-Ring and Chrome Cover are supplied separate to cistern in kit LLK850S)



3. Insert the flush pipe into the bottom of the cistern and tighten the compression nut. To ensure a water tight seal use PTFE tape.

Move the cover over the compression fitting and move the O-ring so it stays in position.



4. Insert the flush pipe and flush cone into the inlet hole on the pan. Ensure the pipe is fitted securely into the pan. Use a small bead of silicone to hold the cover in place.

MAKING PLUMBING CONNECTIONS

Connect the soil pipe and ensure it is adequately sealed around the toilet pan outlet to prevent leakage.

The inlet valve has a threaded connector. It is recommended that this thread is wrapped in PTFE tape before connecting the water supply.

Important: Connect the water supply to the cistern using an approved double check valve to fluid category 3 in addition to an accessible service valve.

Do not overtighten the supply to the inlet valve as this could damage the inlet valve causing leakage.

After connecting the water supply to the inlet valve check that the inlet valve components do not touch the internal walls of the cistern and the float can move freely up and down.

Check all connections are secure and a soil pipe is fitted before testing the flush.

CARE

DO NOT introduce caustic chemical substances (e.g. containing chlorine compounds or similar). These can damage the valve components and cause failure.