

# Technical Sheet for AQ9-GW Grid Style Waste 90mm

For use with our Standard Slimline Trays

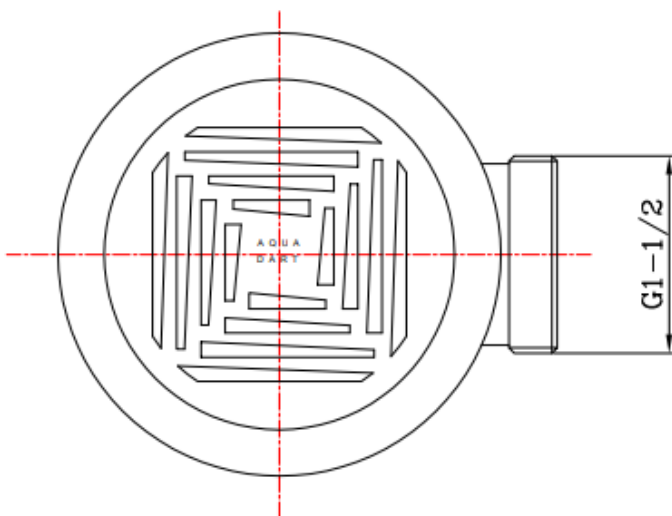
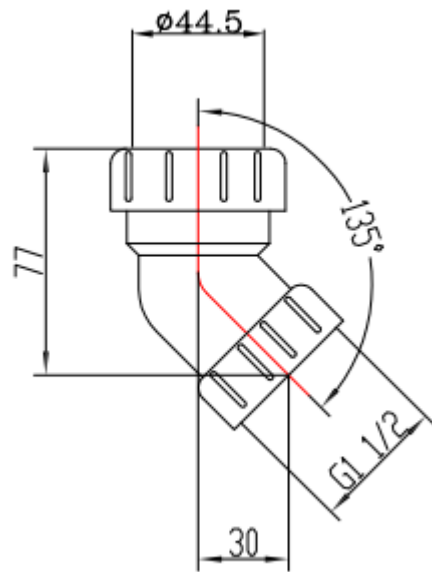
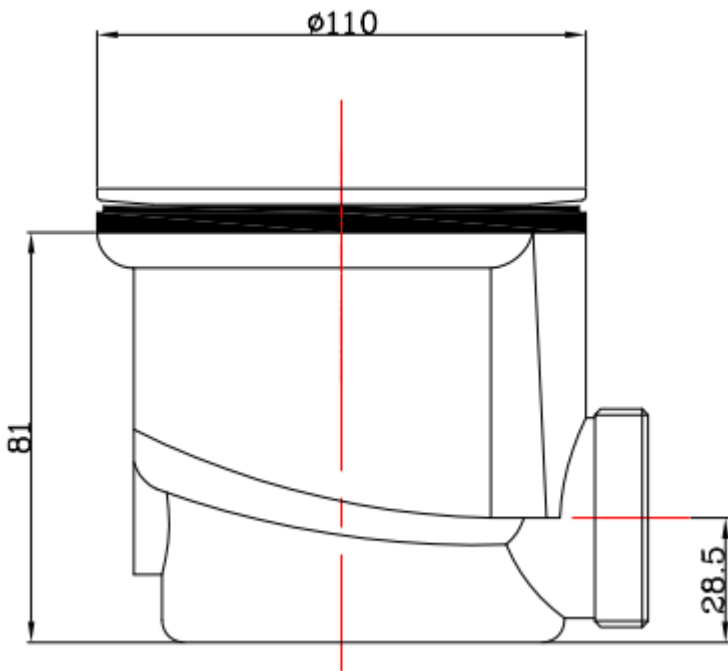
Refers to Product Codes:

AQ9-GW/700

AQ9-GW/999

AQ9-GW/BRS

Flow Rate: 37 L/min

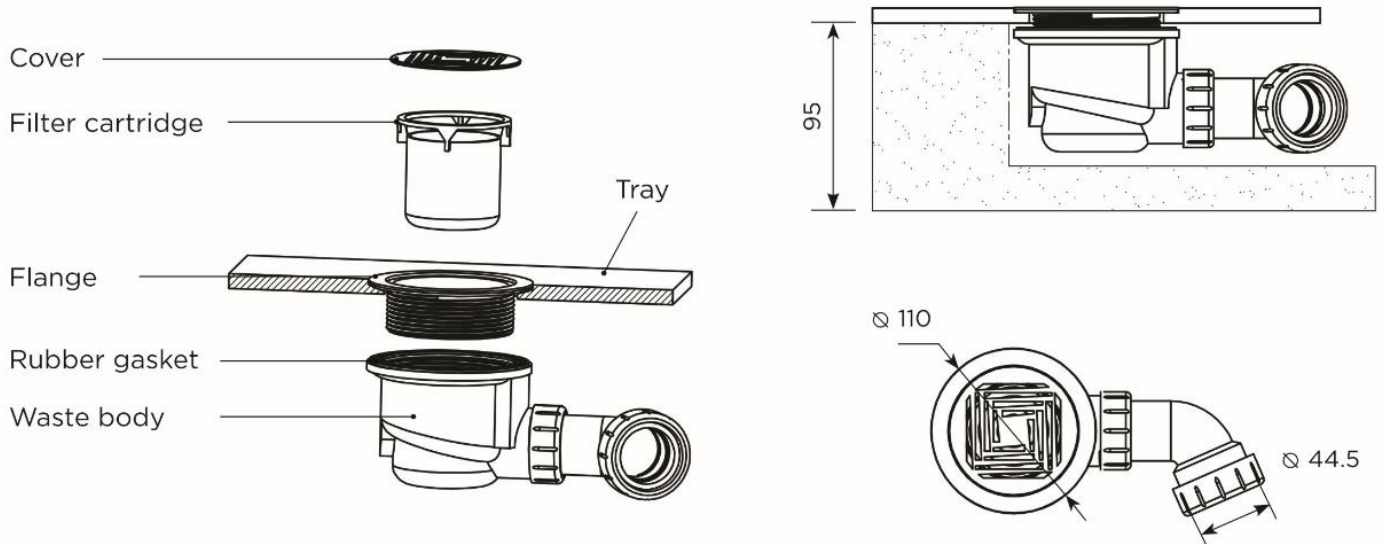


# 90MM GRID STYLE WASTE - INSTRUCTION

## IMPORTANT

Before installation identify all components and inspect the product for any damage. A claim will not be accepted if an obvious defect is found after installation.

If you are unsure of any part of the installation instructions in this document then we recommend that you contact a reputable qualified trades person.



## INSTALLATION

1. Remove the cover and filter cartridge before unscrewing the flange from the waste body.
2. Install the waste body according to the above exploded diagram. Ensure the rubber gasket is placed on the waste body as shown above.
3. Silicone the top of the rubber gasket to seal under the tray.
4. Fit the flange into the waste body and tighten. We recommend applying silicone under the flange rim to seal to the tray.
5. Place the filter cartridge and cover into the waste body.
6. Once completed check all components for watertightness.

**DO NOT USE THE TRAY FOR 24HOURS AFTER SEALING**