

Bath Overflow Cover Instruction


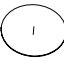

For use with contemporary baths

Important

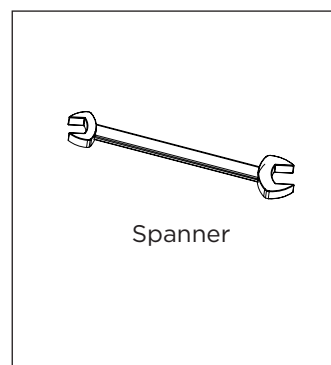
Please read these instructions carefully and keep in a safe place for future reference. If you are unsure of any part of the instructions in this document then we recommend that you contact a reputable qualified trades person.

Before installation identify all components and inspect the product for any damage.

Parts Supplied

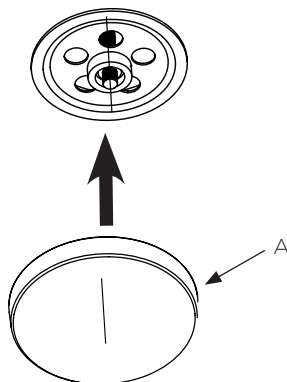
REFERENCE	DESCRIPTION	IMAGE
A	Overflow Cover	
B	Waste Cover	
C	Bounce Valve	

Tools Required



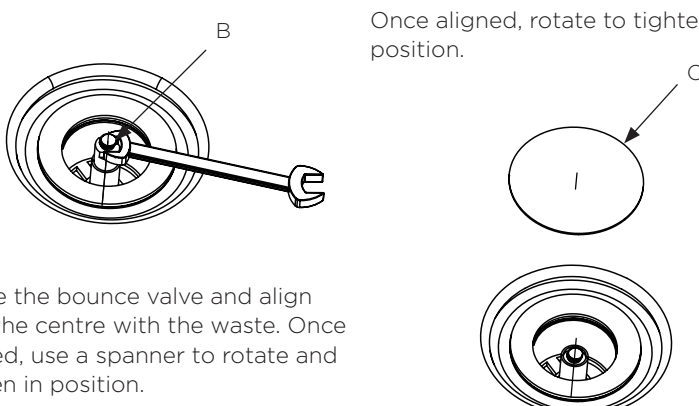
Installation Process

Overflow Cover Installation



1. Align the centre of the overflow cover with the overflow hole. Once aligned, rotate to tighten in position.

Waste Cover Installation



1. Take the bounce valve and align with the centre with the waste. Once aligned, use a spanner to rotate and tighten in position.

2. Take the waste cover and align with the bounce valve and waste. Once aligned, rotate to tighten in position.

Aftercare

Care **MUST** be taken when cleaning our products to avoid damaging the fitting or finish. To maintain the appearance of the fitting, please ensure it is cleaned regularly using only a clean soft damp cloth. Whilst all of our products are durable the finishes are vulnerable to some strong substances, we only recommend the use of warm soapy water, **DO NOT** use abrasive sponges, strong household cleaners, scouring agents, organic solvents or acidic cleaners as they may cause surface deterioration, peeling or change of colour.