

# BATH INSTALLATION AND CARE INSTRUCTIONS

[www.aprilproducts.co.uk](http://www.aprilproducts.co.uk)

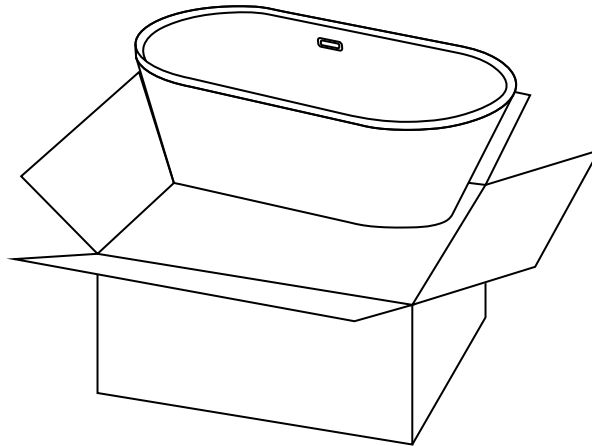
april

## Important notice – Please read

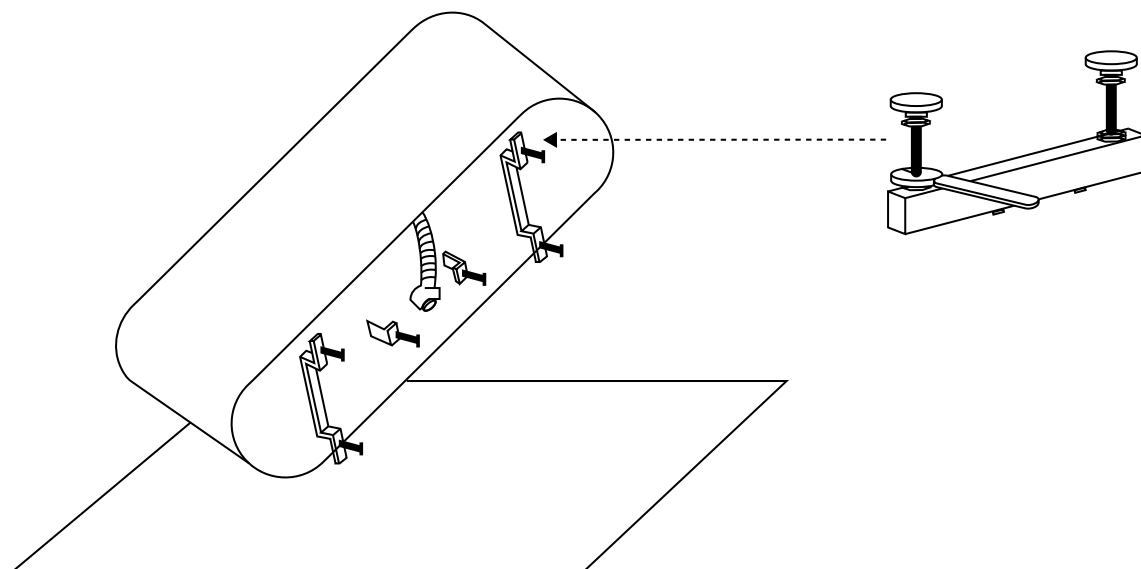
Please read these instructions carefully. It is advised that a qualified plumber fit and install this bath. Failure to adhere to these instructions will invalidate the manufacturers guarantee and no responsibility will be accepted for any loss or damage. This does not affect your statutory rights.

Please inspect this product immediately for damage, size and colour. Do not install this product if you are not satisfied, as no claims for consequential damage will be accepted.

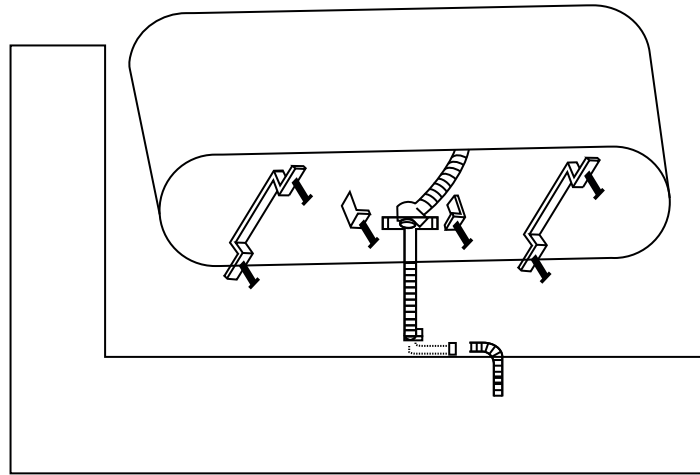
**Step 1.** Remove the bathtub from the packaging and check for any missing components prior to installation.



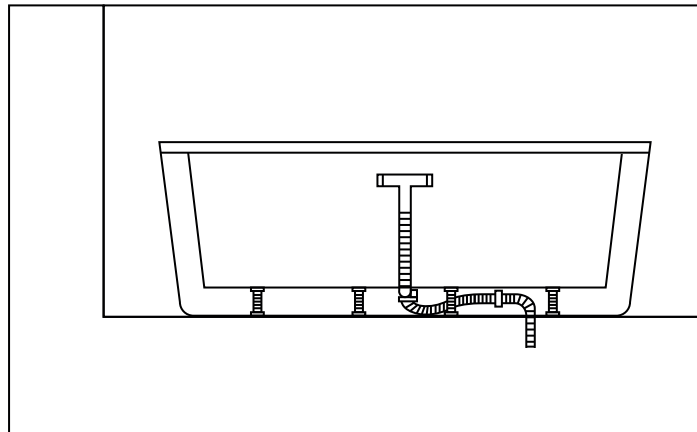
**Step 2.** Ensure the bathtub is leveled via the adjustable bracket at the intended local installation area.



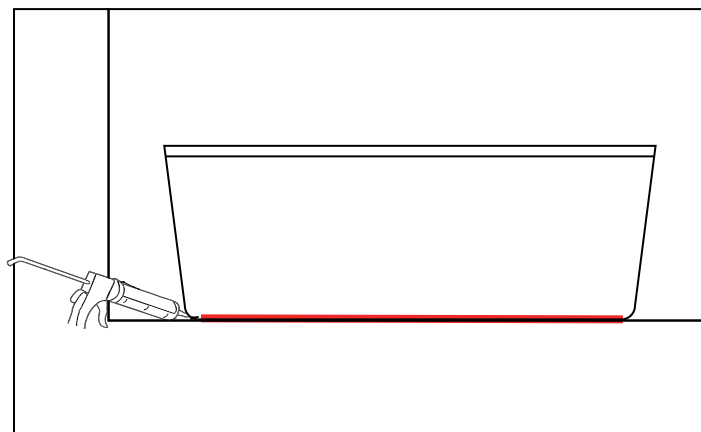
**Step 3.** Ensure the water outlet pipe is connected.



**Step 4.** Place the bath in the required position ensuring it is secure.



**Step 5.** Silicone the bath along the gap between the skit and the floor. Installation is completed



# AFTERCARE

## **CLEANING**

The bath has been independently tested to all relevant standards which include staining and chemical resistance. We advise the use of a non abrasive bathroom cleaner. The cleaner must be washed off after use and not left on the bath surface for more than 5 minutes.

**Do Not** use cream cleaners or cleaners containing bleach

**Do Not** scrub or scour

**Do Not** use abrasive cleaning agents

**Do Not** use solvent based cleaners

Using any of the above cleaning products will cause the surface to deteriorate and invalidate the guarantee.

## **SCRATCHES**

The bath should be free from any scratch or indents. If a scratch does occur during the life of the bath it may be possible to polish out fine scratches using a white t-cut automotive polish restorer. These can be purchased from any automotive store.