

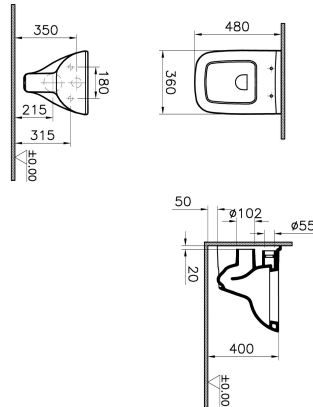
Name	S20 Wall-Hung WC
Collection	S20
Certificate	CE
Colour	White
Designer	VitrA Design Team



Product Code: 5505L003-0101

Description

48cm, White



VitrA reserves the right to make changes in products and technical details without prior notice.

All drawings contain the necessary measurements which are subject to standard tolerances. For exact measurements, in particular for customized installation scenarios, it can only be taken from the finished ceramic product.