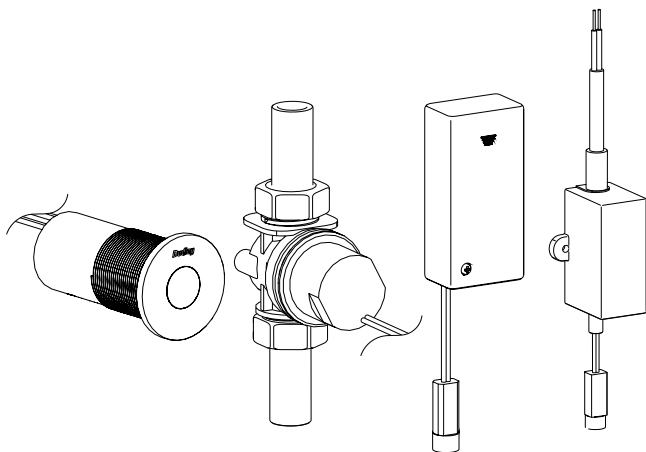


Dudley



ELECTROFLO
URINAL SENSOR



INSTALLATION GUIDE



IMPORTANT NOTES

DO NOT install the system facing a mirror or any other electronic system operated by infrared sensors.

To prevent reflection problems, it is recommended to keep a minimum distance of 1500mm between the sensor and any other objects.

Before installation, flush supply pipes and ensure that they are clean and free from debris.

Shut off water supply prior to installation

A backflow prevention device which meets the requirements of Fluid Category 5 must be fitted downstream of the solenoid valve.

Installation of the mains adaptor must be carried out and checked by a qualified electrician.

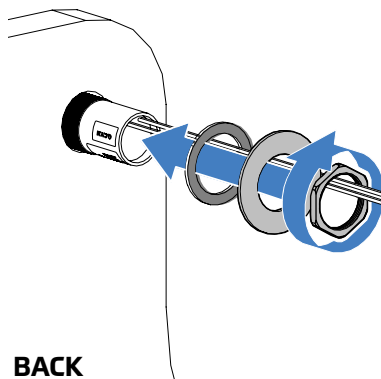
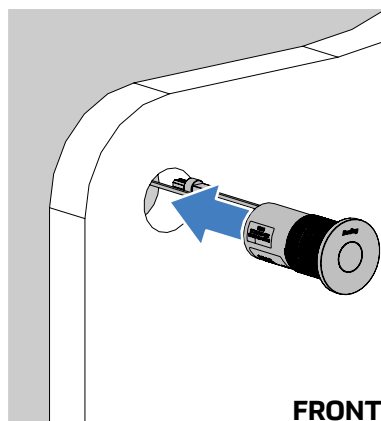
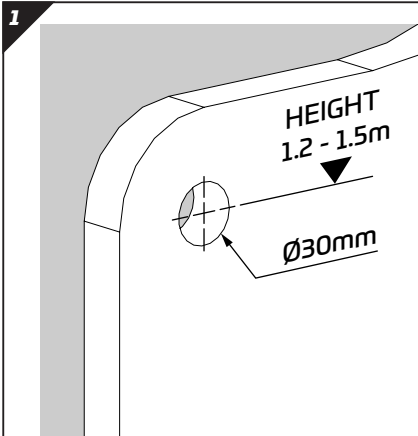
During installation do not expose the electronics to fluids, dust, dirt or damp.

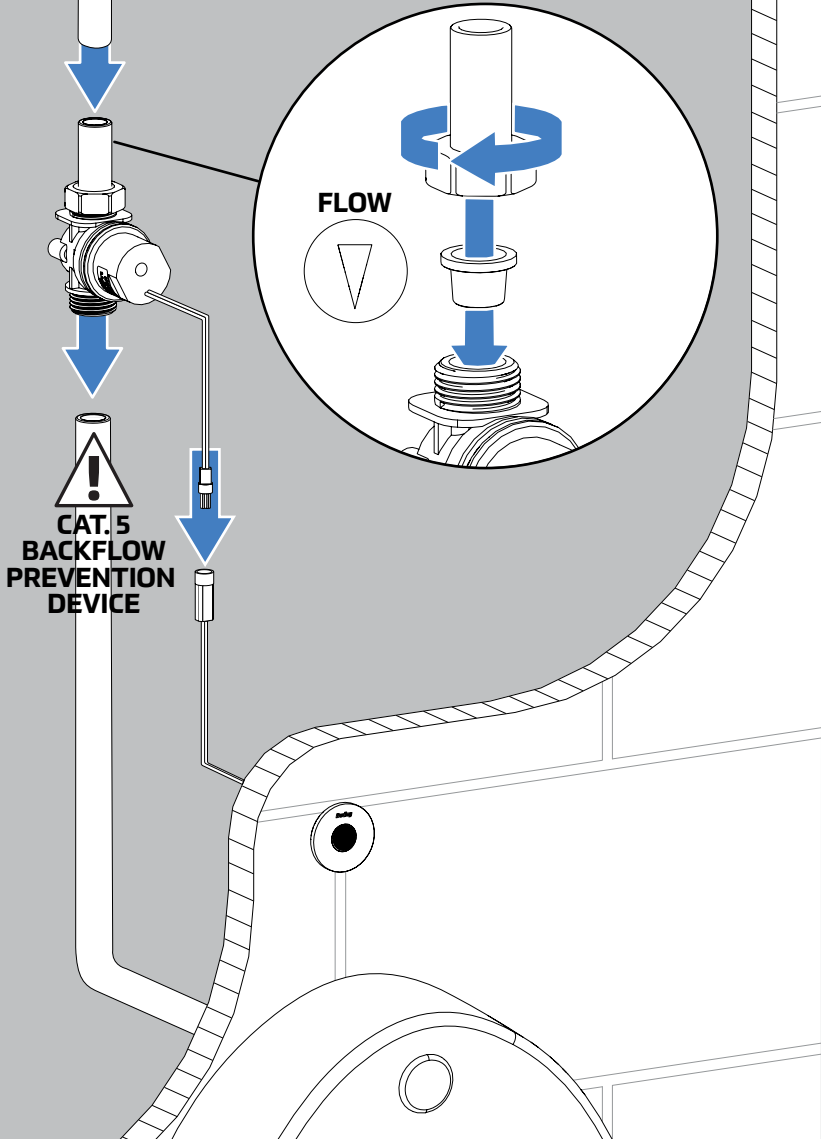
DO NOT use steel wool or cleansing agents containing alcohol, acid, abrasives, or the like.

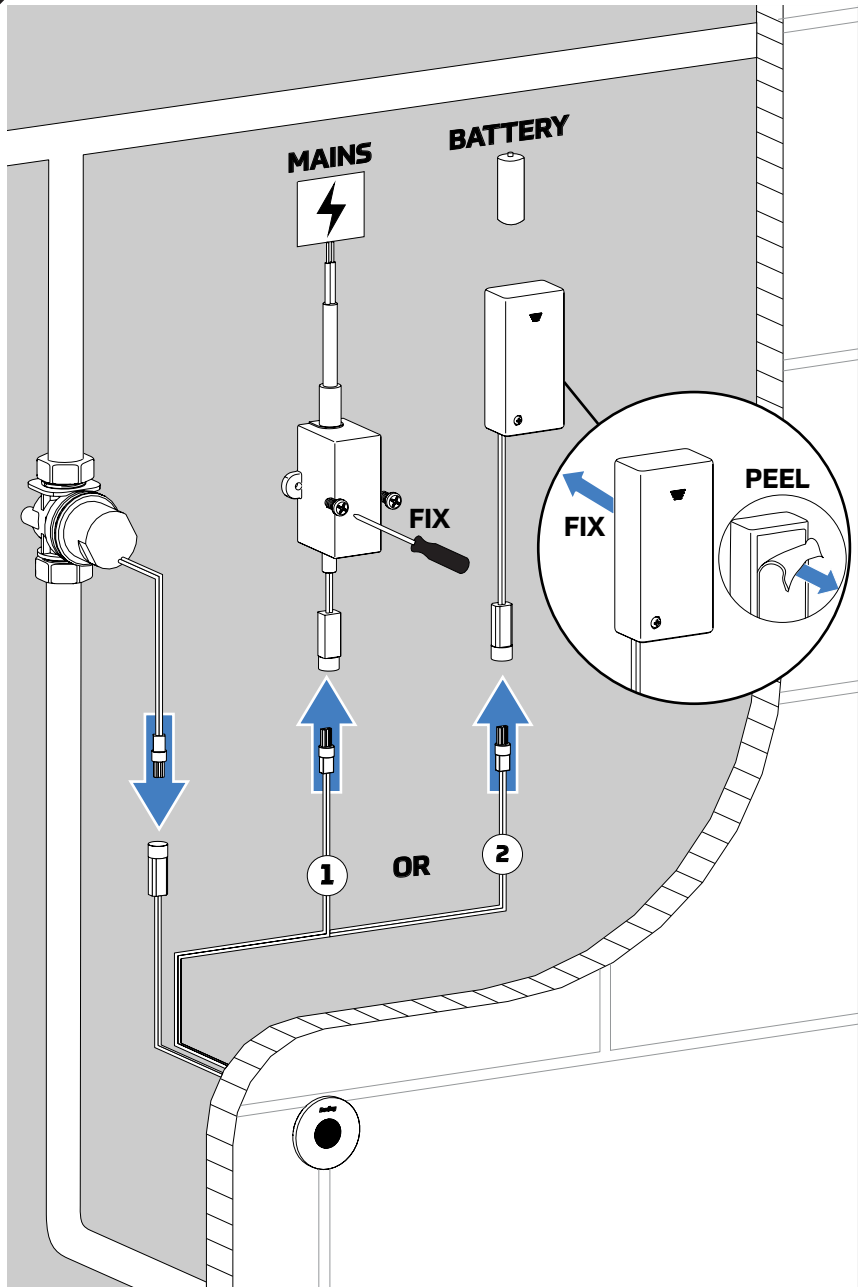
For surface cleaning of the sensor use ONLY soap and water, then wipe dry with a clean cloth or towel. When cleaning bathroom tiles, the taps should be protected from splashing of harsh cleansers.

TECHNICAL DATA

| | |
|---------------------------------|--|
| Power Supply | 9V lithium battery (not included) or transformer |
| Operating Water Pressure | 0.5 - 8 bar |
| Sensor range | 300-800mm. Preset to 600mm |
| Auto Flush | Automatic hygiene flush every 24 hrs |
| Preset Flush Time | 6 secs |







REMOTE CONTROL (Purchased Separately)

Detection **RANGE**. If necessary press the button and use the +/- keys to adjust range between 300-800mm.

DELAY IN TIME is the time between sensor detection and water flow.

Press this button until sensor LED blinks and use the +/- keys to adjust.

IN

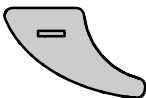
DELAY OUT TIME

is the flow time after sensor detection.

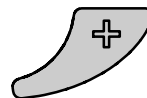
Press this button until sensor LED blinks and use the +/- keys to adjust flow time.

OUT

DECREASE



INCREASE



Automatically **ADJUSTS**

sensor range. The solenoid valve will open for 1 second to indicate range is set.

ADJ

If **FACTORY RESET** is

required press and hold this button and press + button once.

RES

Adjusts the **FLOW TIME** of the flush.

Press this button and use the +/- keys to adjust range.



Flush is pre-set to cycle every 24hrs

for **HYGEINE FLUSH**.

Press the button and use the +/- keys to turn on/off.



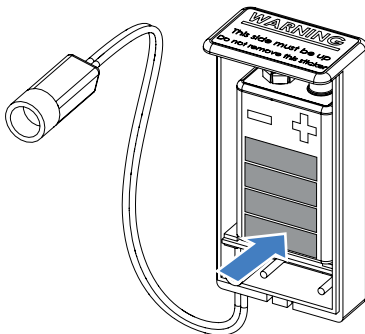
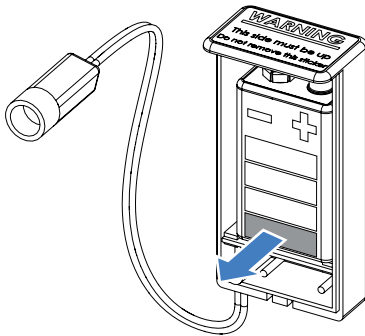
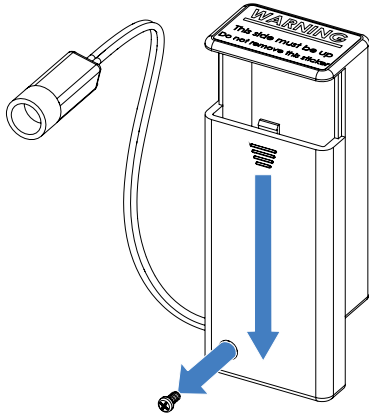
Turns **Sensor Off** for 1 minute to allow for cleaning. To cancel press the button again.



Not applicable with ElectrFlo Urinal Sensor.

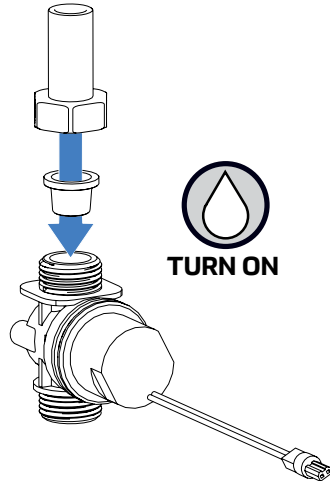
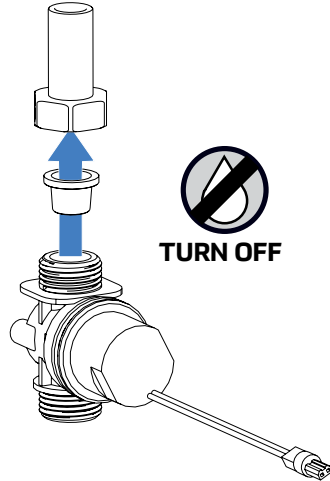
5

CHANGING BATTERY



6

CLEANING FILTER



TROUBLE SHOOTING

| Problem | Cause | Solution |
|-------------------------|--|--|
| Valve does not flush | 1) Battery Powered version only. Blue sensor LED will blink at a constant rate when the user stands within sensor range. | Replace battery within 2 weeks. |
| | 2) Incorrect sensor range. | See 4. REMOTE CONTROL |
| | 3) Connectors not fully inserted. | Ensure connectors are fully inserted until white o-ring is not visible. Keep dry. Check power. |
| | 4) Reflection issue from other object. | Ensure sensor is not receiving reflections from nearby object/mirror/another IR sensor. |
| | 5) Dirty solenoid valve. | Unscrew solenoid valve, remove plunger and spring and clean with water. When replacing the spring, make sure it is in the vertical position. |
| | 6) Incorrect water pressure | Check the water supply pressure. It must be between 0.5 - 8 bar (7 - 116 PSI). For water pressures above 8 bar, use a pressure reducing valve. |
| Valve does not shut off | 1) Dirty diaphragm | If necessary, clean the diaphragm or replace it. |
| | 2) Dirty solenoid valve | Unscrew solenoid valve, remove plunger and spring and clean with water. When replacing the spring, make sure it is in the vertical position. |
| | 3) Incorrect sensor range distance | Decrease sensor range or remove reflective objects within sensor range. |
| | 4) Dirty sensor | Ensure sensor is free from debris and not obstructed. |

TYDE

295 Birmingham New Road
Dudley, West Midlands
United Kingdom
DY1 4SJ

A Thomas Dudley Business

t +44 (0)121 557 5411

f +44 (0)121 557 5345

e info@tyde.co.uk

w www.thomasdudley.co.uk/tyde

© 2023 TYDE_11572 Iss E

