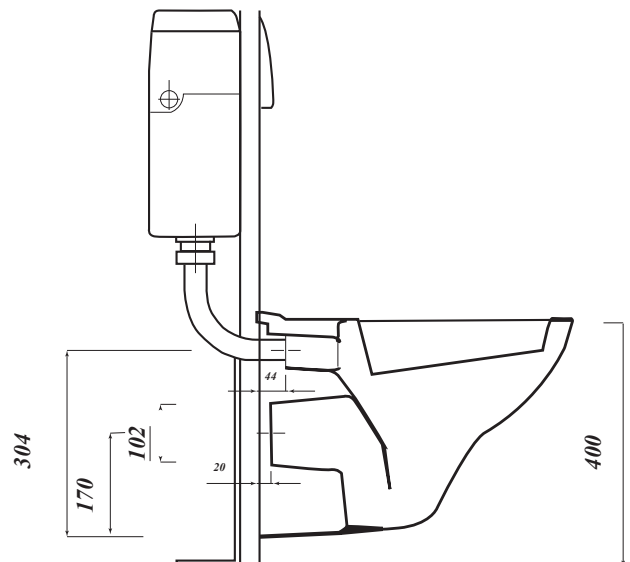
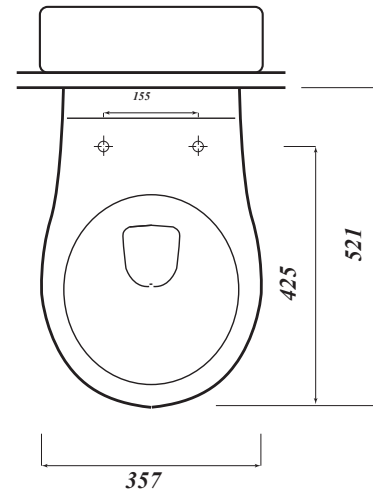
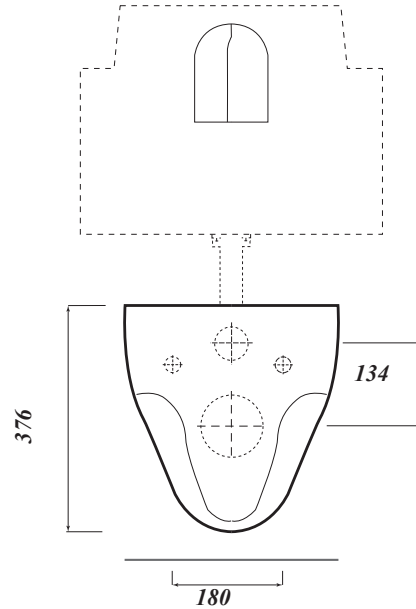


23.BSPWHP Base Wall Hung Pan



- Product Code:** 23.BSPWHP
- Outlet:** Horizontal
- Weight:** 14.5 Kg
- Fixing Kit Included:** No
- Material:** Vitreous China
- Flushing Volume:** 6/4 Ltr
- Key Features:** UKCA Compliant
Lifetime ceramic guarantee
- Note:** Excludes seat and Concealed Cistern & Frame

All dimensions are in millimetres unless otherwise stated. The information contained on this page was correct at date of issue. Fitting dimensions are provided as a guide only. Some variation may occur due to manufacturing tolerances. We pursue a policy of continuing improvement in design and performance of our products and so reserve the right to change specifications without prior notice.