

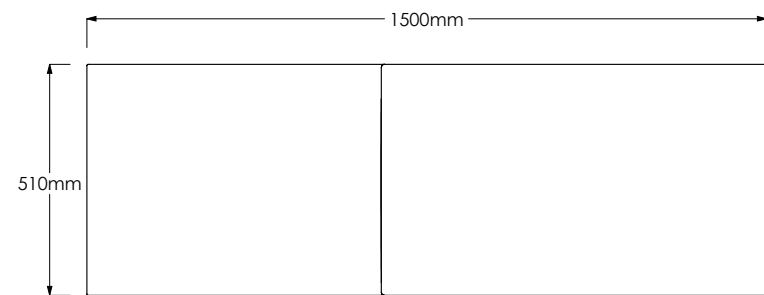
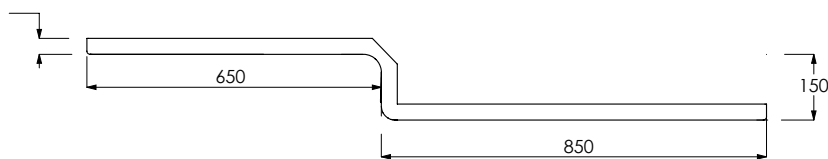
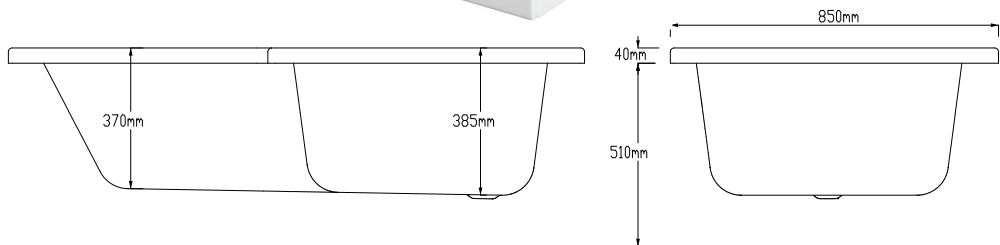
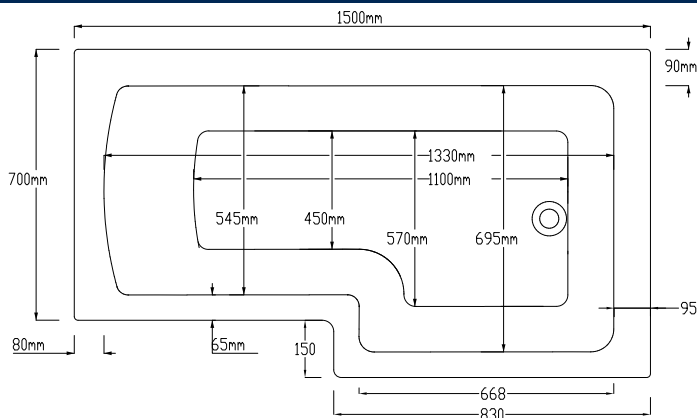
DATA SHEET



Cube Shower Bath - 1500mm



Left hand shown



Product	Size	Codes	Material	Weight - Standard	Weight - Trojancast
Left hand bath	1500 x 700/850mm	21.CSB15L	Lucite acrylic sheet	22.5kg	26.5kg
Right hand bath	1500 x 700/850mm	21.CSB15R	Lucite acrylic sheet	22.5kg	26.5kg
Capacity: 210 Litres					
6mm glass screen	1400mm high	21.CS	Extruded aluminum profile	23kg	-
Front Bath panel	1500 x 510mm	21.CFP15	ABS capped acrylic	5kg	-
End Bath panel	700 x 510mm	21.CEP	ABS capped acrylic	4kg	-

Notes: includes feet

Manufacturer: Trojan - Made in Britain

Guarantee: Standard 25 years and Trojancast 30 years

Optional Extras: The Cube Shower bath is available with Trojancast intensive reinforcement. This reinforcement process results in each bath being incredibly strong and hard-wearing. Trojancast's British racing green resin jacket covers the entire underside of the bath adding real strength and insulating properties. The additional bath thickness reduces the heat of the water being lost through the side walls, keeping your water hotter for longer.