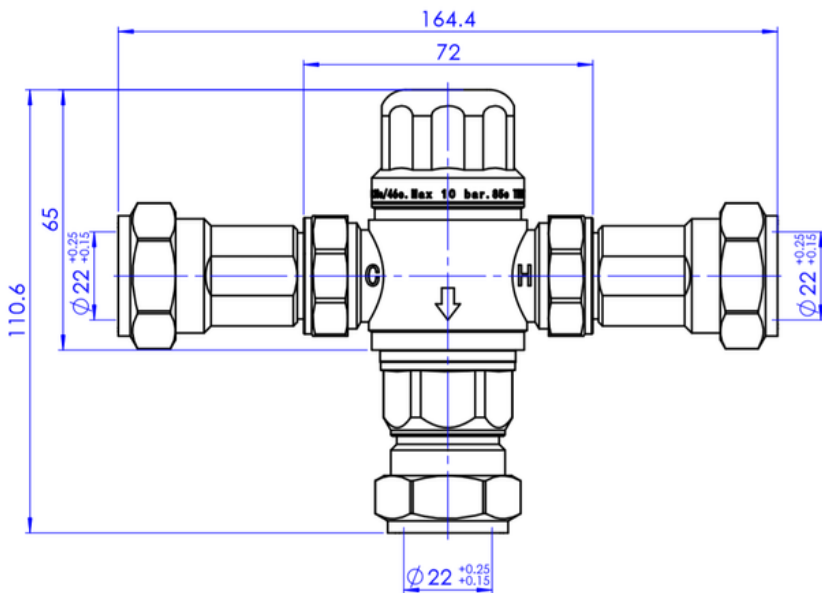


167.TMV22 Thermostatic 22mm Mixing Valve



Product code:	167.TMV22	Standards:	BSEN 1111, BSEN 1287
Construction:	Brass	Temperature range:	30 - 50 ° C, accuracy +/- 2 ° C, maximum inlet temp 65 ° C
Finish:	Chrome	Fitting:	Inlet: 22mm compression connection Outlet: 22mm compression connection
Water Pressure:	Mn. 0.3 bar, max. 5.0 bar	Packaging:	32 x 28 x 25cm / carton (20 boxes), dimension: 14.5 x 11.5 x 5cm / box. Weight: 0.78kg/box
Plumbing Systems:	Suitable for all plumbing systems, hot and cold water pressure preferably balanced. Max. supply pressure differential requirement no greater than 5:1	Guarantee:	10 years against manufacturing faults (excluding serviceable parts)

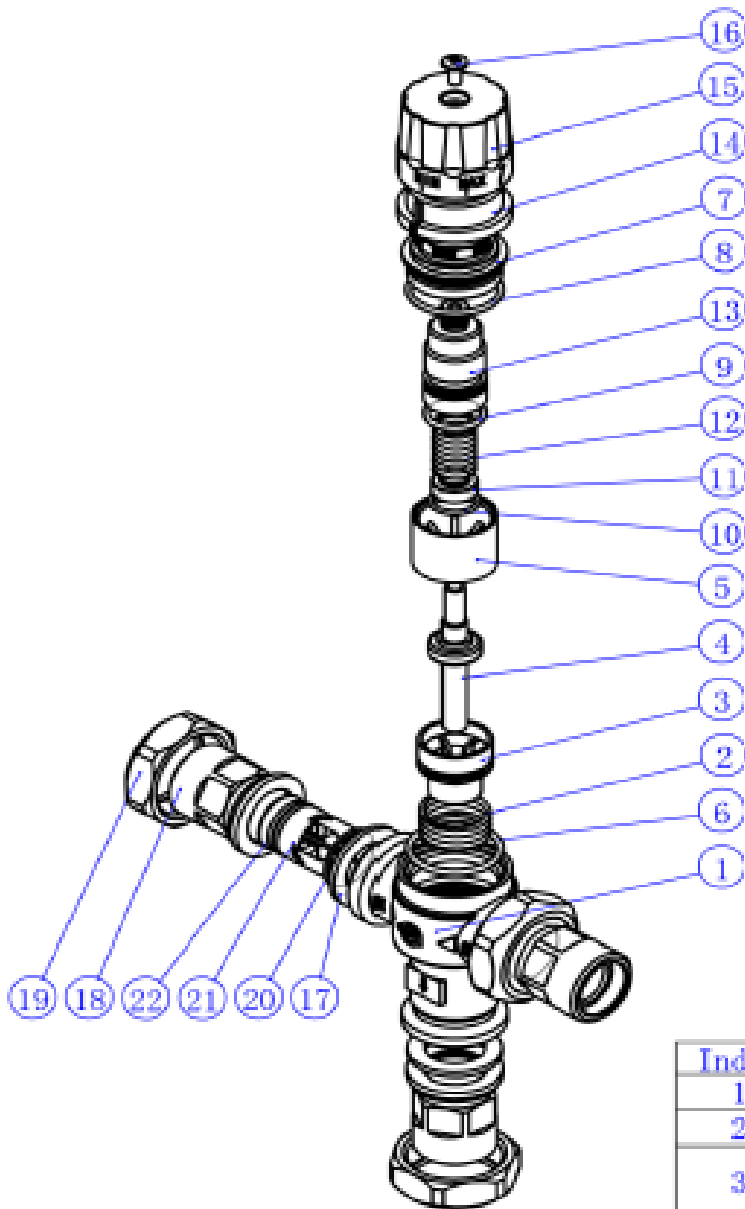
Flow rates (litres per minute)

System Pressure	0.1 bar	0.2 bar	0.3 bar	0.5 bar	1.0 bar	1.5 bar	2.0 bar	3.0 bar	4.0 bar	5.0 bar
167.TMV22	-	-	8.2	11.8	16.5	-	21.0	26.5	-	-

167.TMV22

THE TUNBRIDGE WELLS

Brassware Co.



Index	Part Name	Material	QTY
1	Valve Body	Brass	1
2	Spring	SUS304	1
3	Plastic Spring Gasket	PSU	1
4	0304 Thermostat Subassembly	Subassembly	1
5	Plastic Piston	PSU	1
6	O Ring	EPDM	1
7	Bonnet	Brass	1
8	O Ring	EPDM	1
9	O Ring	EPDM	1
10	Circlip	SUS304	1
11	Spring Gasket	Brass	1
12	Spring	SUS304	1
13	Stem	Brass	1
14	Upper Cover Sleeve	ABS	1
15	Cap	ABS	1
16	Screw	SUS304	1
17	Rubber Gasket	EPDM	3
18	Union Bonnet	Brass	3
19	Live Cap	Brass	3
20	Circlip	SUS304	2
21	Check Valve	Acetal	2
22	Strainer	SUS304	2