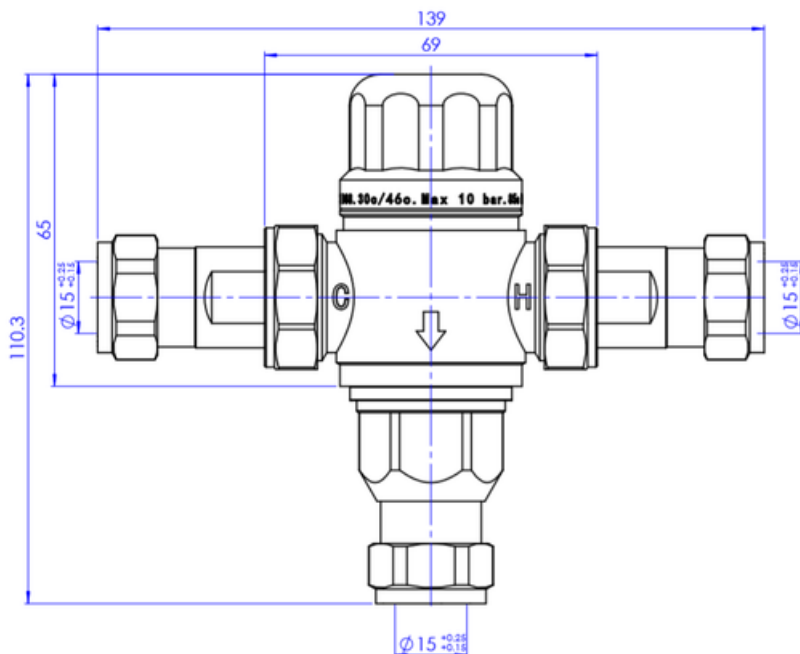


167.TMV15 Thermostatic 15mm Mixing Valve



Product code: 167.TMV15

Construction: Brass

Finish: Chrome

Water Pressure: Min. 0.3 bar, max. 5.0 bar

Plumbing Systems: Suitable for all plumbing systems, hot and cold water pressure preferably balanced. Max. supply pressure differential requirement no greater than 5:1

Standards: BSEN 1111, BSEN 1287

Temperature range: 30 - 50 ° C, accuracy +/- 2 ° C, maximum inlet temp 65 ° C

Fitting: Inlet: 15mm compression connection

Outlet: 15mm compression connection

Packaging: 32 x 28 x 25cm / carton (20 boxes), dimension: 14.5 x 11.5 x 5cm / box. Weight: 0.63kg/box

Guarantee: 10 years against manufacturing faults (excluding serviceable parts)

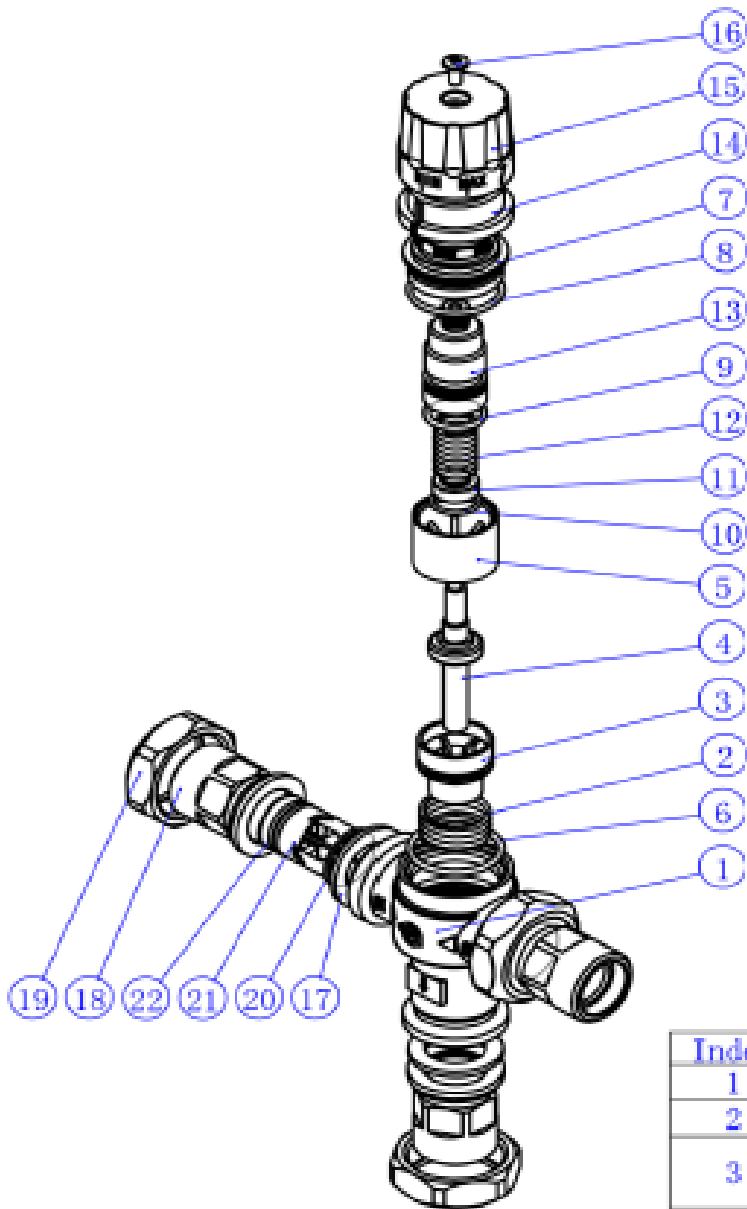
Flow rates (litres per minute)

System Pressure	0.1 bar	0.2 bar	0.3 bar	0.5 bar	1.0 bar	1.5 bar	2.0 bar	3.0 bar	4.0 bar	5.0 bar
167.TMV15	-	-	8.2	10.8	16.5	-	21.0	26.5	-	-

167.TMV15

THE TUNBRIDGE WELLS

Brassware Co.



Index	Part Name	Material	QTY
1	Valve Body	Brass	1
2	Spring	SUS304	1
3	Plastic Spring Gasket	PSU	1
4	0304 Thermostat Subassembly	Subassembly	1
5	Plastic Piston	PSU	1
6	O Ring	EPDM	1
7	Bonnet	Brass	1
8	O Ring	EPDM	1
9	O Ring	EPDM	1
10	Circlip	SUS304	1
11	Spring Gasket	Brass	1
12	Spring	SUS304	1
13	Stem	Brass	1
14	Upper Cover Sleeve	ABS	1
15	Cap	ABS	1
16	Screw	SUS304	1
17	Rubber Gasket	EPDM	3
18	Union Bonnet	Brass	3
19	Live Cap	Brass	3
20	Circlip	SUS304	2
21	Check Valve	Acetal	2
22	Strainer	SUS304	2