

Bowl Mono Basin Mixer (Inc. Waste)



Product Code: Chrome 167.BWBM
Matt Black 167.BWBMBL
Brushed Brass 167.BWBMBB

Construction: Brass Body (CuZn40Pb2),
EN CW617N (equivalent to BS CZ122)
Zinc-alloy handle

Water Pressure: Min. 0.5 bar, Max. 6.0 bar

Plumbing Systems: Suitable for all plumbing systems,
Hot and Cold water pressure preferably balanced Max.
supply pressure differential requirement no greater than 5:1

Standards: Complies with BS6920, BS EN200

Cartridge: CITEC 35mm 110° turn cold start ceramic disc

Aerator: Neoperl slim aerator

Fitting: UK: M10 x 350mm G1/2" BSP female flexi tails
EU: M10 x 350mm G3/8" BSP female flexi tails

Packaging: 46 x 28 x 34cm / carton (8 boxes)
Dimension: 27 x 22 x 8cm / box
Weight: 1.44Kg / box

Guarantee: 10 years against manufacturers faults (Excluding serviceable parts)

Additional Information: Supplied with G1 1/4" Slotted Click Clack Waste



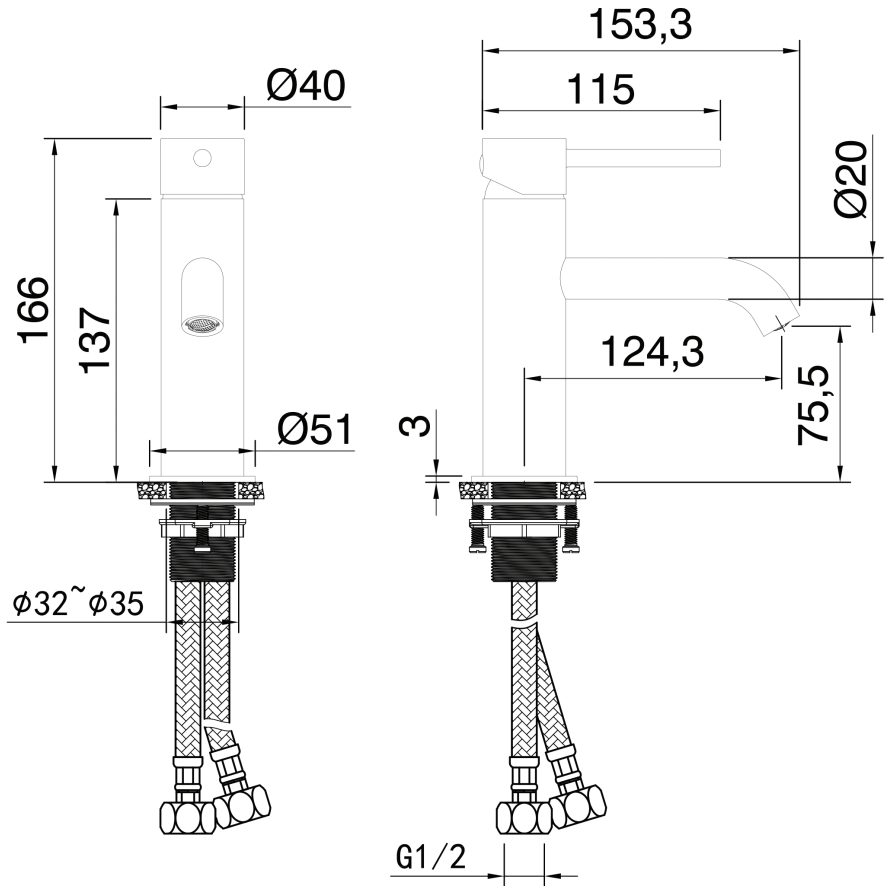
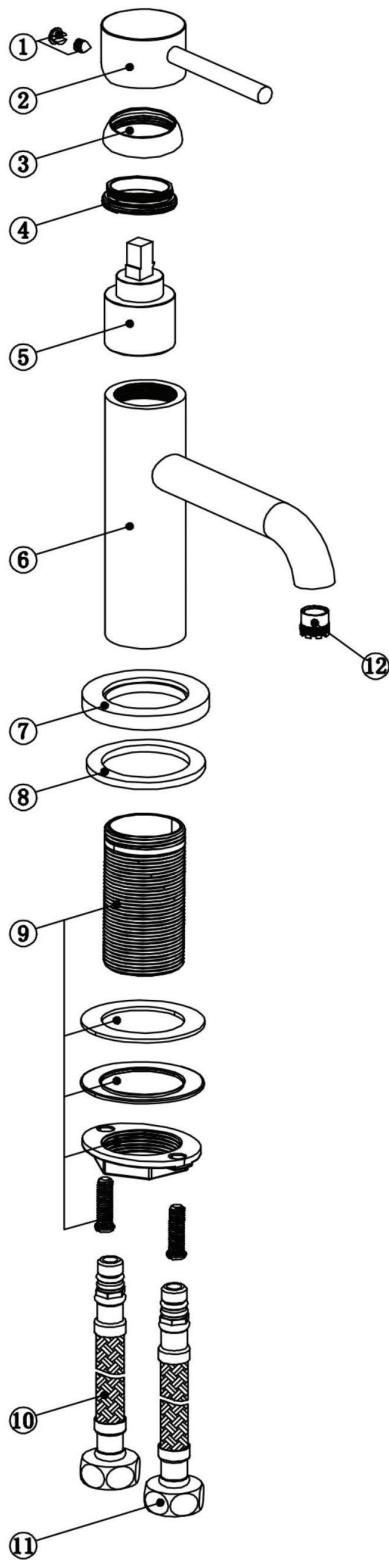
Flow Rates (litres per minute)

System Pressure	0.1 Bar	0.2 Bar	0.3 Bar	0.5 Bar	1.0 Bar	1.5 Bar	2.0 Bar	3.0 Bar	4.0 Bar	5.0 Bar
167.BWBM/BL/BB	-	-	-	4.6	6.0	-	8.3	10.2	-	-

All dimensions are in millimetres unless otherwise stated. The information contained on this page was correct at date of issue. Fitting dimensions are provided as a guide only. Some variation may occur due to manufacturing tolerances. We pursue a policy of continuing improvement in design and performance of our products and so reserve the right to change specifications without prior notice.

167.BWBM/BL/BB

THE TUNBRIDGE WELLS
Brassware Co.



NO.	ITEM	QTY
1	GRUB SCREW & COVER CAP	1
2	ZINC-ALLOY HANDLE	1
3	HANDLE COLLAR	1
4	BRASS CARTRIDGE NUT	1
5	35MM CITEC COLD-START CERAMIC DISC CARTRIDGE	1
6	BRASS TAP BODY	1
7	BASE PLATE	1
8	BASE PLATE WASHER	1
9	BRASS TAP FIXING SET	1
10	G1/2" BSP FLEXI-TAIL (HOT)	1
11	G1/2" BSP FLEXI-TAIL (COLD)	1
12	AERATOR	1