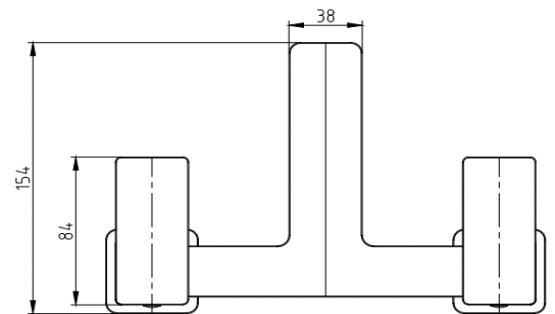
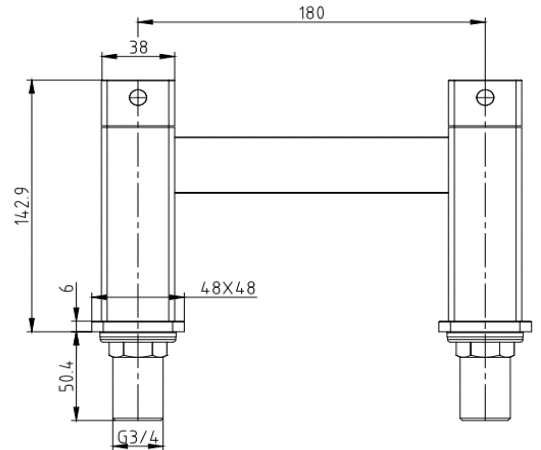
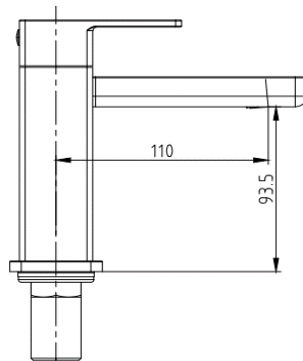
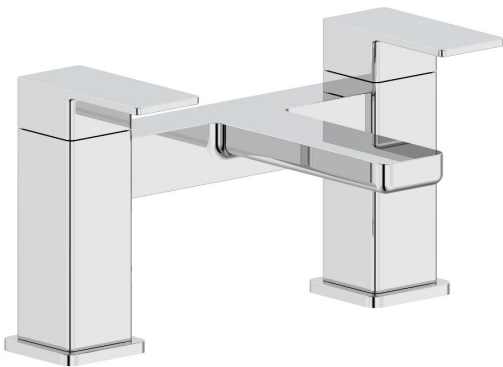


Broadwater Deck Mounted Bath Filler



Product Code: Chrome 167.BWADMBF
Matt Black 167.BWADMBFBL

Construction: Brass Body; zinc-alloy handles

Plumbing Systems: Suitable for all plumbing systems, hot and cold water pressure pref. balanced
Max. supply pressure differential requirement no greater than 5:1

Water Pressure: Min. 0.5 bar, Max. 6.0 bar

Cartridge: Ceramic disc valves

Fitting: G $\frac{3}{4}$ " BSP tails

Packaging: Dimension: 25 x 22 x 18cm / box
Weight: 2.4Kg / box

Guarantee: 10 years against manufacturer's faults (Excluding serviceable parts)



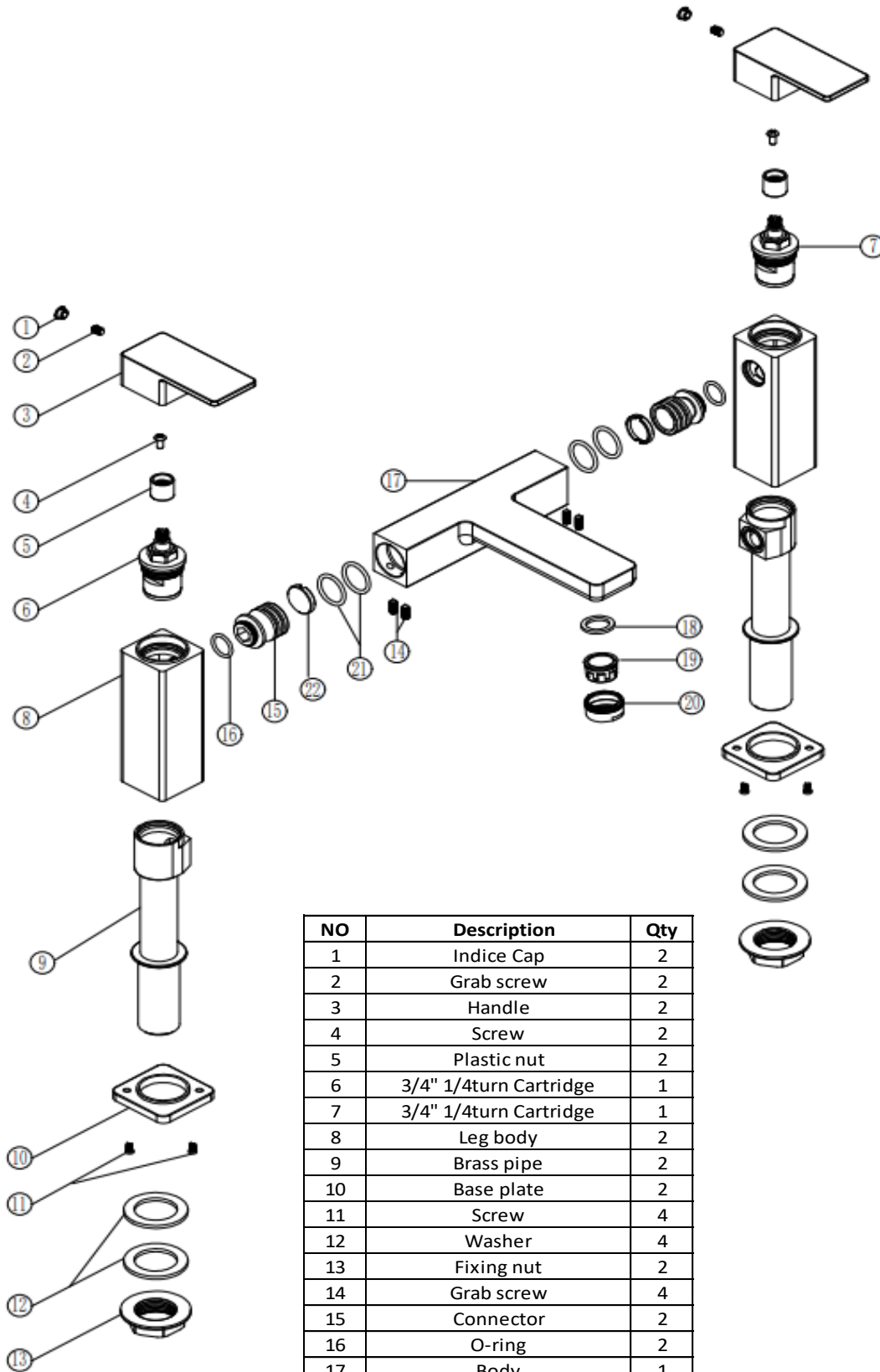
Flow Rates (Litres per minute)

System Pressure	0.1 Bar	0.2 Bar	0.3 Bar	0.5 Bar	1.0 Bar	1.5 Bar	2.0 Bar	3.0 Bar	4.0 Bar	5.0 Bar
167.BWADMBF	-	7.1	13.0	17.6	20.0	23.0	24.0	26.8	-	-

All dimensions are in millimetres unless otherwise stated. The information contained on this page was correct at date of issue. Fitting dimensions are provided as a guide only. Some variation may occur due to manufacturing tolerances. We pursue a policy of continuing improvement in design and performance of our products and so reserve the right to change specifications without prior notice.

167.BWADMBF**

THE TUNBRIDGE WELLS
Brassware Co.



NO	Description	Qty
1	Indice Cap	2
2	Grab screw	2
3	Handle	2
4	Screw	2
5	Plastic nut	2
6	3/4" 1/4turn Cartridge	1
7	3/4" 1/4turn Cartridge	1
8	Leg body	2
9	Brass pipe	2
10	Base plate	2
11	Screw	4
12	Washer	4
13	Fixing nut	2
14	Grab screw	4
15	Connector	2
16	O-ring	2
17	Body	1
18	Washer	1
19	Aerator	1
20	Aerator Cap	1
21	O-ring	4
22	Ring	2