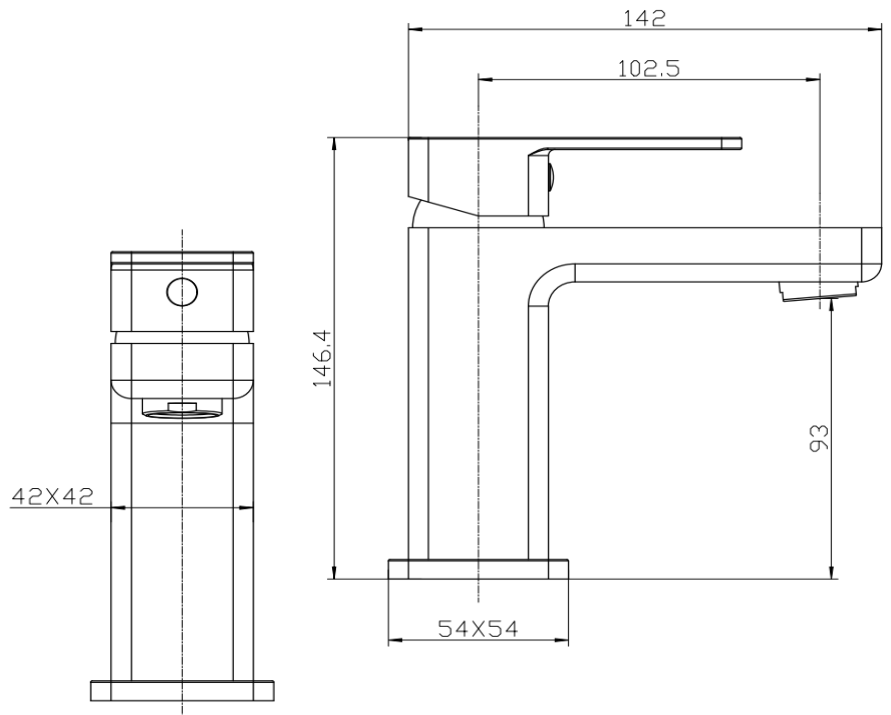


# DATA SHEET

THE TUNBRIDGE WELLS  
Brassware Co.

## Broadwater Basin Mono Mixer (Inc. Sprung Waste)



**Product Code:** 167.BWABM

**Construction:** Brass Body (CuZn40Pb2), EN CW617N (equivalent to BS CZ122) Zinc-alloy handle

**Finishes:** Chrome

**Water Pressure:** Min. 0.2 bar, Max. 6.0 bar

**Plumbing Systems:** Suitable for all plumbing systems, Hot and Cold water pressure preferably balanced Max. supply pressure differential requirement no greater than 5:1

**Standards:** Complies with BS6920, BS EN200

**Cartridge:** 35mm ceramic disc cartridge

**Aerator:** Spout aerator

**Fitting:** M10 x 400mm G½” BSP female flexi tails

**Packaging:** 35.5 x 26.5 x 42cm / carton (10 boxes)  
Dimension: 25.5 x 17 x 8cm / box  
Weight: 1.5Kg / box

**Guarantee:** 10 years against manufacturing faults (Excluding serviceable parts)

**Additional Information:** Supplied with G1¼” Sprung Waste

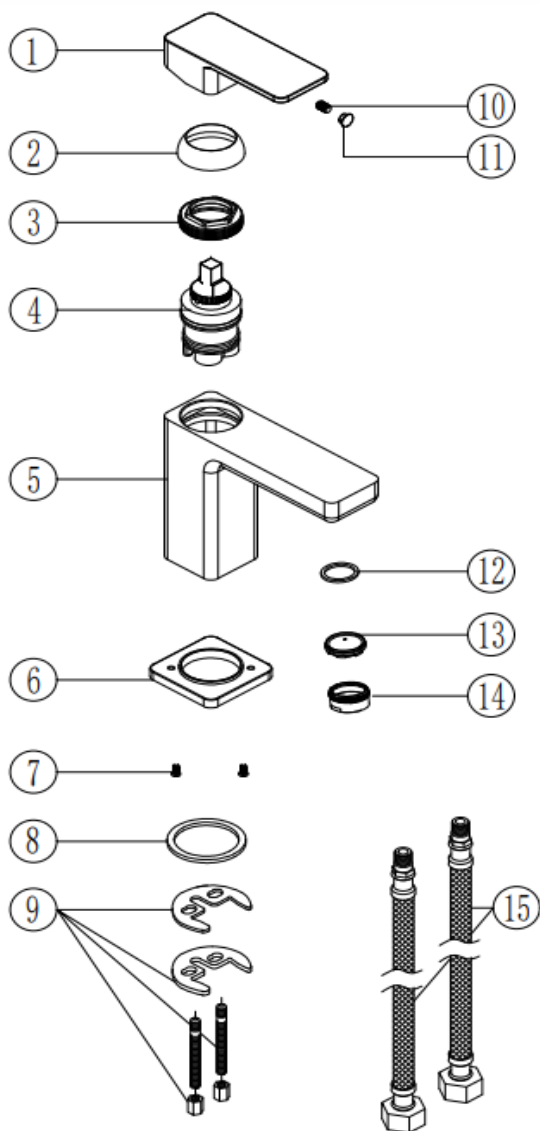
### Flow Rates (Litres per minute)

System Pressure	0.1 Bar	0.2 Bar	0.3 Bar	0.5 Bar	1.0 Bar	1.5 Bar	2.0 Bar	3.0 Bar	4.0 Bar	5.0 Bar
167.BWABM	-	3.6	-	6.6	9.7	12.0	13.9	17.2	-	-

All dimensions are in millimetres unless otherwise stated. The information contained on this page was correct at date of issue. Fitting dimensions are provided as a guide only. Some variation may occur due to manufacturing tolerances. We pursue a policy of continuing improvement in design and performance of our products and so reserve the right to change specifications without prior notice.

# 167.BWABM

THE TUNBRIDGE WELLS  
Brassware Co.



NO	Description	QTY
1	Handle	1
2	Collar	1
3	Lock nut	1
4	35mm high Cartridge	1
5	Body	1
6	Base plate	1
7	Screw	2
8	Washer	1
9	Horse-shoe fitting	1
10	Grab screw	1
11	Index cap	4
12	Washer	1
13	Aerator	1
14	Aerator cap	1
15	Flexi Tial	2
16	Waste	1

