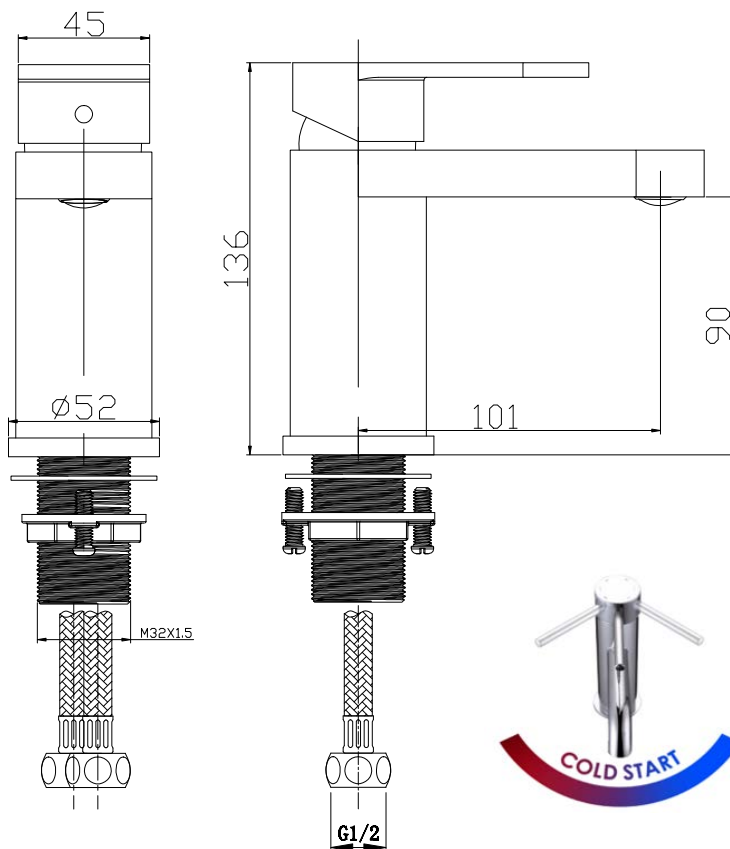


## Bayham Mono Basin Mixer (Inc. Waste)



**Product Code:** Chrome 167.BHBM  
**Construction:** Brass Body (CuZn40Pb2), EN CW617N (equivalent to BS CZ122) Zinc-alloy handle  
**Finishes:** Chrome (Ni : 8-12 µm, CR : 0.25-0.3 µm)

**Water Pressure:** Min. 0.2 bar, Max. 6.0 bar

**Plumbing Systems:** Suitable for all plumbing systems, Hot and Cold water pressure preferably balanced Max. supply pressure differential requirement no greater than 5:1

**Standards:** Complies with BS6920, BS EN200

**Certification:** WRAS (1710044) approved

**Cartridge:** 35mm cold start ceramic disc

**Aerator:** Neoperl adjustable slim aerator

**Fitting:** UK: M10 x 350mm G1/2" BSP female flexi tails  
 EU: M10 x 350mm G3/8" BSP female flexi tails

**Packaging:** 46 x 28 x 34cm / carton (8 boxes)  
 Dimension: 27 x 22 x 8cm / box  
 Weight: 1.81Kg / box

**Guarantee:** 10 years against manufacturing faults (Excluding serviceable parts)

**Additional Information:** Supplied with G1 1/4" Slotted Click Clack Waste

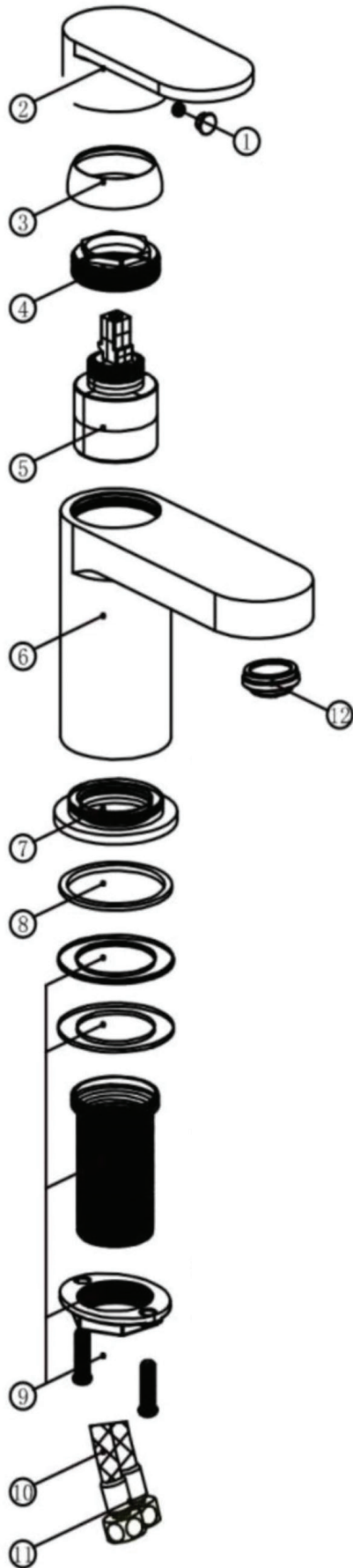
### Flow Rates (litres per minute)

System Pressure	0.1 Bar	0.2 Bar	0.3 Bar	0.5 Bar	1.0 Bar	1.5 Bar	2.0 Bar	3.0 Bar	4.0 Bar	5.0 Bar
167.BHBM	2.7	4.0	5.0	6.3	8.8	10.6	12.3	14.9	17.1	19.0

All dimensions are in millimetres unless otherwise stated. The information contained on this page was correct at date of issue. Fitting dimensions are provided as a guide only. Some variation may occur due to manufacturing tolerances. We pursue a policy of continuing improvement in design and performance of our products and so reserve the right to change specifications without prior notice.

# 167.BHBM

THE TUNBRIDGE WELLS  
Brassware Co.



12	P05-12	AERATOR	1
11	P05-11	HOSE (BLUE)	1
10	P05-10	HOSE (RED)	1
9	P05-09	TAIL (A SET)	1
8	P05-08	WASHER	1
7	P05-07	BASE PLATE	1
6	P05-06	BODY	1
5	P05-05	CARTRIDGE	1
4	P05-04	CARTRIDGE NUT	1
3	P05-03	SHROUD	1
2	P05-02	HANDLE	1
1	P05-01	CAP, GRUB	1
NO	CODE	NAME	QTY